



Trade supplier to the
kitchen & bedroom industry

July
2017

Technical Guide



WINDSOR

Please Note: The information shown in this literature is accurate as at the date of print/release shown on such information but it may be subject to changes after such date. Please therefore ensure that you are viewing the most current product available and check with us if you have any doubt about the suitability of the product or accuracy of the information shown.

IMPORTANT PLEASE NOTE:

The information contained in this literature is for illustrative purposes only to assist in choosing your desired kitchen. While we endeavour to keep the information up to date and correct we do not make any representations or warranties of any kind, express or implied, about the completeness, accuracy, reliability and suitability of the doors and products that appear in this literature.

We aim to showcase as many different items as possible and therefore some products have been installed and photographed purely to show as many of our product features as possible and they should not be taken as an example of how they are intended to be installed in real kitchen installations.

It is therefore the responsibility of the installer to check the corresponding manufacturer's installation information and the manufacturer's technical information to ensure this is up to date and to ensure that the products can be fitted in a way they are displayed and the products are suitable for your requirements.

We specifically exclude any liability in this regard unless the products are fitted in accordance with the specifications we supply and the manufacturer's installation recommendations are used in a way recommended by the manufacturer and in accordance with the manufacturer's technical information provided.

The information shown in this literature is accurate as at the date of print/release shown on such information but it may be subject to changes after such date. Please therefore ensure that you are viewing the most current product information available and check with us if you have any doubt about the suitability of the product or accuracy of the information shown.

We are proud that all our products that we sell are covered by a statutory warranty but this does not stop all our products naturally ageing overtime. As a result of this natural ageing process we are therefore unable to provide an identical colour finish to the existing products you have purchased from us with any products that we supply you from the same product line. In such event our liability will be limited to the purchase price paid for the product you are seeking to replace.

Due to the limitations on photographic reproduction, colours may differ slightly from the actual products shown. Please note that board matches listed with the doors are a suggestion only and better board matches may be available on the market. It is up to the individual to decide on its suitability.

WINDSOR IVORY



Ivory

Suggested MFC Board Match – Egger U104

Please note that board matches listed with the doors are a suggestion only and better board matches may be available on the market. It is up to the individual to decide on its suitability.

Features



Premium Timber

This product is made from real wood and real wood veneers.



Stock Door

This door range is available from stock.



Curved Doors & Accessories

External curved doors and accessories are available for this door range.

WINDSOR LIGHT GREY



Light Grey

Suggested MFC Board Match – Egger U708

Please note that board matches listed with the doors are a suggestion only and better board matches may be available on the market. It is up to the individual to decide on its suitability.

Features



Premium Timber

This product is made from real wood and real wood veneers.



Stock Door

This door range is available from stock.



Curved Doors & Accessories

External curved doors and accessories are available for this door range.

WINDSOR MUSSEL



Mussel

Suggested MFC Board Match – Egger U100

Please note that board matches listed with the doors are a suggestion only and better board matches may be available on the market. It is up to the individual to decide on its suitability.

Features



Premium Timber

This product is made from real wood and real wood veneers.



Stock Door

This door range is available from stock.



Curved Doors & Accessories

External curved doors and accessories are available for this door range.

WINDSOR OAK



Oak

Suggested MFC Board Match – Egger H3368

Please note that board matches listed with the doors are a suggestion only and better board matches may be available on the market. It is up to the individual to decide on its suitability.

Features



Premium Timber

This product is made from real wood and real wood veneers.



Stock Door

This door range is available from stock.



Curved Doors & Accessories

External curved doors and accessories are available for this door range.

WINDSOR STONE GREY



Stone Grey

Suggested MFC Board Match – Egger U727

Please note that board matches listed with the doors are a suggestion only and better board matches may be available on the market. It is up to the individual to decide on its suitability.

Features



Premium Timber

This product is made from real wood and real wood veneers.



Stock Door

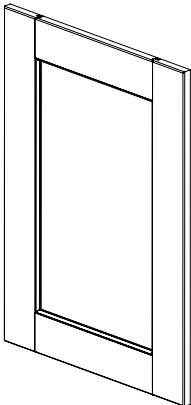
This door range is available from stock.



Curved Doors & Accessories

External curved doors and accessories are available for this door range.

WINDSOR

	Product Information	
	Product Description Product Colour Product Finish Base Material Base Thickness Covering Material Edging Material Edging Colour Reverse Colour Product Dimension	5 piece shaker door with flat centre panel and internal beading Available in 4 painted colours as well as oak Matt finish Solid ash frame (painted) / solid oak frame, veneered centre panel 20mm Painted (ash) / lacquered (oak) Painted (ash) / lacquered (oak) To match with face To match with face Standard door and drawer range
Additional Information <p>All end panels are veneered and edged all round. The grain direction is along the longest length on all panels except the 900 x 2100 which is along the shortest length. T&G end panels are T&G on one side and plain on the reverse.</p>		

DOOR/DRAWER & ACCESSORY DESCRIPTIONS

CODE	DESCRIPTION	CODE	DESCRIPTION
XXX11059	110 x 596mm door	XXX35579	355 x 796mm door
XXX14029	140 x 296mm door	XXX35589	355 x 896mm door
XXX14039	140 x 396mm door	XXX35599	355 x 996mm door
XXX14044	140 x 446mm door	XXX45059	450 x 596mm door
XXX14049	140 x 496mm door	XXX49059	490 x 596mm door
XXX14059	140 x 596mm door	XXX57029	570 x 296mm door
XXX14079	140 x 796mm door	XXX57039	570 x 396mm door
XXX14089	140 x 896mm door	XXX57044	570 x 446mm door
XXX14099	140 x 996mm door	XXX57049	570 x 496mm door
XXX17539	175 x 396mm door	XXX57059	570 x 596mm door
XXX17549	175 x 496mm door	XXX64559	645 x 596mm door
XXX17559	175 x 596mm door	XXX71514	715 x 147mm door
XXX28349	283 x 496mm door	XXX71525	715 x 256mm door
XXX28359	283 x 596mm door	XXX71527	715 x 277mm door
XXX28379	283 x 796mm door	XXX71529	715 x 296mm door
XXX28389	283 x 896mm door	XXX71531	715 x 313mm door
XXX28399	283 x 996mm door	XXX71534	715 x 346mm door
XXX35549	355 x 496mm door	XXX71539	715 x 396mm door
XXX35559	355 x 596mm door	XXX71544	715 x 446mm door

WINDSOR

DOOR/DRAWER & ACCESSORY DESCRIPTIONS

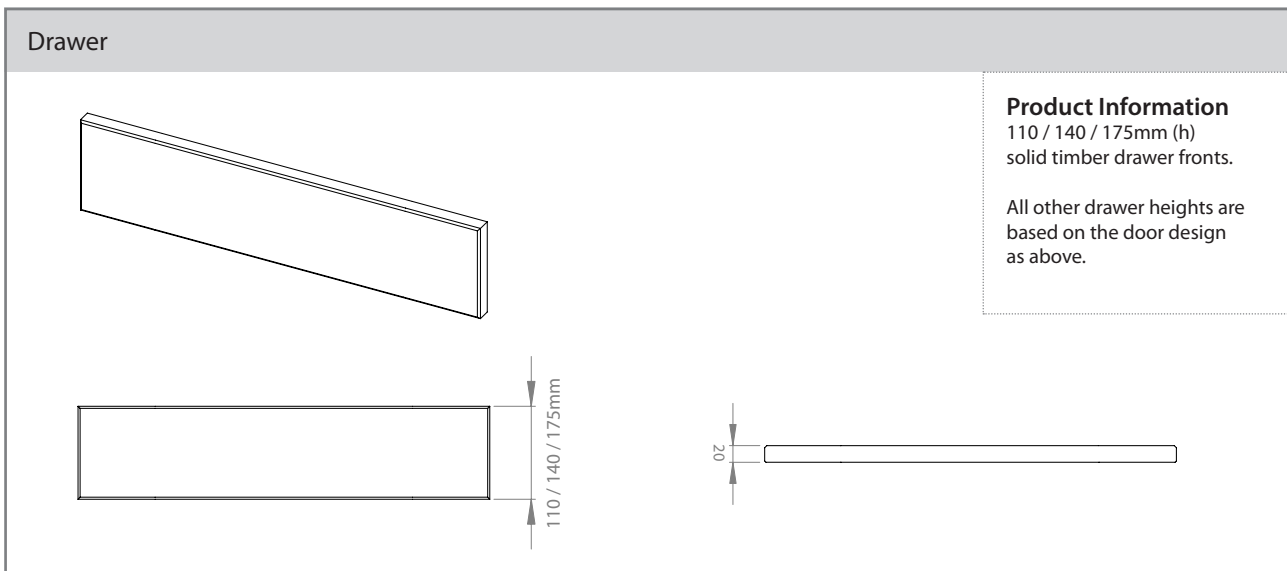
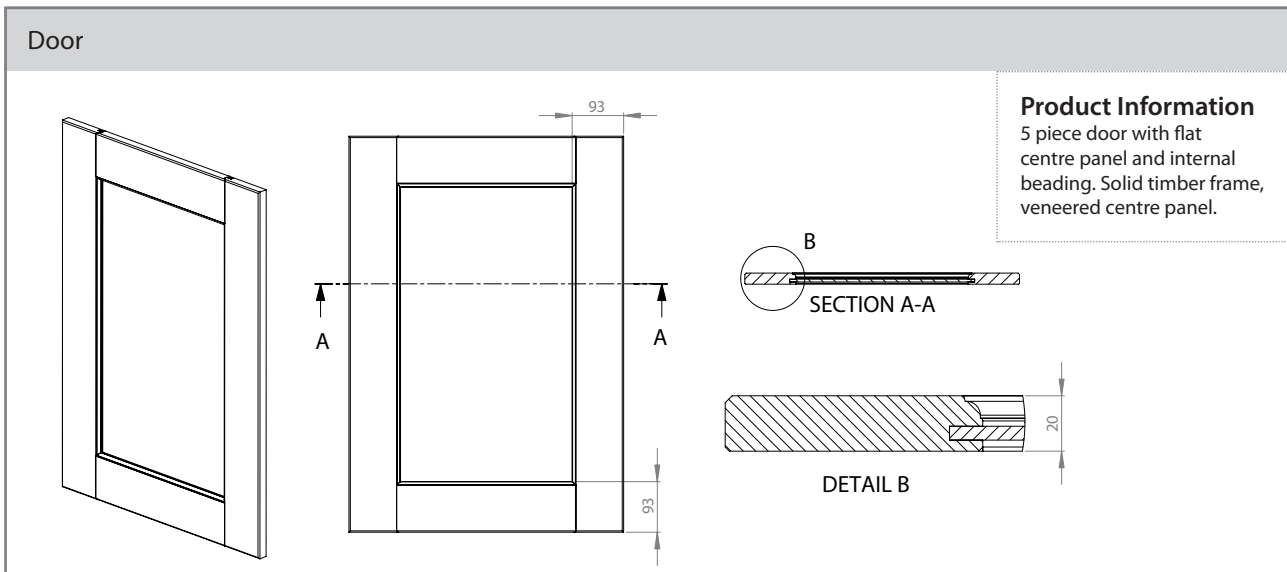
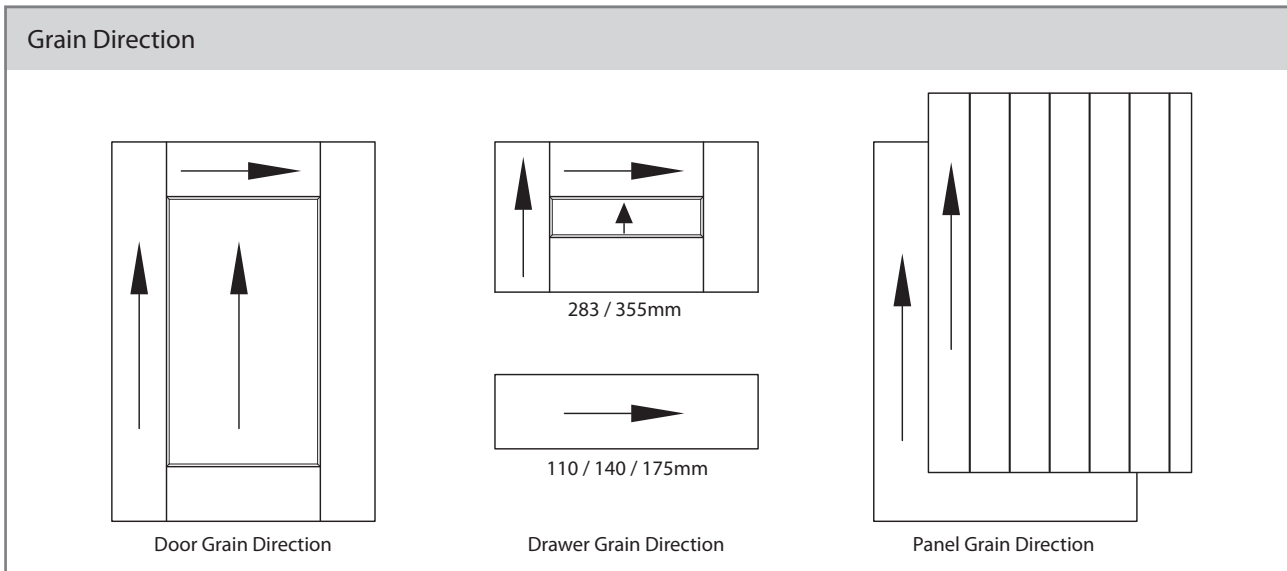
CODE	DESCRIPTION
XXX71549	715 x 496mm door
XXX71554	715 x 546mm door
XXX71559	715 x 596mm door
XXX89529	895 x 296mm door
XXX89539	895 x 396mm door
XXX89544	895 x 446mm door
XXX89549	895 x 496mm door
XXX89559	895 x 596mm door
XXX98059	980 x 596mm door
XXX124525	1245 x 256mm door
XXX124529	1245 x 296mm door
XXX124539	1245 x 396mm door
XXX124549	1245 x 496mm door
XXX124559	1245 x 596mm door
XXXF71539	715 x 396mm frame door
XXXF71549	715 x 496mm frame door
XXXF71559	715 x 596mm frame door
XXXF89549	895 x 496mm frame door
XXXF106049	1060 x 496mm frame door
XXXG71539	715 x 396mm clear glazed door
XXXG71549	715 x 496mm clear glazed door
XXXG71559	715 x 596mm clear glazed door
XXXG89549	895 x 496mm clear glazed door
XXXG106049	1060 x 496mm clear glazed door
XXXCURVE715	715mm curved door
XXXCURVE895	895mm curved door
XXXCURVE1245	1245mm curved door
XXXPLINTH	150 x 2800 x 19mm plinth
XXXCURVEPLINTH	Curved plinth
XXXCORNICESQ	Square end straight cornice / pelmet
XXXCURVECORNICES	Square end curved cornice / pelmet
XXXPELMETSOLID	3000mm tangent pelmet
XXXCURVEPELMET	Curved tangent pelmet
XXXCORNICESOLID	3000mm tangent cornice
XXXCURVECORNICE	Curved tangent cornice

CODE	DESCRIPTION
XXXCORNERPOST	715 x 70mm corner post (pair)
XXXPILLAR	2400 x 100 x 50mm straight end pillar
XXXRENDPILLAR	2400 x 100 x 50mm curved end pillar
XXXRENDCORNIC	Curved cornice block
XXXCOLUMN	950 x 80 x 80mm floor column
XXXPBARREL	950 x 100mm x 53mm barrel pilaster
XXXMANTELTOP	Mantel top
XXXMANTELSIDE	Mantel side
XXXMANTELSHELF	Mantel shelf
XXXMANTELBKT	Mantel corbel
XXXMANTELKIT	Mantel complete kit
XXXBOTTLE	1500mm bottle rack
XXXPLATE120	1200mm plate rack
XXXEND792350	792 x 350 x 20mm veneer end panel
XXXEND900650	900 x 650 x 20mm veneer end panel
XXXEND2400650	2400 x 650 x 20mm veneer end panel
XXXEND792350TG	792 x 350 x 20mm veneer T&G end panel
XXXEND900650TG	900 x 650 x 20mm veneer T&G end panel
XXXEND2400650TG	2400 x 650 x 20mm veneer T&G end panel
XXXEND9002100TG	900 x 2100 x 20mm veneer T&G end panel (nb. T&G and grain direction runs along the 900mm height)
XXXEND2400	2400 x 650 x 18mm fitters panel (not available in Oak)

When ordering please replace XXX with the prefix code below:

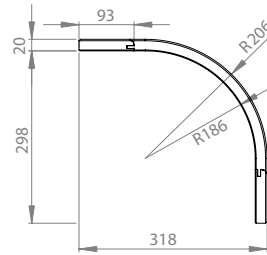
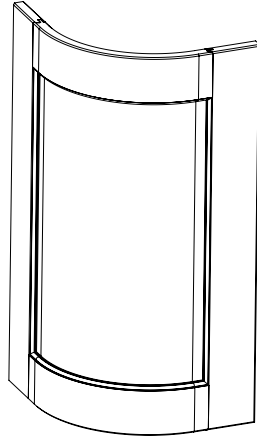
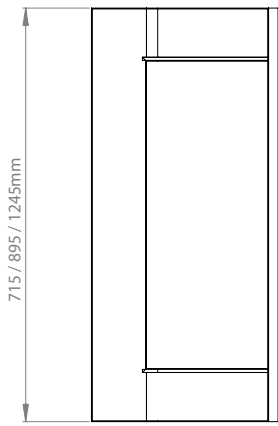
Prefix 260 = Mussel
 Prefix 261 = Ivory
 Prefix 262 = Stone Grey
 Prefix 263 = Light Grey
 Prefix 264 = Oak

WINDSOR



WINDSOR

Curved Door



Product Information

5 piece door with flat centre panel and internal beading. Solid timber frame, veneered centre panel.

Product Code

XXXCURVE715

715mm tall external curved door

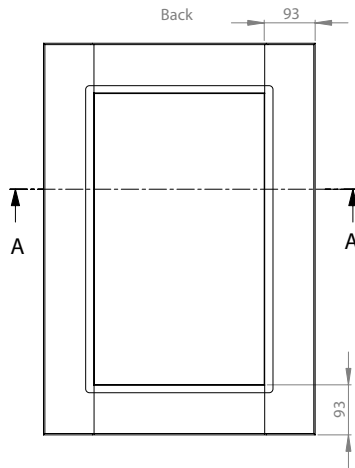
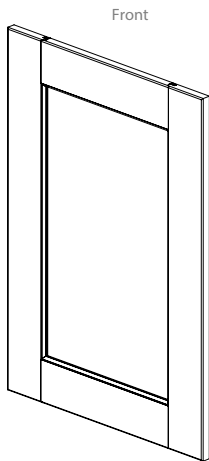
XXXCURVE895

895mm tall external curved door

XXXCURVE1245

1245mm tall external curved door

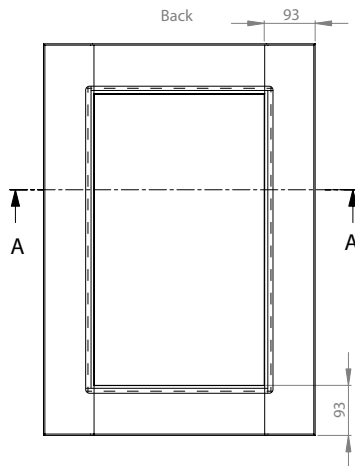
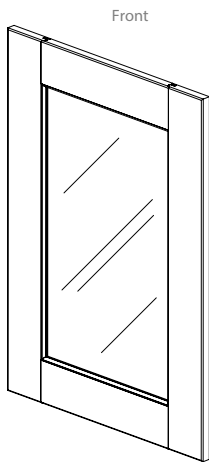
Frame Door



Product Information

Open frame solid timber door. Suitable for 4mm thick glass. Comes with 8 x 6mm solid timber beading, cut to size.

Glazed Door

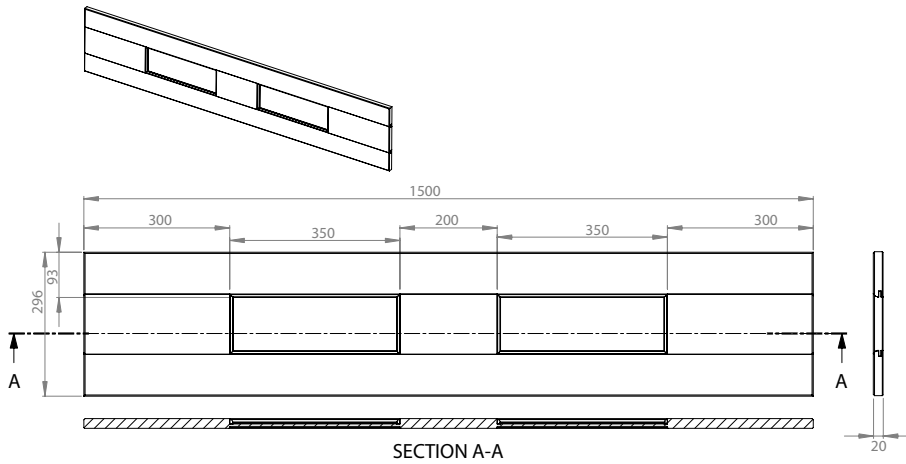


Product Information

Glazed solid timber door with 4mm clear toughened glass.

WINDSOR

Mantel Top



Product Information

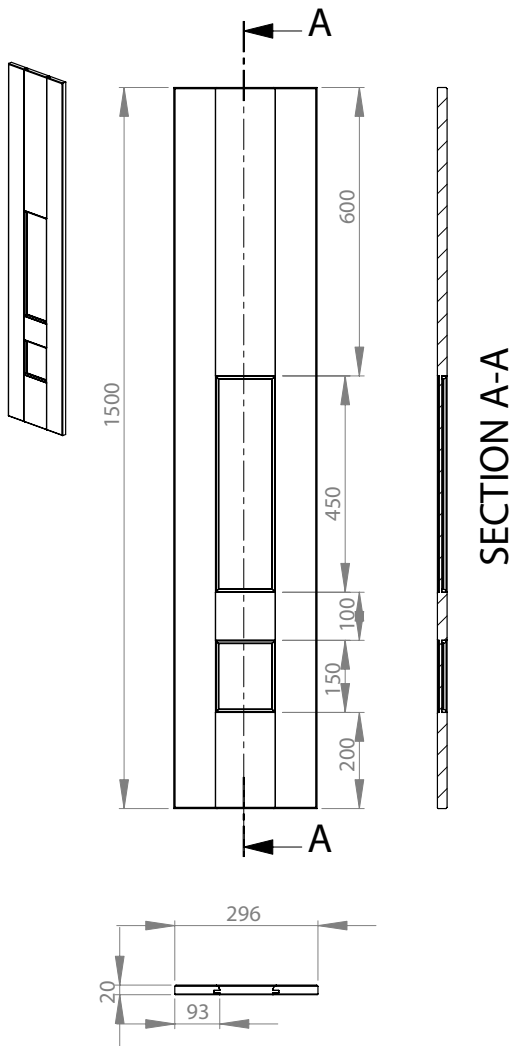
7 piece mantel top with flat centre panel and internal beading. Solid timber frame, veneered centre panel.

**Mantel Top
Product Code**
XXXMANTELTOP

**Mantel Kit
Product Code**
XXXMANTELKIT

- 1 x Mantel Top
- 2 x Mantel Side
- 2 x Mantel Corbel
- 1 x Mantel Shelf

Mantel Side



Product Information

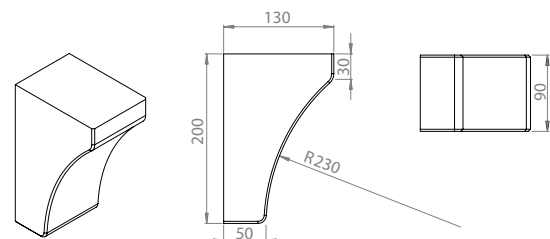
7 piece mantel side with flat centre panel and internal beading. Solid timber frame, veneered centre panel.

**Mantel Side
Product Code**
XXXMANTELSIDE

**Mantel Kit
Product Code**
XXXMANTELKIT

- 1 x Mantel Top
- 2 x Mantel Side
- 2 x Mantel Corbel
- 1 x Mantel Shelf

Mantel Corbel



Product Information
Solid timber Mantel Corbel.

**Mantel Corbel
Product Code**
XXXMANTELBKT

**Mantel Kit
Product Code**
XXXMANTELKIT

- 1 x Mantel Top
- 2 x Mantel Side
- 2 x Mantel Corbel
- 1 x Mantel Shelf

WINDSOR

Mantel Shelf

Product Information
Natural ash (painted) / oak veneered MDF.

Mantel Shelf
Product Code
XXXMANTELSHELF

Mantel Kit
Product Code
XXXMANTELKIT

- 1 x Mantel Top
- 2 x Mantel Side
- 2 x Mantel Corbel
- 1 x Mantel Shelf

Mantel Complete Kit

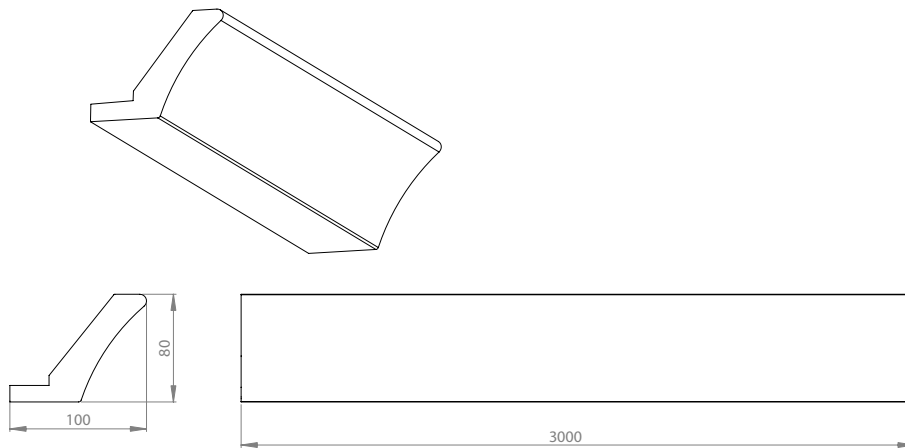
Product Information
1 x Mantel Top (1500 x 296mm)
2 x Mantel Side (296 x 1500mm)
2 x Mantel Corbel (90 x 200mm)
1 x Mantel Shelf (2150 x 200mm)

Product Code
XXXMANTELKIT

To finish we recommend Tangent Cornice, code: XXXCORNICESOLID.

WINDSOR

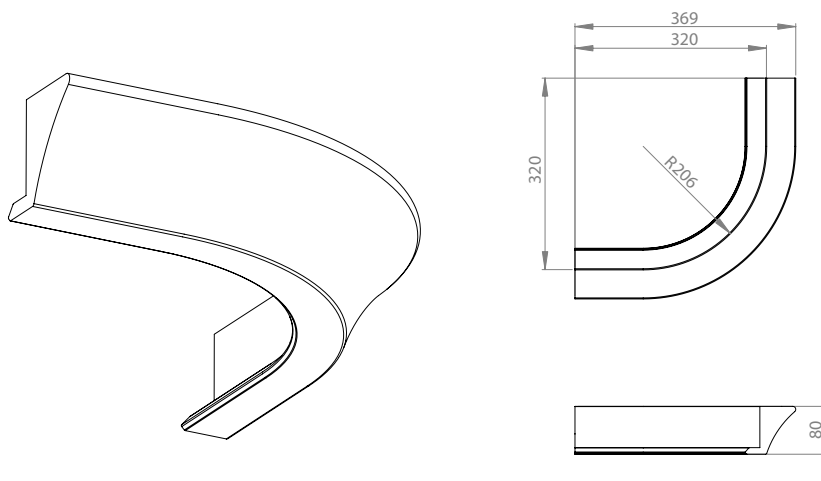
Cornice



Product Information
MDF with solid timber face.

Product Code
XXXCORNICESOLID

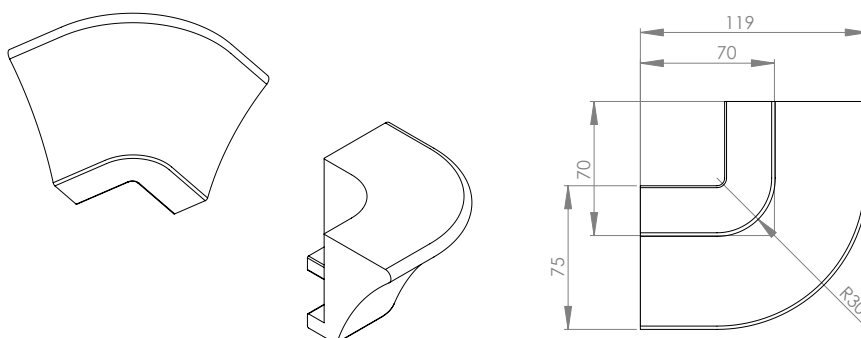
Cornice Curved



Product Information
MDF with solid timber face.

Product Code
XXXCURVECORNICE

Curved Cornice Block



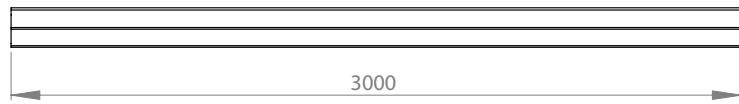
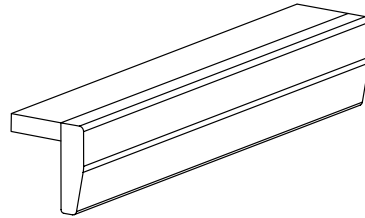
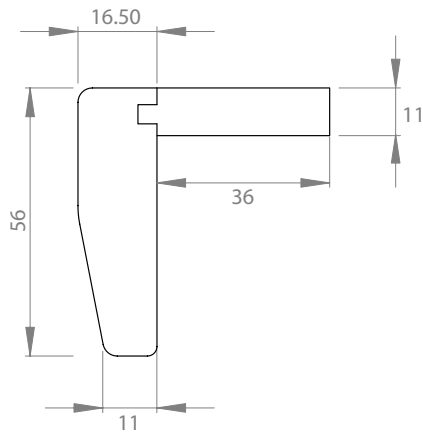
Product Information
Solid timber

Product Code
XXXRENDCORNICE

This item can be used
in conjunction with the
Curved End Pillar
(code: XXXRENDPILLAR).

WINDSOR

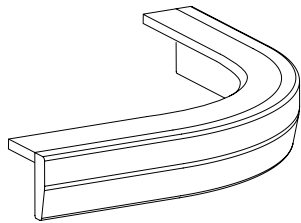
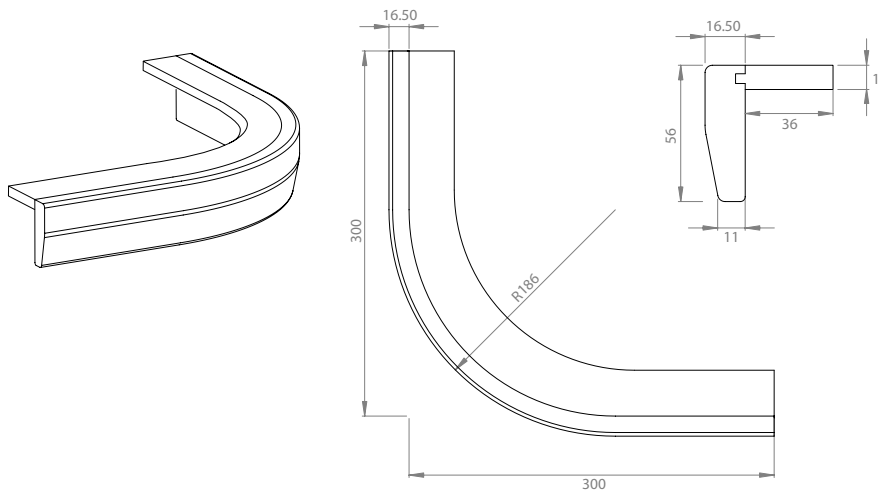
Tangent Pelmet



Product Information
Solid timber with MDF base.

Product Code
XXXPELMETSOLID

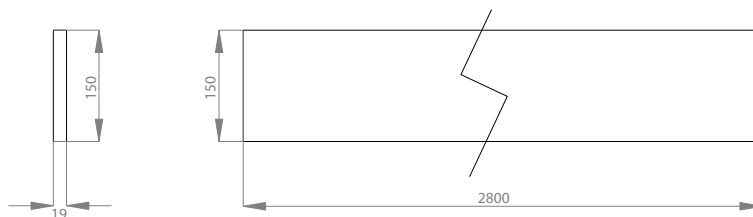
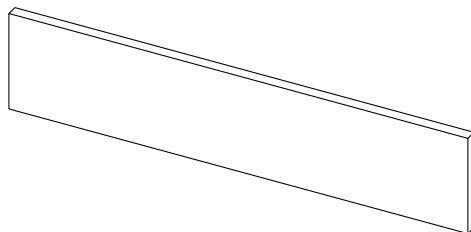
Curved Tangent Pelmet



Product Information
Solid timber with MDF base.

Product Code
XXXCURVEDPELMET

Plinth

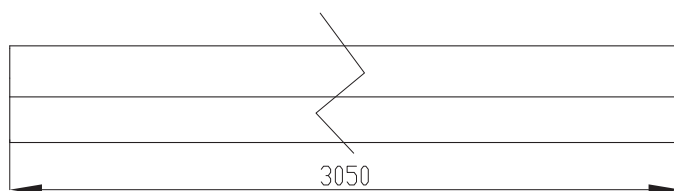
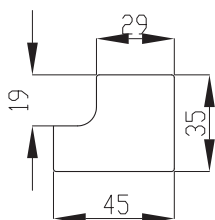
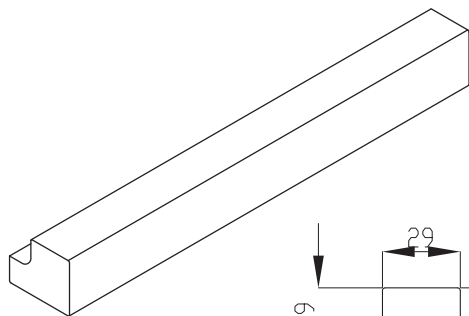


Product Information
Natural ash (painted) / oak veneered MDF.

Product Code
XXXPLINTH

WINDSOR

Square End Straight Cornice / Pelmet



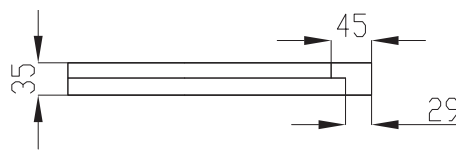
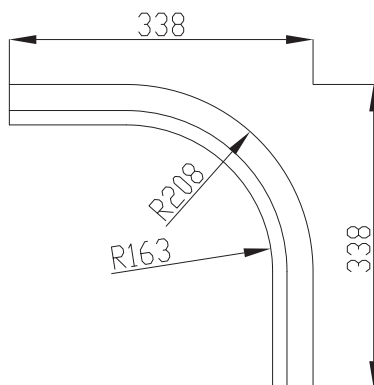
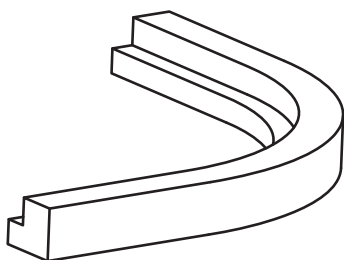
Product Information

Oak veneered ply laminate.
Oak is laquered, solid colours
are painted.

Product Code

XXXCORNICESQ

Square End Curved Cornice / Pelmet



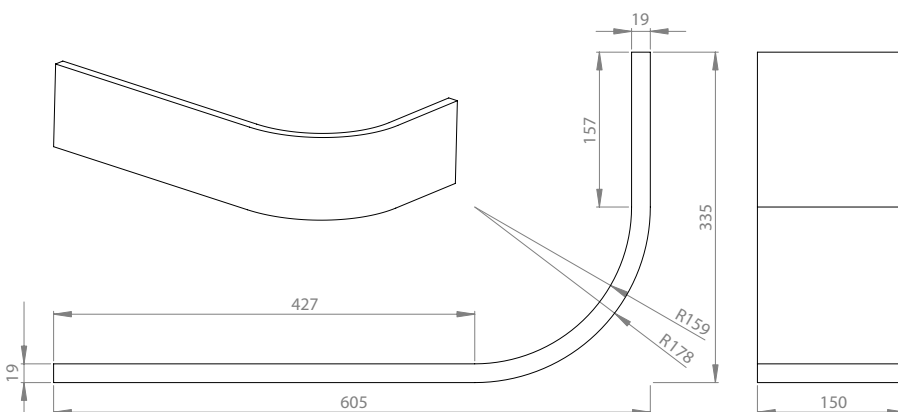
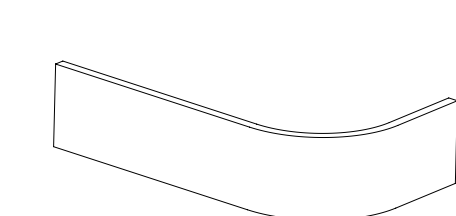
Product Information

Oak veneered ply laminate.
Oak is laquered, solid colours
are painted.

Product Code

XXXCURVECORNICES

Curved Plinth



Product Information

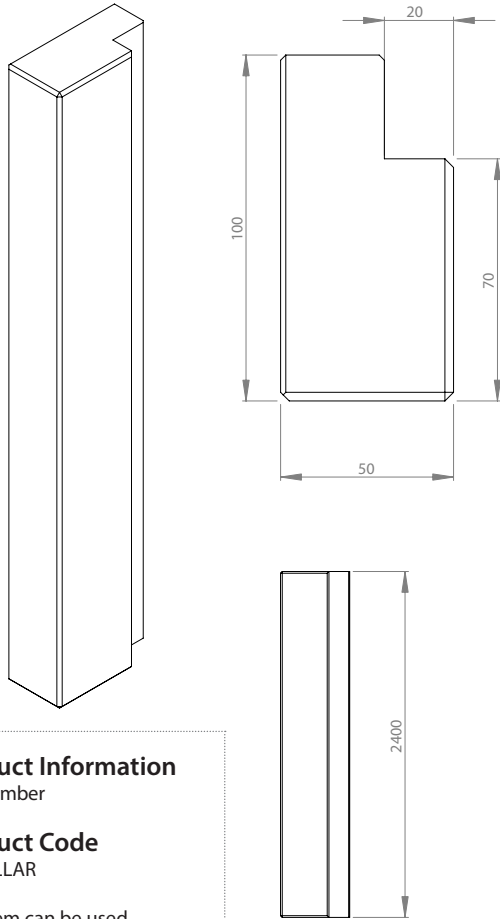
Natural ash (painted) / oak
veneered MDF.

Product Code

XXXCURVEPLINTH

WINDSOR

Straight End Pillar

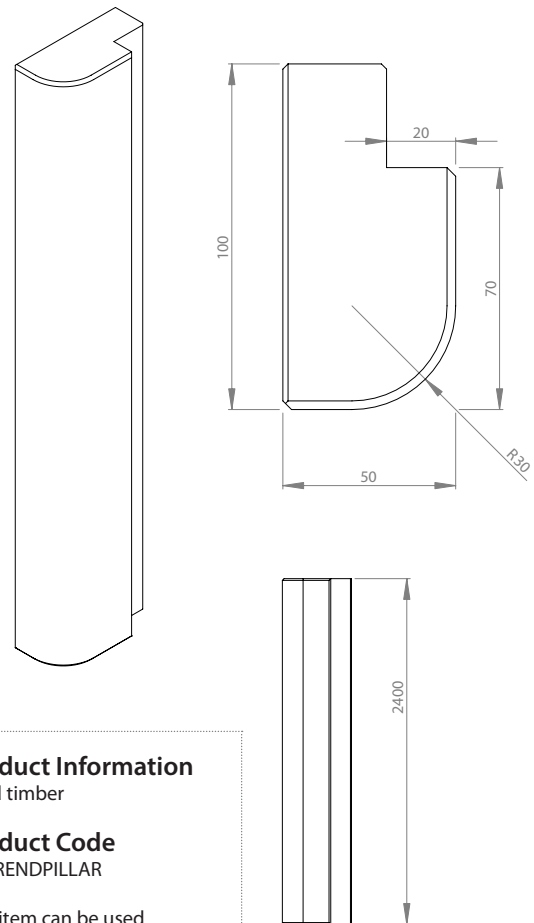


Product Information
Solid timber

Product Code
XXXPILLAR

This item can be used in conjunction with an End Panel.

Curved End Pillar



Product Information
Solid timber

Product Code
XXXRENDPILLAR

This item can be used in conjunction with an End Panel as well as the Curved Cornice Block (code: XXXRENDCORNICE).

WINDSOR

Corner Posts

Sold as a pair

Product Information
Solid timber

Product Code
XXXCORNERPOST

Floor column

Product Information
Solid timber

Product Code
XXXCOLUMN

Plate Rack 1200

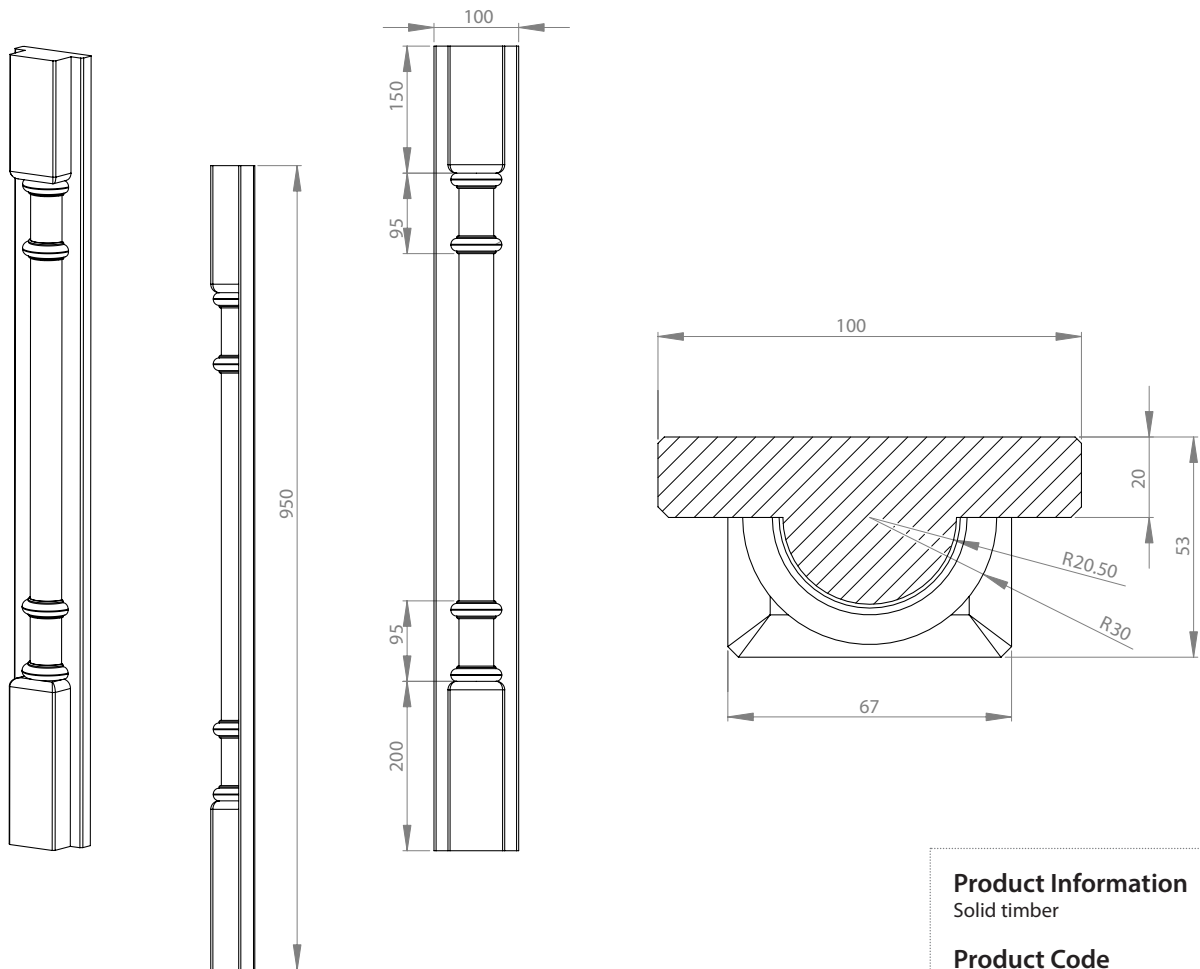
Product Information
Solid timber

Product Code
XXXPLATE120

SECTION A-A

WINDSOR

Barrel Pilaster



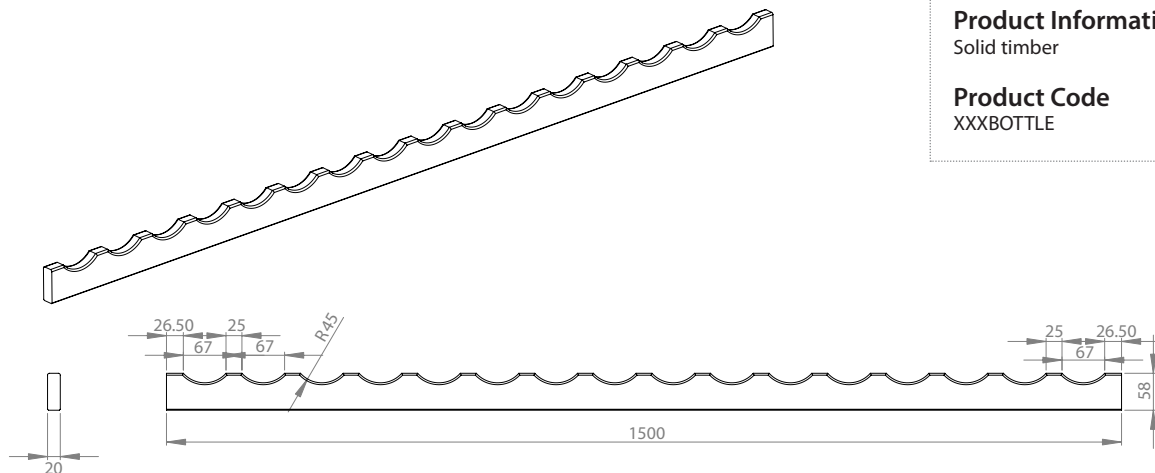
Product Information

Solid timber

Product Code

XXXPBARREL

Bottle Rack



Product Information

Solid timber

Product Code

XXXBOTTLE



Contact us

Telephone 0161 336 3636
Fax 0161 336 3638
Free-Fax 0808 144 2422
Email sales@tkc.co.uk
Web www.tkc.co.uk
Order www.trade.tkc.co.uk



Address

Unit 3
Cranberry Drive
Denton
Manchester
M34 3UL

Area Sales

Scotland 07770 017422
North East 07766 021114
Yorkshire 07976 643485
North West 07584 241838
Merseyside, North Wales & West Cheshire 07970 923474
East Midlands 07770 017440
West Midlands 07899 948786
South West & South Wales 07799 320910
London & Home Counties (North) 07823 442668
London & Home Counties (South) 07792 078830
Northern Ireland 07436 160980

All goods are sold subject to our Terms and Conditions of Sale which are available upon request.