



Trade supplier to the
kitchen & bedroom industry

Date of
print/release

June
2021

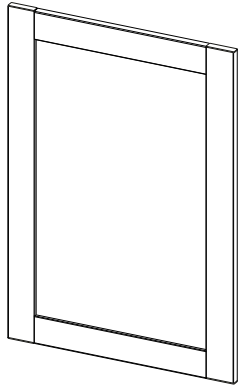
Technical Guide



STRATTO

Please Note: The information shown in this literature is accurate as at the date of print/release shown on such information but it may be subject to changes after such date. Please therefore ensure that you are viewing the most current product available and check with us if you have any doubt about the suitability of the product or accuracy of the information shown.

STRATTO DOOR INFO

	Product Information	
	Product Description: Product Colour: Product Finish: Base Material: Base Thickness: Covering Material: Edging Material: Edging Colour: Reverse Colour: Product Dimension:	5 piece slim frame shaker door with flat centre panel & feature joints Available in 4 stock colours Matt smooth finish MDF 18mm Foil wrapped Foil wrapped, matches face. Top & bottom of stiles are ABS edged. Matches face Matches face Standard door and drawer range. Also available for our Vero true handleless profiles.
Additional Information End panels: Edged all round. Plinths: Foil wrapped on face and long edges.		

IMPORTANT PLEASE NOTE:

While we endeavour to keep the information up to date and correct we do not make any representations or warranties of any kind, express or implied, about the completeness, accuracy, reliability and suitability of the doors and products that appear in this literature.

We aim to showcase as many different items as possible in our kitchen images and therefore some products have been installed and photographed purely to show as many of our product features as possible and they should not be taken as an example of how they are intended to be installed in real kitchen installations.

It is the responsibility of the installer to check the corresponding manufacturer's installation information and the manufacturer's technical information to ensure this is up to date and to ensure that the products can be fitted in a way they are displayed and the products are suitable for your requirements.

We specifically exclude any liability in this regard unless the products are fitted in accordance with the specifications we supply and the manufacturer's installation recommendations are used in a way recommended by the manufacturer and in accordance with the manufacturer's technical information provided.

The information shown in this literature is accurate as at the date of release but it may be subject to changes after such date. Please therefore ensure that you are viewing the most current product information available and check with us if you have any doubt about the suitability of the product or accuracy of the information shown.

We are proud that all our products that we sell are covered by a statutory warranty but this does not stop all our products naturally ageing overtime. **As a result of this natural ageing process we are therefore unable to provide an identical colour finish to the existing products you have purchased from us with any products that we supply you from the same product line.** In such event our liability will be limited to the purchase price paid for the product you are seeking to replace.

Due to the limitations on photographic reproduction, colours may differ slightly from the actual products shown.

Please note that board matches listed with the doors are a suggestion only and better board matches may be available on the market. It is up to the individual to decide on its suitability.

STRATTO COLOURS/VERO OPTION



WHITE

Prefix code: 460

Suggested MFC Board Match:

Egger W1000/RAL9016



LIGHT GREY

Prefix code: 461

Suggested MFC Board Match:

Egger U708/RAL 7047



DUST GREY

Prefix code: 462

Suggested MFC Board Match:

Egger U732/RAL 7037



INDIGO

Prefix code: 464

Suggested MFC Board Match:

Egger U599/RAL 5004



VERO OPTION

Stratto is also available for our Vero true handleless rails.

Base unit doors: 685mm height to suit Vero profiles.

Drawer fronts: 160mm & 325mm height to suit Vero profiles.

Wall/Full height larder & appliance housing doors: Doors are same size as standard doors.



Stratto Light Grey & Dust Grey with Graphite Vero rail



Stratto Light Grey & Indigo with Silver Vero rail



Stratto White with Rose Gold Vero rail

Vero Rail Colours



Silver
Prefix code: 100



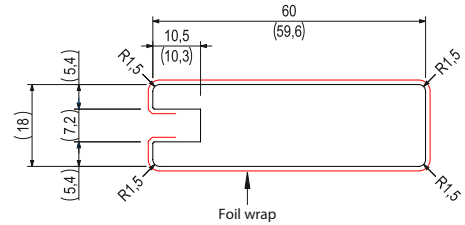
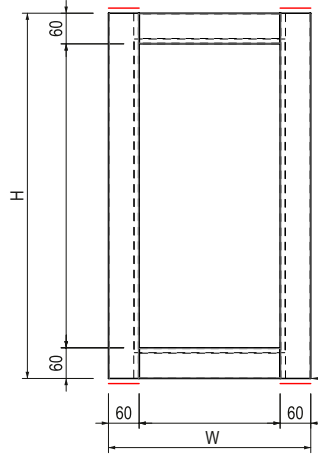
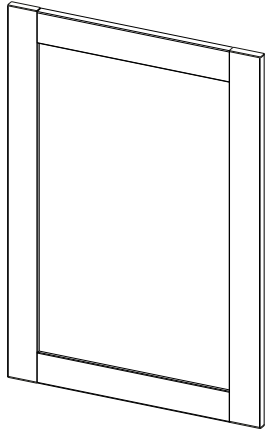
Rose Gold
Prefix code: 101



Graphite
Prefix code: 102

STRATTO DIMENSIONS

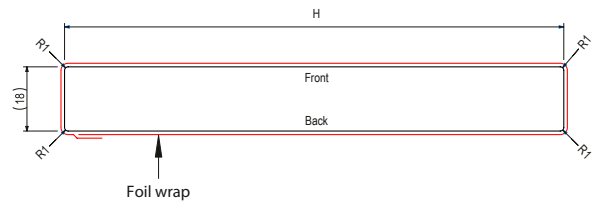
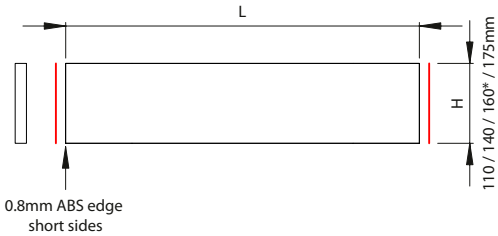
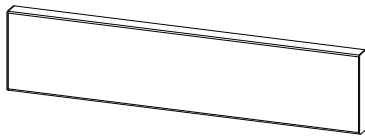
Door



0.8mm ABS edge
top & bottom of stiles

Product Information
5 piece foil wrapped MDF door with flat centre panel & feature joints.

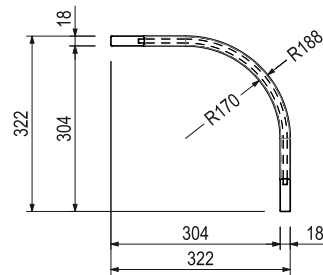
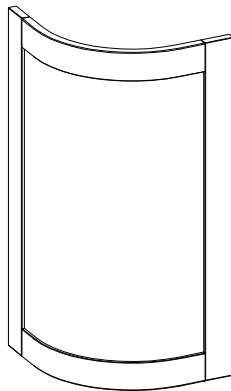
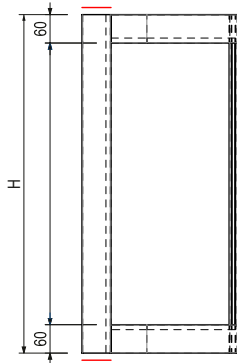
Drawer Front



Product Information
110 / 140 / 160* / 175mm (h)
Foil wrapped MDF, no feature joints.
All other drawer heights are based on the door design as above.

* Vero size

Curved Door



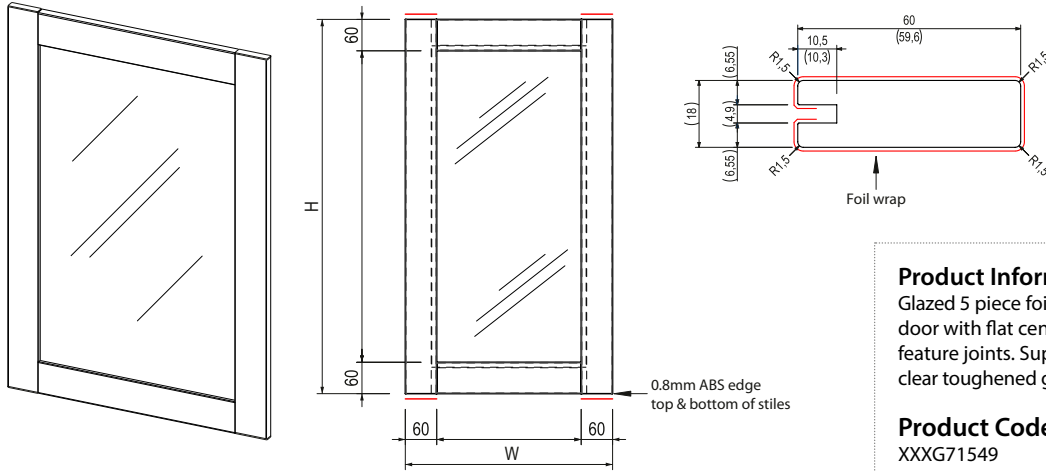
0.8mm ABS edge
top & bottom of stiles

Product Information
5 piece foil wrapped MDF door with flat centre panel & feature joints.

Product Code
XXXCURVE

STRATTO DIMENSIONS

Glazed Door



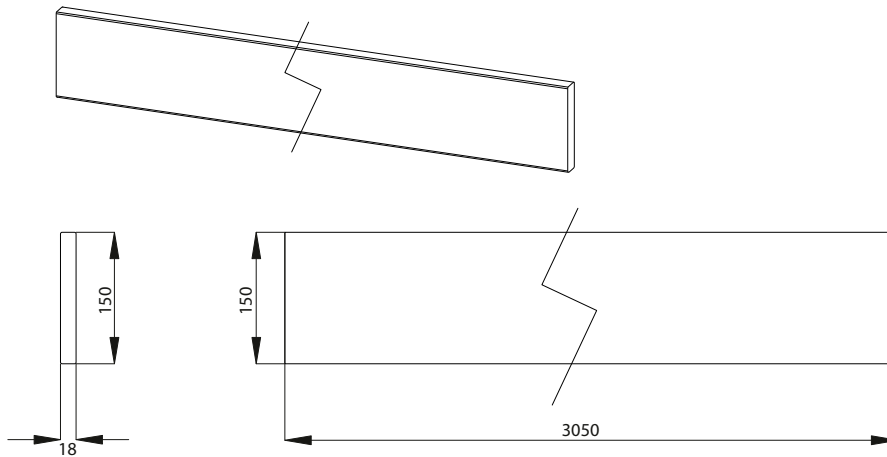
Product Information

Glazed 5 piece foil wrapped MDF door with flat centre panel & feature joints. Supplied with 4mm clear toughened glass.

Product Codes

XXXG71549

Plinth



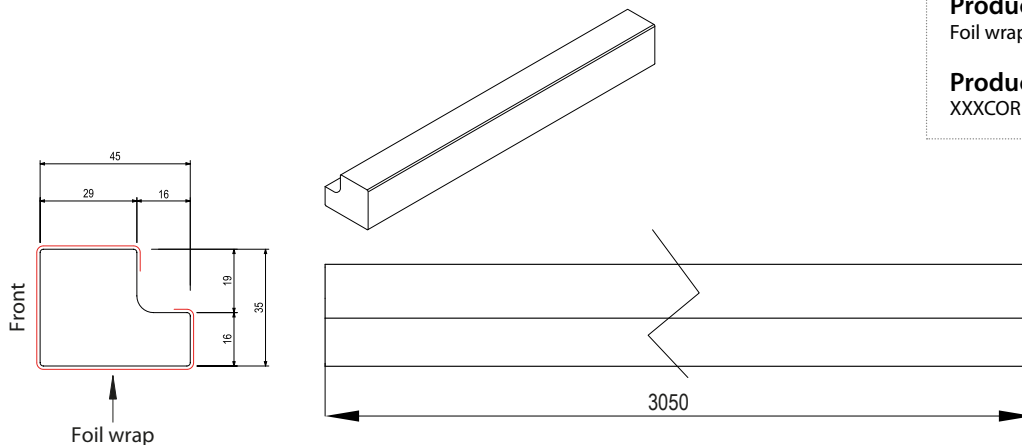
Product Information

Chipboard, foil wrapped on face and long edges.

Product Code

XXXPLINTH

Square End Straight Cornice/Pelmet



Product Information

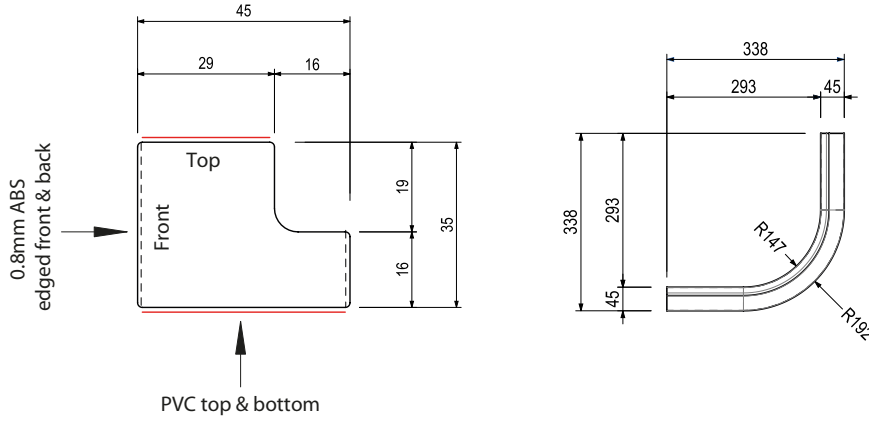
Foil wrapped MDF.

Product Code

XXXCORNICESQ

STRATTO DIMENSIONS

Square End Curved Cornice / Pelmet

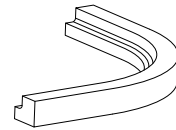


Product Information

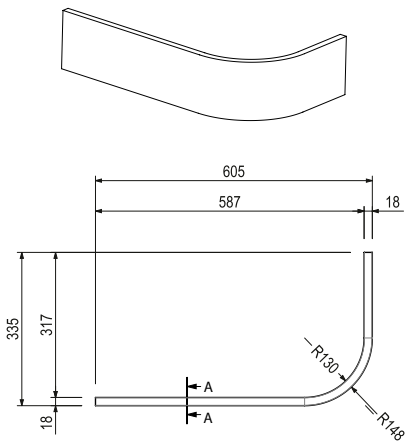
0.8mm ABS edging front & back, PVC top and bottom. MDF core.

Product Code

XXXCURVECORNICES



Curved Plinth

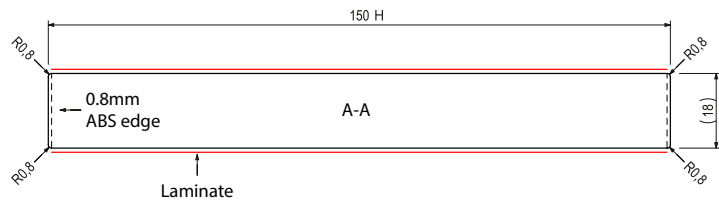


Product Information

Foil front to match door, laminate back, top & bottom. 0.8mm ABS edging, MDF core.

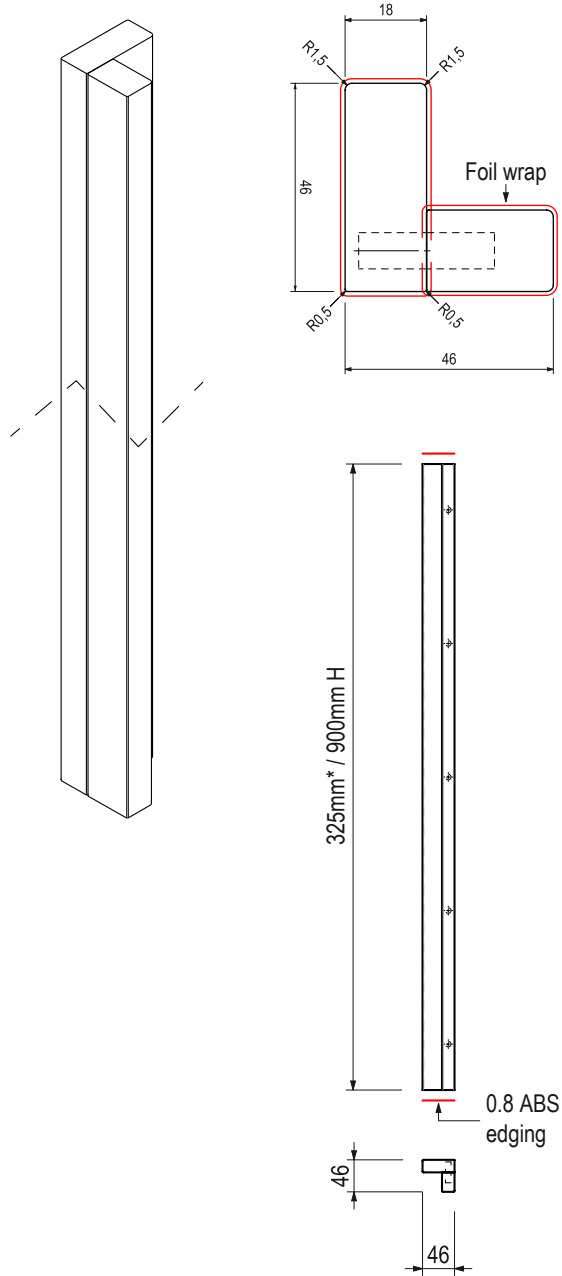
Product Code

XXXCURVEPLINTH



STRATTO DIMENSIONS

External Corner Post



Product Information

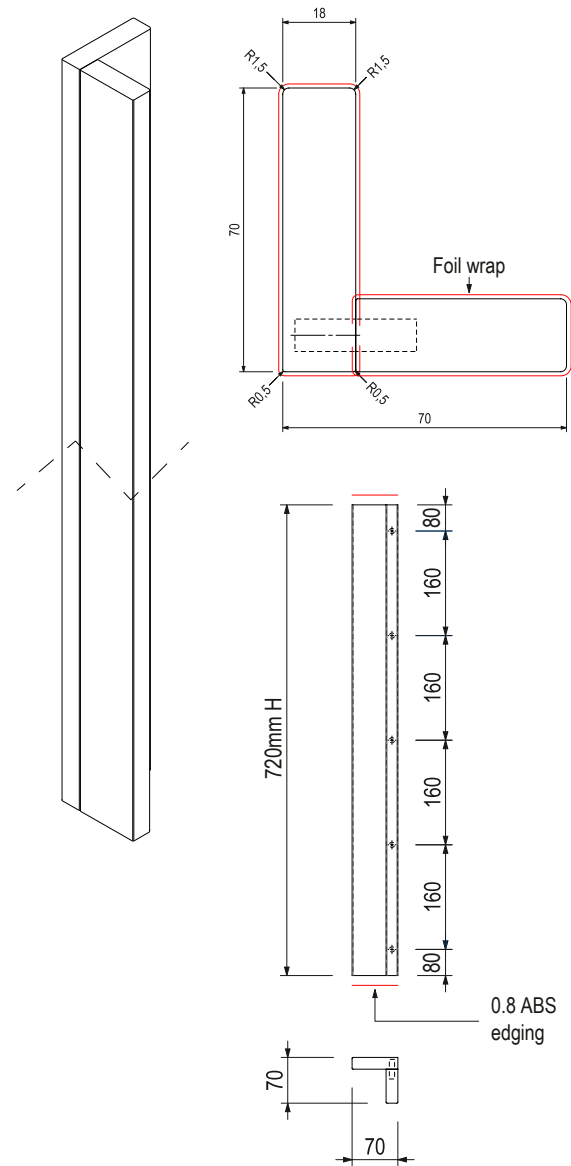
Foil wrapped MDF, 0.8mm ABS edge top & bottom.

Product Code

XXXCPEXTERNAL325*
XXXCPEXTERNAL900

* Vero size

Internal Corner Post



Product Information

Foil wrapped MDF, 0.8mm ABS edge top & bottom

Product Code

XXXCPSLAB