



Trade supplier to the
kitchen & bedroom industry

Date of
print/release

July
2017

Technical Guide



LUCENTE MATT

Please Note: The information shown in this literature is accurate as at the date of print/release shown on such information but it may be subject to changes after such date. Please therefore ensure that you are viewing the most current product available and check with us if you have any doubt about the suitability of the product or accuracy of the information shown.

IMPORTANT PLEASE NOTE:

The information contained in this literature is for illustrative purposes only to assist in choosing your desired kitchen. While we endeavour to keep the information up to date and correct we do not make any representations or warranties of any kind, express or implied, about the completeness, accuracy, reliability and suitability of the doors and products that appear in this literature.

We aim to showcase as many different items as possible and therefore some products have been installed and photographed purely to show as many of our product features as possible and they should not be taken as an example of how they are intended to be installed in real kitchen installations.

It is therefore the responsibility of the installer to check the corresponding manufacturer's installation information and the manufacturer's technical information to ensure this is up to date and to ensure that the products can be fitted in a way they are displayed and the products are suitable for your requirements.

We specifically exclude any liability in this regard unless the products are fitted in accordance with the specifications we supply and the manufacturer's installation recommendations are used in a way recommended by the manufacturer and in accordance with the manufacturer's technical information provided.

The information shown in this literature is accurate as at the date of print/release shown on such information but it may be subject to changes after such date. Please therefore ensure that you are viewing the most current product information available and check with us if you have any doubt about the suitability of the product or accuracy of the information shown.

We are proud that all our products that we sell are covered by a statutory warranty but this does not stop all our products naturally ageing overtime. As a result of this natural ageing process we are therefore unable to provide an identical colour finish to the existing products you have purchased from us with any products that we supply you from the same product line. In such event our liability will be limited to the purchase price paid for the product you are seeking to replace.

Due to the limitations on photographic reproduction, colours may differ slightly from the actual products shown. Please note that board matches listed with the doors are a suggestion only and better board matches may be available on the market. It is up to the individual to decide on its suitability.

LUCENTE MATT ANTHRACITE



Suggested MFC Board Match – Egger U961/Kronospan 0164

Please note that board matches listed with the doors are a suggestion only and better board matches may be available on the market. It is up to the individual to decide on its suitability.

Features



Made in Italy

This product is made in Italy.



Stock Door

This door range is available from stock.



Made to Measure Sizes

Made to measure sizes are also available for this range.



Curved Doors & Accessories

External curved doors and accessories are available for this door range.

LUCENTE MATT CASHMERE



Suggested MFC Board Match – Egger U702

Please note that board matches listed with the doors are a suggestion only and better board matches may be available on the market. It is up to the individual to decide on its suitability.

Features



Made in Italy

This product is made in Italy.



Stock Door

This door range is available from stock.



Made to Measure Sizes

Made to measure sizes are also available for this range.



Curved Doors & Accessories

External curved doors and accessories are available for this door range.

LUCENTE MATT CREAM



Suggested MFC Board Match – Egger U104

Please note that board matches listed with the doors are a suggestion only and better board matches may be available on the market. It is up to the individual to decide on its suitability.

Features



Made in Italy

This product is made in Italy.



Stock Door

This door range is available from stock.



Made to Measure Sizes

Made to measure sizes are also available for this range.



Curved Doors & Accessories

External curved doors and accessories are available for this door range.

LUCENTE MATT LIGHT GREY



Suggested MFC Board Match – Egger U708

Please note that board matches listed with the doors are a suggestion only and better board matches may be available on the market. It is up to the individual to decide on its suitability.

Features



Made in Italy

This product is made in Italy.



Stock Door

This door range is available from stock.



Made to Measure Sizes

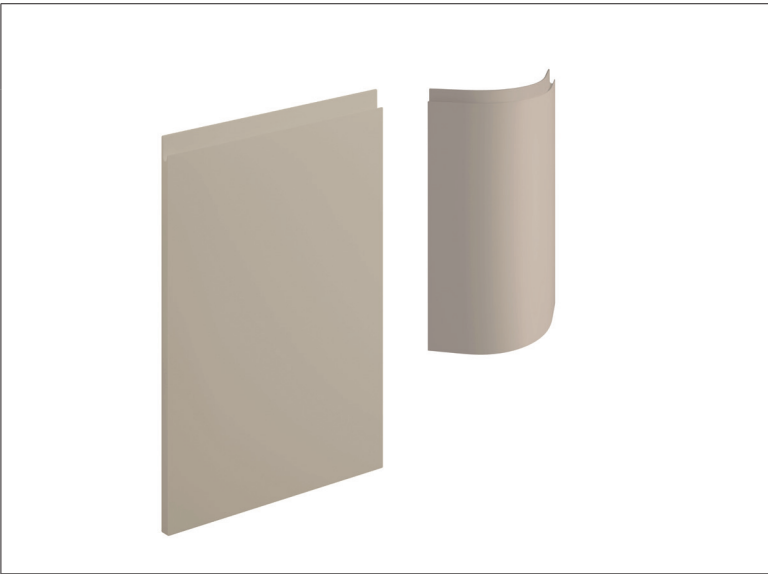
Made to measure sizes are also available for this range.



Curved Doors & Accessories

External curved doors and accessories are available for this door range.

LUCENTE MATT STONE



Suggested MFC Board Match – Egger U156

Please note that board matches listed with the doors are a suggestion only and better board matches may be available on the market. It is up to the individual to decide on its suitability.

Features



Made in Italy

This product is made in Italy.



Stock Door

This door range is available from stock.



Made to Measure Sizes

Made to measure sizes are also available for this range.



Curved Doors & Accessories

External curved doors and accessories are available for this door range.

LUCENTE MATT WHITE



Suggested MFC Board Match – Egger W1000

Please note that board matches listed with the doors are a suggestion only and better board matches may be available on the market. It is up to the individual to decide on its suitability.

Features



Made in Italy

This product is made in Italy.



Stock Door

This door range is available from stock.



Made to Measure Sizes

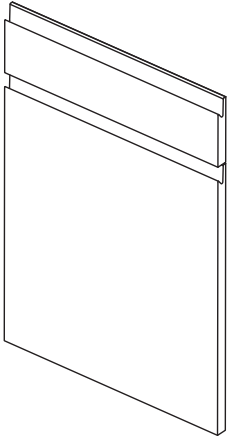
Made to measure sizes are also available for this range.



Curved Doors & Accessories

External curved doors and accessories are available for this door range.

LUCENTE MATT

	Product Information	
	Product Description Product Colour Product Finish Base Material Base Thickness Covering Material Edging Colour Reverse Colour Product Dimension	Slab door with 'J' shaped groove Anthracite / Cashmere / Cream / Light Grey / Stone / White Matt MDF 22mm Anthracite / Cashmere / Cream / Light Grey / Stone / White polyurethane paint over a polyester primer. Matching with face Anthracite / Cream / Light Grey / White matching with face (melamine, matt finish). Cashmere / Stone matched with similar colour (melamine, matt finish). Standard door and drawer range

Additional Information

Accessories are painted. Please note, white and cream plinths (330PLINTH & 335PLINTH) have white ABS edging. All other plinth colours have painted edges.

No glazed option available (only frame doors).

Made to order sizes are available for Lucente, please contact the made to measure department for further information.



LUCENTE MATT

DOOR/DRAWER & ACCESSORY DESCRIPTIONS

CODE	DESCRIPTION
XX11059	110 x 596mm slab oven filler
XX14029	140 x 296mm door
XX14039	140 x 396mm door
XX14044	140 x 446mm door
XX14049	140 x 496mm door
XX14059	140 x 596mm door
XX14079	140 x 796mm door
XX14089	140 x 896mm door
XX14099	140 x 996mm door
XX17539	175 x 396mm door
XX17549	175 x 496mm door
XX17559	175 x 596mm door
XX28349	283 x 496mm door
XX28359	283 x 596mm door
XX28379	283 x 796mm door
XX28389	283 x 896mm door
XX28399	283 x 996mm door
XX35549	355 x 496mm door
XXSB35549	355 x 496mm slab door (for bi-fold)*
XX35559	355 x 596mm door
XXSB35559	355 x 596mm slab door (for bi-fold)*
XX35579	355 x 796mm door
XXSB35579	355 x 796mm slab door (for bi-fold)*
XX35589	355 x 896mm door
XXSB35589	355 x 896mm slab door (for bi-fold)*
XX35599	355 x 996mm door

CODE	DESCRIPTION
XXSB35599	355 x 996mm slab door (for bi-fold)*
XX45059	450 x 596mm door
XX49059	490 x 596mm door
XX57029	570 x 296mm door
XX57039	570 x 396mm door
XX57044	570 x 446mm door
XX57049	570 x 496mm door
XX57059	570 x 596mm door
XX64559	645 x 596mm door
XX71514	715 x 147mm door
XX71525	715 x 256mm door
XX71527R1	715 x 273mm door (corner wall door RH)**
XX71527L1	715 x 273mm door (corner wall door LH)**
XX71529	715 x 296mm door
XX71531R	715 x 313mm door (corner base door RH)**
XX71531L	715 x 313mm door (corner base door LH)**
XX71534	715 x 345mm door
XX71539	715 x 396mm door
XX71544	715 x 446mm door
XX71549	715 x 496mm door
XX71554	715 x 546mm door
XX71559	715 x 596mm door
XX89529	895 x 296mm door
XX89539	895 x 396mm door
XX89544	895 x 446mm door
XX89549	895 x 496mm door

LUCENTE MATT

DOOR/DRAWER & ACCESSORY DESCRIPTIONS

CODE	DESCRIPTION
XX89559	895 x 596mm door
XX98059	980 x 596mm door
XX124525	1245 x 256mm door
XX124529	1245 x 296mm door
XX124539	1245 x 396mm door
XX124544	1245 x 446mm door
XX124549	1245 x 496mm door
XX124559	1245 x 596mm door
XX196559	1965 x 596mm vertical shaped door (nb. handle groove is on side of door)
XXF35579	355 x 796mm frame door
XXF35599	355 x 996mm frame door
XXF71539	715 x 396mm frame door
XXF71549	715 x 496mm frame door
XXCURVE	715mm external curved door
XXCURVE895MM	895mm external curved door
XXCURVE1245MM	1245mm external curved door
XXPLINTH	150 x 3050mm plinth
XXCURVEPLINTH	External curved plinth
XXCORNICESQ	45 x 35 x 3050mm square end straight cornice / pelmet

CODE	DESCRIPTION
XXCURVECORNICES	338 x 338 x 35mm external square end curved cornice / pelmet
XXCPSHAPED	715 x 60 x 60mm corner post shaped
XXCPSLAB	720 x 60 x 60mm corner post slab
XXCPEXTERNAL	900 x 58 x 58mm external corner post
XXENDPOST	2400 x 80 x 40.5mm curved end post
XXENDPROFILE	40.5 x 40.5 x 35mm corner block
XXEPSHAPE900	900 x 650 x 22mm end panel shaped
XXE79235	792 x 350 x 22mm end panel slab
XXEP900	900 x 650 x 22mm end panel slab
XXEP2400	2400 x 650 x 22mm end panel slab
XXEP240018	2400 x 650 x 18mm end panel slab
XXEP240090	2400 x 900 x 18mm end panel slab
	1245 x 296mm 'U' shaped groove door MTO***
	1245 x 396mm 'U' shaped groove door MTO***
	1245 x 446mm 'U' shaped groove door MTO***
	1245 x 496mm 'U' shaped groove door MTO***
	1245 x 596mm 'U' shaped groove door MTO***

* 355 Slab doors are for the top door of a bi-fold system to allow for the fitting of the mechanism.

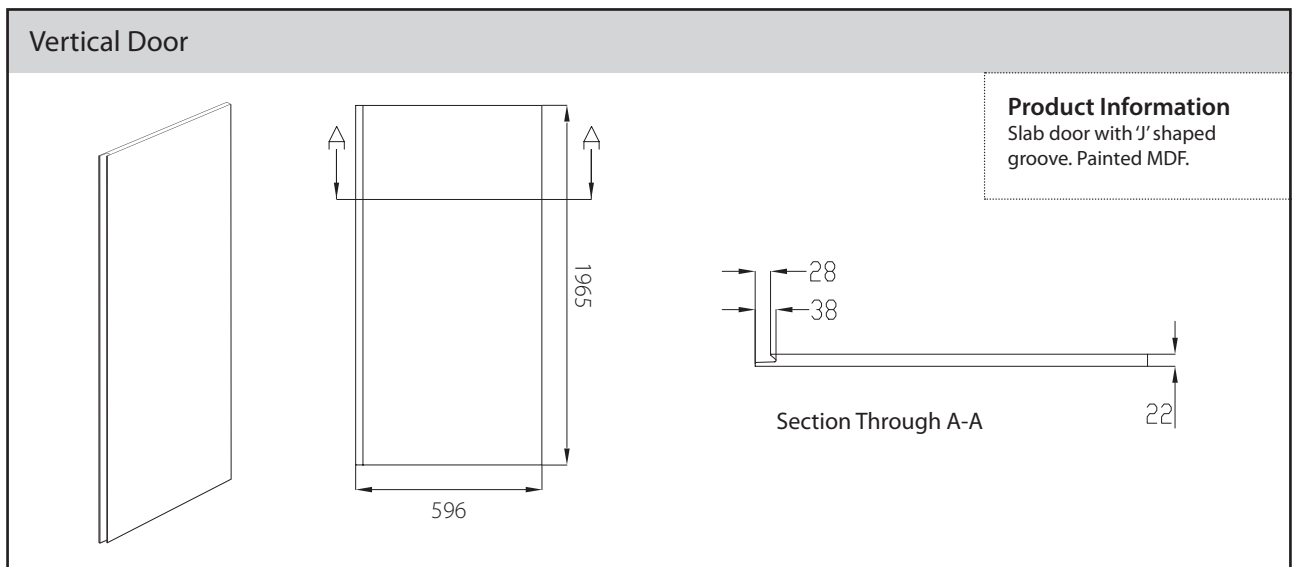
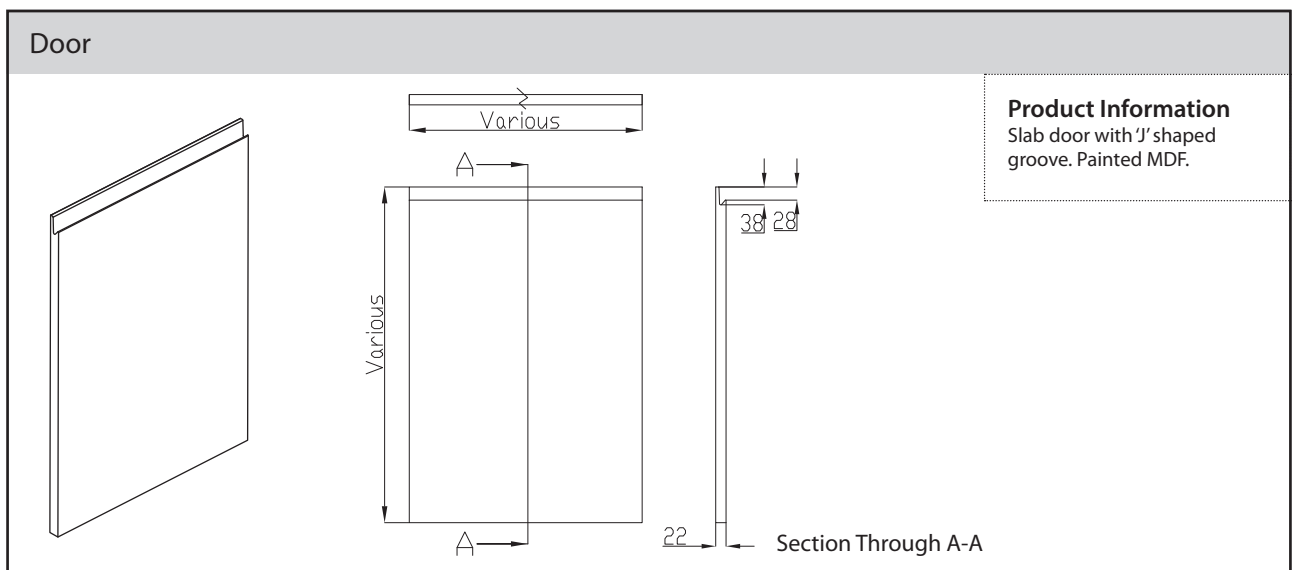
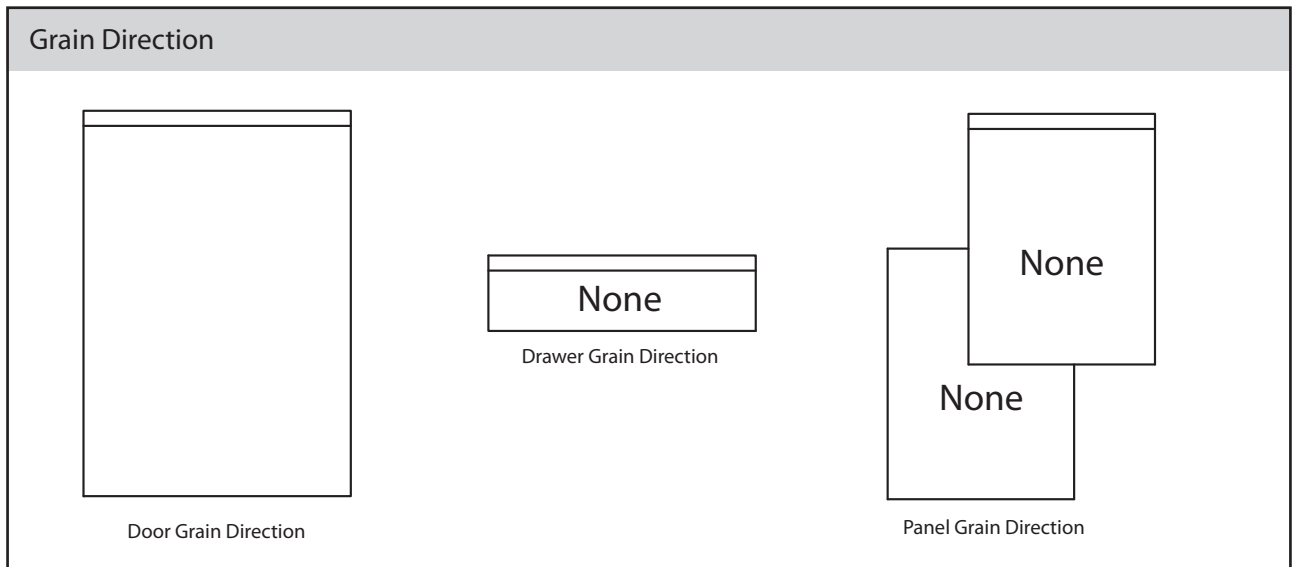
** Corner doors are handed and it is advised that both LH and RH corner doors are purchased.

*** This is a made to order door only, also available in other sizes, please contact our MTM department for more info.

When ordering please replace XX with the prefix code below:

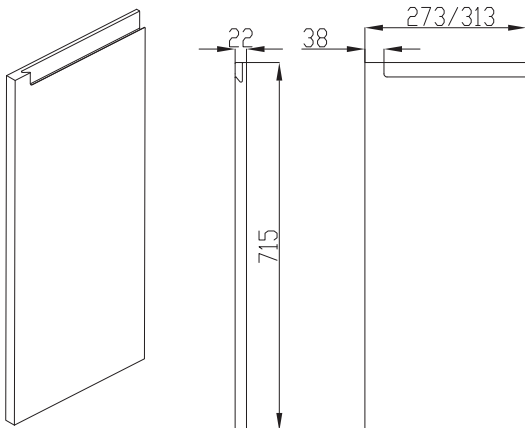
Anthracite: 332	Light Grey: 331
Cashmere: 334	Stone: 333
Cream: 335	White: 330

LUCENTE MATT



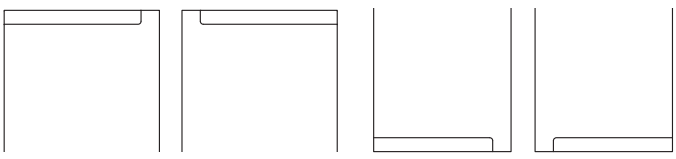
LUCENTE MATT

Corner Door



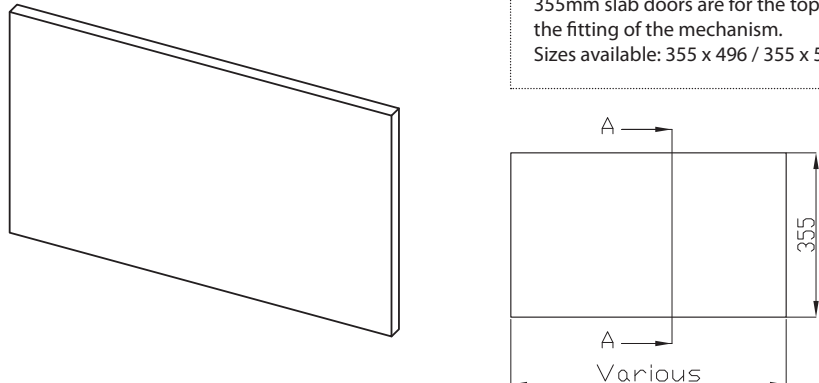
Product Information
 Corner door with 'J' shaped groove, solid at one end.
 Painted MDF.
 We advise that both RH & LH corner doors are purchased together.

Product Code
 XX71531R (BASE CORNER RH) / XX71531L (BASE CORNER LH)
 XX71527R1 (WALL CORNER RH) / XX71527L1 (WALL CORNER LH)



Base Door LH 313mm wide Base Door RH 313mm wide Wall Door LH 273mm wide Wall Door RH 273mm wide

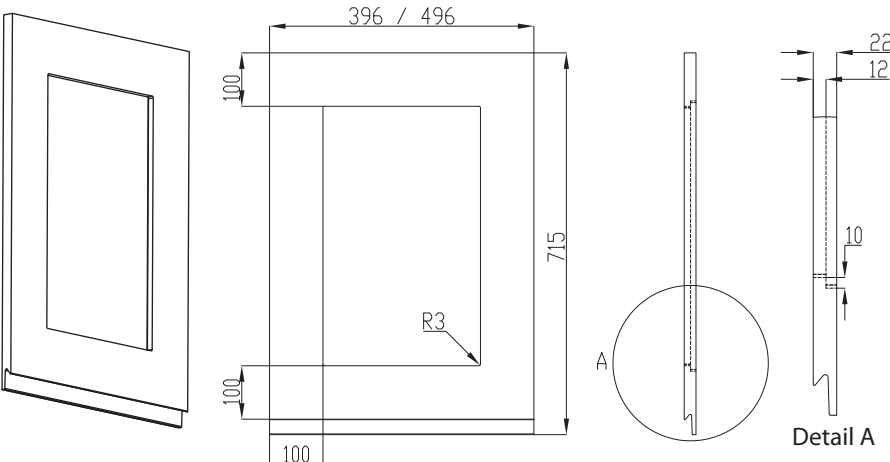
355mm Slab Door for Bi-fold



Product Information
 Slab door, painted MDF.
 355mm slab doors are for the top door of a bi-fold door system to allow for the fitting of the mechanism.
 Sizes available: 355 x 496 / 355 x 596 / 355 x 796 / 355 x 896 / 355 x 996.

Section Through A-A

Frame Door



Product Information
 Frame door with 'J' shaped groove.
 Painted MDF.
 Available in the following sizes:
 355 x 796 / 355 x 996
 715 x 396 / 715 x 496

Detail A

LUCENTE MATT

Shaped End Panel

Product Information
Shaped panel with 'J' shaped groove.
Painted MDF.
Other 'SLAB' end panels have no shaped groove and are slab only.

Product Code
XXEPSHAPE900

Square End Straight Cornice / Pelmet

Product Information
Painted MDF.

Product Code
XXCORNICESQ

Plinth

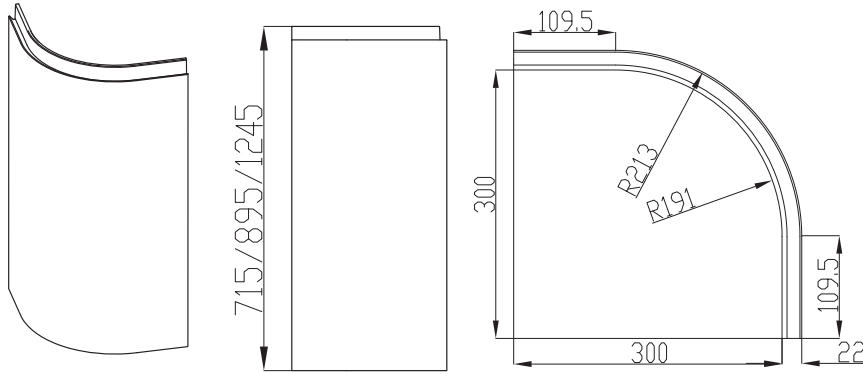
Product Information
Painted MDF.

Product Code
XXPLINTH

Please note: White and cream plinths (330PLINTH & 335PLINTH) have white ABS edging. All other plinth colours have painted edges.

LUCENTE MATT

Curved Door (External Curve)

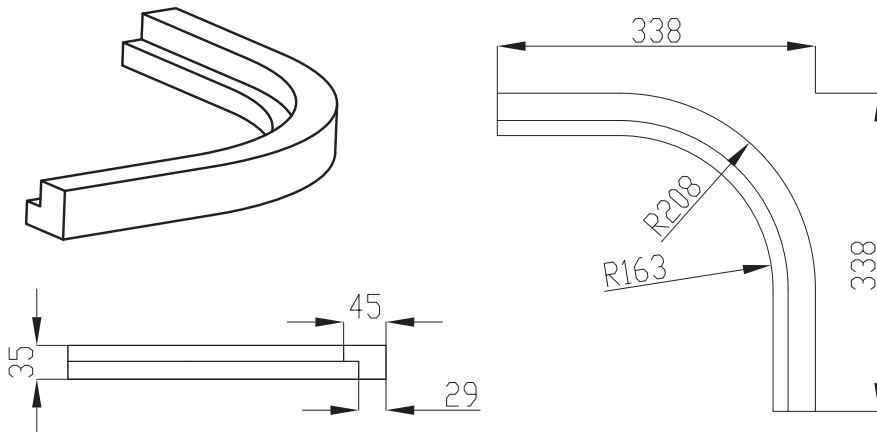


Product Information
 Curved door with 'J' shaped groove.
 Painted MDF.
 Height of door:
 715 / 895 / 1245mm.

Product Code
 XXCURVE (715mm)
 XXCURVE895MM (895mm)
 XXCURVE1245MM (1245mm)

Please note that the 1245mm tall curved door is not available in Lucente Gloss.

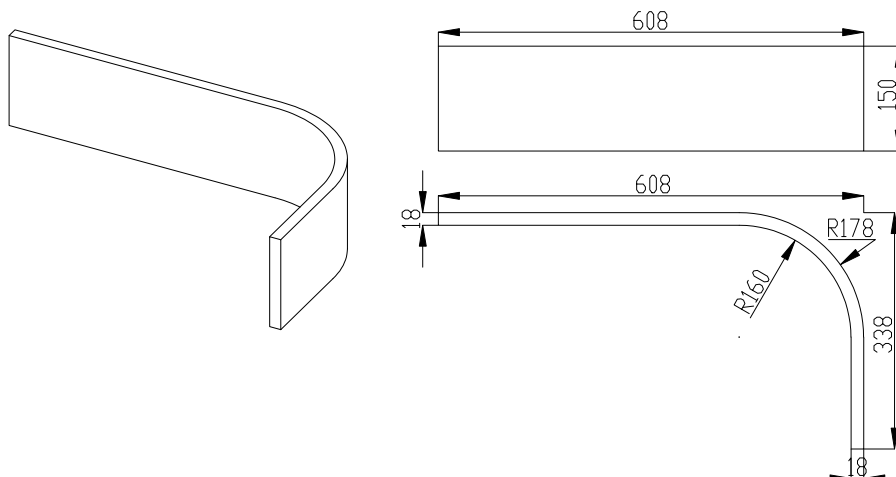
Square End Curved Cornice / Pelmet (External Curve)



Product Information
 Painted MDF.

Product Code
 XXCURVECORNICES

Curved Plinth (External Curve)



Product Information
 Painted MDF.

Product Code
 XXCURVEPLINTH

LUCENTE MATT

Corner Post Slab

Product Information
Painted MDF.

Product Code
XXCPSLAB

Corner Post Shaped

Product Information
Shaped corner post enables a bespoke look and allows the handle detail to flow around the kitchen. Painted MDF.

Product Code
XXCPSHAPED

External Corner Post

Product Information
The shaped external corner post enables a bespoke look and allows the handle detail to flow around the kitchen. This product is to be used with the End Panel Shaped. Painted MDF. The External Post is a registered design 4020869.

Product Code
XXCPEXTERNAL

End Panel Shaped — Door

External Corner Post — External corner post shown assembled

LUCENTE MATT

Corner Block

Product Information
Painted MDF.

Product Code
XXENDPROFILE

Please note: this corner block can be used on top of a curved end post. The profile is the same as the square end straight cornice and can be installed next to the cornice.

Curved End Post

Product Information
Painted MDF.

Product Code
XXENDPOST

'U' Shaped Groove Door

Product Information
Painted MDF.

Product Code
N/A - Made to order only



Contact us

Telephone 0161 336 3636
Fax 0161 336 3638
Free-Fax 0808 144 2422
Email sales@tkc.co.uk
Web www.tkc.co.uk
Order www.trade.tkc.co.uk



Address

Unit 3
Cranberry Drive
Denton
Manchester
M34 3UL

Area Sales

Scotland 07770 017422
North East 07766 021114
Yorkshire 07976 643485
North West 07584 241838
Merseyside, North Wales & West Cheshire 07970 923474
East Midlands 07770 017440
West Midlands 07899 948786
South West & South Wales 07799 320910
London & Home Counties (North) 07823 442668
London & Home Counties (South) 07792 078830
Northern Ireland 07436 160980

All goods are sold subject to our Terms and Conditions of Sale which are available upon request.