

Sinks & Taps

Technical Guide



IMPORTANT PLEASE NOTE:

The information contained in this literature is for illustrative purposes only to assist in choosing your desired kitchen. While we endeavour to keep the information up to date and correct we do not make any representations or warranties of any kind, express or implied, about the completeness, accuracy, reliability and suitability of the doors and products that appear in this literature.

We aim to showcase as many different items as possible and therefore some products have been installed and photographed purely to show as many of our product features as possible and they should not be taken as an example of how they are intended to be installed in real kitchen installations.

It is therefore the responsibility of the installer to check the corresponding manufacturer's installation information and the manufacturer's technical information to ensure this is up to date and to ensure that the products can be fitted in a way they are displayed and the products are suitable for your requirements.

We specifically exclude any liability in this regard unless the products are fitted in accordance with the specifications we supply and the manufacturer's installation recommendations are used in a way recommended by the manufacturer and in accordance with the manufacturer's technical information provided.

The information shown in this literature is accurate as at the date of print/release shown on such information but it may be subject to changes after such date. Please therefore ensure that you are viewing the most current product information available and check with us if you have any doubt about the suitability of the product or accuracy of the information shown.

We are proud that all our products that we sell are covered by a statutory warranty but this does not stop all our products naturally ageing overtime. As a result of this natural ageing process we are therefore unable to provide an identical colour finish to the existing products you have purchased from us with any products that we supply you from the same product line. In such event our liability will be limited to the purchase price paid for the product you are seeking to replace.

Due to the limitations on photographic reproduction, colours may differ slightly from the actual products shown. Please note that board matches listed with the doors are a suggestion only and better board matches may be available on the market. It is up to the individual to decide on its suitability.

Stainless Steel Inset - Stainless steel

1.0 Bowl & drainer



Fitting type: Inset

Sink handing: Reversible

Finish style: Unbrushed / satin

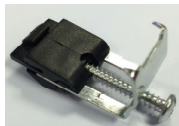
- **Min. base unit (bowl, tap & overflow only): 450mm**
- **Overall product size:** 860 x 500 x 175mm
- **Packaged size L x W x D:** 925 x 590 x 270mm
- **Supplied boxed or sleeved:** Sleeved
- **Boxed weight:** 5.60 kg
- **Sink only weight:** 3.02 kg

- Durable 18/10 stainless steel construction throughout
- Compact sink designed to complement smaller kitchens
- Reversible drainer position for maximum flexibility
- Easy clean bowl curves
- Practical basket waste supplied

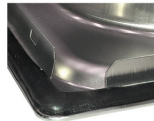
Included parts:



1 X AX1045
90mm (1.5") 1 x bsw and slotted overflow - short bolt



1 X AX1061
Long reach steel fixing clips x 8



1 X AX1057
factory fitted rim worktop seal



1 X AX1014
35mm tap hole cover plate



1 x INST
Fitting & care instructions

Materials and workmanship warranty summary:

- Sink materials & workmanship 10 year.
- Waste kits 1 year.

Care instructions:

- Clean the products regularly using soapy water and a non abrasive cloth, regular cleaning will prevent the build up of lime scale and dirt.
- Avoid contact with corrosive or abrasive substances.
- After cleaning rinse thoroughly with clean water then dry.

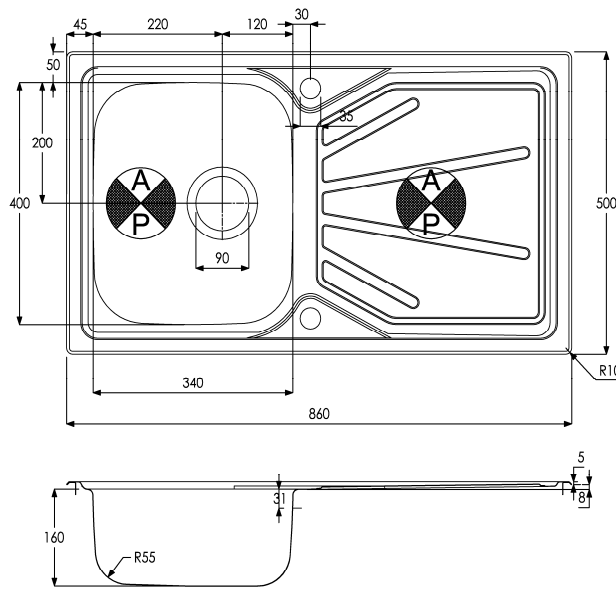


EN13310:2003

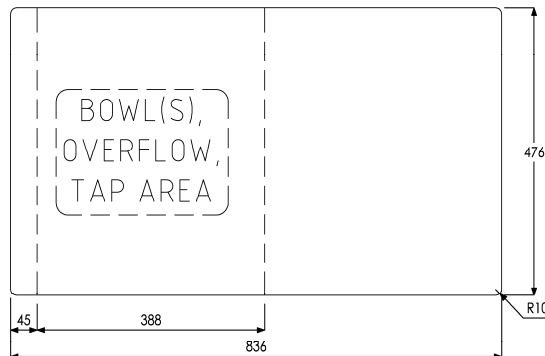
Domestic kitchen sink made of Stainless steel

Cleanability: Pass
Load resistance: NPD / NA (applies to wall hung sinks only)
Durability: Pass

Product dimensions and installation information: note:  symbol indicates position of acoustic pad.



INSET CUT OUT



Overall product size: 860 x 500 x 175 corner radius 10mm

Tap hole(s) detail: 2 x Ø 35mm, precut

Wastehole(s) detail (mm): 90 / N/A / N/A (nb. 90mm wastes accept a waste disposal unit)

Min. base unit (refers to space required for bowl, tap and overflow only): fits 450mm carcass

Min. Recessed fitting width: required (bowl(s), tap and overflow: 388mm)

***Worktop cut out size:** 836x476 corner radius 10mm

Min. & Max worktop depth or clip depth reach range: 19 - 42mm

Fitting temple supplied? No, use cut out instructions as supplied

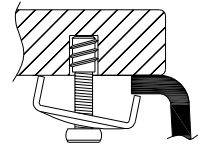
Dishwasher under drainer? Distance from top of worktop to underside of the drainer 10mm

Other:

***Important, fabricator / installer notes:**

For undermount sinks:

The cut out size indicated is aligned with outside edge of the bowl top radius (see below).



You should confirm with your client if the worksurface cutout is to be cut flush, inside or outside this suggested perimeter shape & size.

If you create the cutout smaller or larger than the indicated size then the fit of the accessories may be affected and should be physically checked.

General:

All details are provided in good faith and within the tolerances of the manufacturing process. Note: the dimensions on ceramic fireclay products are subject to wider tolerances due to the nature of this natural material and the firing process.

We recommend that a test cutout is made in scrap timber and checked against the actual sink supplied before committing to cutting the worksurface.

Bowl details: (sizes in mm unless specified otherwise)

Bowl 1 (typically main bowl):

Bowl 1 size L x W x D (mm): 400 x 340 x 160

Bowl 1 construction: Pressed, 0.60mm

Bowl 1 floor radius (mm): 55

Bowl 1 Wastehole diameter (mm): 90

Bowl 1 overflow: Slotted pattern

Bowl 1 texture: Unbrushed / safin

Bowl 1 apx. volume (litres): 15.10

Bowl 2 (typically 1/2 or 3/4 bowl):

Bowl 2 size L x W x D (mm): N/A x N/A x N/A

Bowl 2 construction: N/A, N/Amm

Bowl 2 floor radius (mm): N/A

Bowl 2 Wastehole diameter (mm): N/A

Bowl 2 overflow: N/A

Bowl 2 texture: N/A

Bowl 2 apx. volume (litres): N/A

Bowl 3:

Bowl 3 size L x W x D (mm): N/A x N/A x N/A

Bowl 3 construction: N/A, N/Amm

Bowl 3 floor radius (mm): N/A

Bowl 3 Wastehole diameter (mm): N/A

Bowl 3 overflow: N/A

Bowl 3 texture: N/A

Bowl 3 apx. volume (litres): N/A

Important: Please retain this sheet for future use

Stainless Steel Inset - Stainless steel

1.5 Bowl & drainer



Fitting type: Inset

Sink handing: Reversible

Finish style: Unbrushed / satin

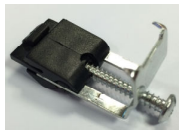
- **Min. base unit (bowl, tap & overflow only): 600mm**
- **Overall product size:** 1000 x 500 x 175mm
- **Packaged size L x W x D:** 1065 x 590 x 210mm
- **Supplied boxed or sleeved:** Sleeved
- **Boxed weight:** 6.20 kg
- **Sink only weight:** 3.40 kg

- Durable 18/10 stainless steel construction throughout
- One a half bowl design for maximum practicality
- Reversible drainer position for maximum flexibility
- Easy clean bowl curves
- Practical basket waste supplied

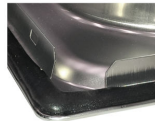
Included parts:



1 X AX1046
90mm (1.5") 2 x bsw and slotted
overflow - short bolt



1 X AX1062
Long reach steel fixing clips x 10



1 X AX1057
factory fitted rim worktop seal



1 X AX1014
35mm tap hole cover plate



1 x INST
Fitting & care instructions

Materials and workmanship warranty summary:

- Sink materials & workmanship 10 year.
- Waste kits 1 year.

Care instructions:

- Clean the products regularly using soapy water and a non abrasive cloth, regular cleaning will prevent the build up of lime scale and dirt.
- Avoid contact with corrosive or abrasive substances.
- After cleaning rinse thoroughly with clean water then dry.

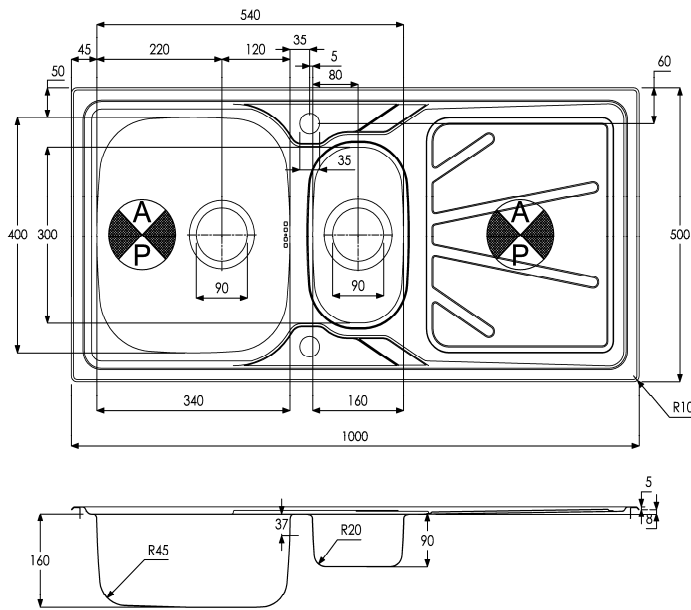


EN13310:2003

Domestic kitchen sink made of Stainless steel

Cleanability: Pass
Load resistance: NPD / NA
(applies to wall hung sinks only)
Durability: Pass

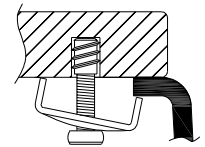
Product dimensions and installation information: note:  symbol indicates position of acoustic pad.



***Important, fabricator / installer notes:**

For undermount sinks:

The cut out size indicated is aligned with outside edge of the bowl top radius (see below).



You should confirm with your client if the worksurface cutout is to be cut flush, inside or outside this suggested perimeter shape & size.

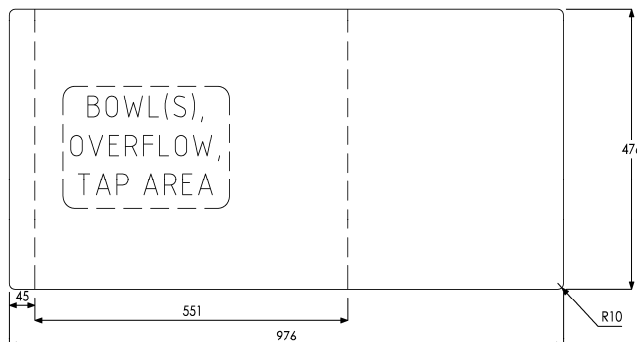
If you create the cutout smaller or larger than the indicated size then the fit of the accessories may be affected and should be physically checked.

General:

All details are provided in good faith and within the tolerances of the manufacturing process. Note: the dimensions on ceramic fireclay products are subject to wider tolerances due to the nature of this natural material and the firing process.

We recommend that a test cutout is made in scrap timber and checked against the actual sink supplied before committing to cutting the worksurface.

INSET CUT OUT



Overall product size: 1000 x 500 x 175 corner radius 10mm

Tap hole(s) detail: 2 x Ø 35mm, precut

Wastehole(s) detail (mm): 90 / 90 / N/A (nb. 90mm wastes accept a waste disposal unit)

Min. base unit (refers to space required for bowl, tap and overflow only): fits 600mm carcass

Min. Recessed fitting width: required (bowl(s), tap and overflow: 551mm

***Worktop cut out size:** 976x476 corner radius 10mm

Min. & Max worktop depth or clip depth reach range: 25 - 45mm

Fitting temple supplied? No, use cut out instructions as supplied

Dishwasher under drainer? Distance from top of worktop to underside of the drainer 10mm

Other:

Bowl details: (sizes in mm unless specified otherwise)

Bowl 1 (typically main bowl):

Bowl 1 size L x W x D (mm): 400 x 340 x 160

Bowl 1 construction: Pressed, 0.60mm

Bowl 1 floor radius (mm): 45

Bowl 1 Wastehole diameter (mm): 90

Bowl 1 overflow: Slotted pattern

Bowl 1 texture: Unbrushed / satin

Bowl 1 apx. volume (litres): 15.10

Bowl 2 (typically 1/2 or 3/4 bowl):

Bowl 2 size L x W x D (mm): 300 x 160 x 90

Bowl 2 construction: Pressed, 0.60mm

Bowl 2 floor radius (mm): 20

Bowl 2 Wastehole diameter (mm): 90

Bowl 2 overflow: N/A

Bowl 2 texture: Unbrushed / satin

Bowl 2 apx. volume (litres): 3.60

Bowl 3:

Bowl 3 size L x W x D (mm): N/A x N/A x N/A

Bowl 3 construction: N/A, N/Amm

Bowl 3 floor radius (mm): N/A

Bowl 3 Wastehole diameter (mm): N/A

Bowl 3 overflow: N/A

Bowl 3 texture: N/A

Bowl 3 apx. volume (litres): N/A

Important: Please retain this sheet for future use



Stainless Steel Undermount (400x400) - Stainless steel

1.0 Bowl



Fitting type: Undermount

Sink handing: N/A

Finish style: Brushed steel

- **Min. base unit (bowl, tap & overflow only): 500mm**
- **Overall product size:** 422 x 422 x 206mm
- **Packaged size L x W x D:** 470 x 470 x 230mm
- **Supplied boxed or sleeved:** Boxed
- **Boxed weight:** 3.22 kg
- **Sink only weight:** 1.76 kg

- Durable 18/10 stainless steel construction throughout
- Compact sink designed to complement smaller kitchens
- Practical basket waste supplied (to be silicone sealed)
- Easy clean bowl curves
- Deep bowl(s) to accept larger cookware

Included parts:



1 X AX1067
 1 x 90mm std bsw & slotted rigid o/flow



2 X AX1017
 Undermount fixing clips x 4



1 X INST
 Fitting & care instructions



1 X INFO
 Customer Specification Sheet

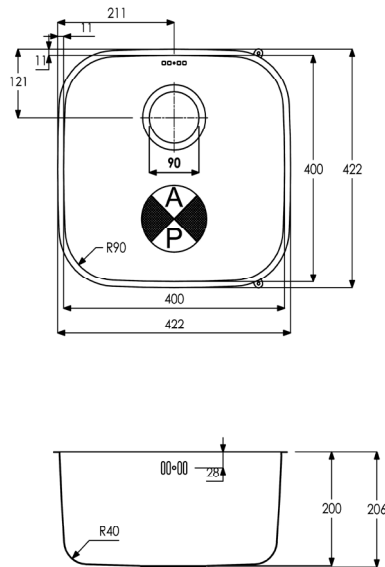
Materials and workmanship warranty summary:

- Sink materials & workmanship 10 year.
- Waste kits 1 year.

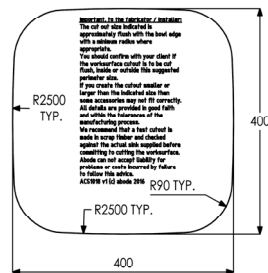
Care instructions:

- Clean the products regularly using soapy water and a non abrasive cloth, regular cleaning will prevent the build up of lime scale and dirt.
- Avoid contact with corrosive or abrasive substances.
- After cleaning rinse thoroughly with clean water then dry.

Product dimensions and installation information: note:  symbol indicates position of acoustic pad.



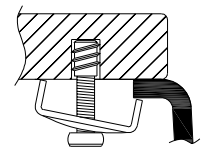
UNDERMOUNT CUT OUT



***Important, fabricator / installer notes:**

For undermount sinks:

The cut out size indicated is aligned with outside edge of the bowl top radius (see below).



You should confirm with your client if the worksurface cutout is to be cut flush, inside or outside this suggested perimeter shape & size. If you create the cutout smaller or larger than the indicated size then the fit of the accessories may be affected and should be physically checked.

General:
 All details are provided in good faith but do not include the tolerances of the material or manufacturing process. We request that a test cutout is made in scrap timber and checked against the actual sink to be installed before committing to cutting the final worksurface. Abode can not accept liability for problems or costs incurred by failure to follow this request. Note: the dimensions on ceramic fireclay products are subject to wider tolerances due to the nature of this natural material and the firing process. CAD cutout files are available on request

- Overall product size:** 422 x 422 x 206 corner radius 0mm
- Tap hole(s) detail:** N/A
- Wastehole(s) detail (mm):** 90 / N/A / N/A (nb. 90mm wastes accept a waste disposal unit)
- Min. base unit (refers to space required for bowl, tap and overflow only):** fits 500mm carcass
- Min. Recessed fitting width:** required (bowl(s), tap and overflow): 0mm
- *Worktop cut out size:** 0x0 corner radius 0mm (see drawing and installation notes)
- Min. & Max worktop depth or clip depth reach range:** 0 - 5mm
- Fitting temple supplied?** No, use cut out instructions as supplied
- Dishwasher under drainer?** Distance from top of worktop to underside of the drainer 0mm
- Other:**

Bowl details: (sizes in mm unless specified otherwise)

<p>Bowl 1 (typically main bowl): Bowl 1 size L x W x D (mm): 400 x 400 x 200 Bowl 1 construction: Pressed, 0.60mm Bowl 1 floor radius (mm): 90 Bowl 1 Wastehole diameter (mm): 90 Bowl 1 overflow: Slotted, std equal pattern Bowl 1 texture: Brushed stainless Bowl 1 apx. volume (litres): 24.00</p>	<p>Bowl 2 (typically 1/2 or 3/4 bowl): Bowl 2 size L x W x D (mm): N/A x N/A x N/A Bowl 2 construction: N/A, N/Amm Bowl 2 floor radius (mm): N/A Bowl 2 Wastehole diameter (mm): N/A Bowl 2 overflow: N/A Bowl 2 texture: N/A Bowl 2 apx. volume (litres): N/A</p>	<p>Bowl 3: Bowl 3 size L x W x D (mm): N/A x N/A x N/A Bowl 3 construction: N/A, N/Amm Bowl 3 floor radius (mm): N/A Bowl 3 Wastehole diameter (mm): N/A Bowl 3 overflow: N/A Bowl 3 texture: N/A Bowl 3 apx. volume (litres): N/A</p>
---	---	---

Important: Please retain this sheet for future use

1.5 Bowl Undermount - Stainless steel

1.5 Bowl no drainer



Fitting type: Undermount

Sink handing: Reversible

Finish style: Brushed steel

- **Min. base unit (bowl, tap & overflow only): 600mm**
- **Overall product size:** 590 x 456 x 185mm
- **Packaged size L x W x D:** 605 x 500 x 270mm
- **Supplied boxed or sleeved:** Boxed
- **Boxed weight:** 4.92 kg
- **Sink only weight:** 2.66 kg

- Durable 18/10 stainless steel construction throughout
- Reversible drainer position for maximum flexibility
- Practical basket waste supplied (to be silicone sealed)
- Easy clean bowl curves
- One a half bowl design for maximum practicality

Included parts:



1 X AX1064
 90mm (1.5") 2 x bsw and slotted overflow



1 X AX1070
 Undermount fixing clips x 10



1 X INST
 Fitting & care instructions



1 X INFO
 Customer Specification Sheet

Materials and workmanship warranty summary:

- Sink materials & workmanship 10 year.
- Waste kits 1 year.

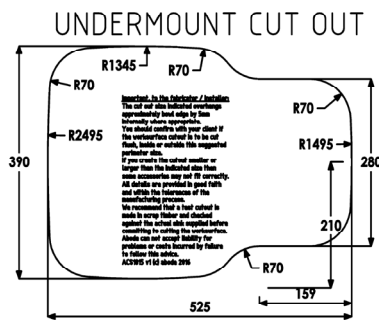
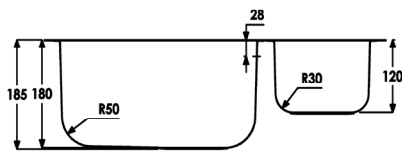
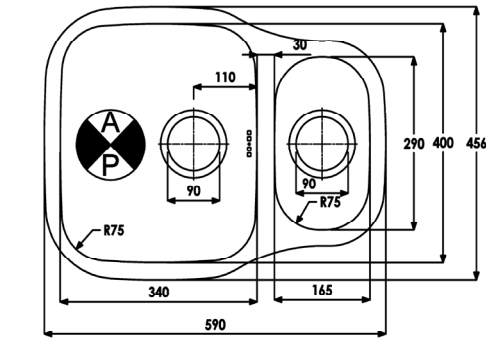
Care instructions:

- Clean the products regularly using soapy water and a non abrasive cloth, regular cleaning will prevent the build up of lime scale and dirt.
- Avoid contact with corrosive or abrasive substances.
- After cleaning rinse thoroughly with clean water then dry.

Product dimensions and installation information: note:



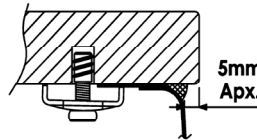
symbol indicates position of acoustic pad.



Important, to the fabricator / installer (FOR ACS1015 ONLY):

The cut out size indicated overhangs approximately bowl edge by 5mm internally where appropriate, this is contrary to our standard recommendation (as shown right)

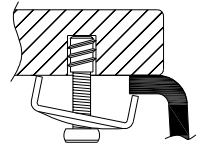
You should confirm with your client if this is as desired, and always make a cutout in scrap timber to be checked against the sink to be installed.



***Important, fabricator / installer notes:**

For undermount sinks:

The cut out size indicated is aligned with outside edge of the bowl top radius (see below).



You should confirm with your client if the worksurface cutout is to be cut flush, inside or outside this suggested perimeter shape & size. If you create the cutout smaller or larger than the indicated size then the fit of the accessories may be affected and should be physically checked.

General:

All details are provided in good faith but do not include the tolerances of the material or manufacturing process. We request that a test cutout is made in scrap timber and checked against the actual sink to be installed before committing to cutting the final worksurface. Abode can not accept liability for problems or costs incurred by failure to follow this request. Note: the dimensions on ceramic fireclay products are subject to wider tolerances due to the nature of this natural material and the firing process. CAD cutout files are available on request

Overall product size: 590 x 456 x 185 corner radius 0mm

Tap(s) detail: N/A

Wastehole(s) detail (mm): 90 / 90 / N/A (nb. 90mm wastes accept a waste disposal unit)

Min. base unit (refers to space required for bowl, tap and overflow only): fits 600mm carcass

Min. Recessed fitting width: required (bowl(s), tap and overflow: 530mm

*Worktop cut out size: 0x0 corner radius 0mm (see drawing and installation notes)

Min. & Max worktop depth or clip depth reach range: 0 - 5mm

Fitting temple supplied? No, use cut out instructions as supplied, edge overhangs bowls as standard

Dishwasher under drainer? Distance from top of worktop to underside of the drainer 0mm

Other:

Bowl details: (sizes in mm unless specified otherwise)

Bowl 1 (typically main bowl):

Bowl 1 size L x W x D (mm): 340 x 400 x 180

Bowl 1 construction: Pressed, 0.60mm

Bowl 1 floor radius (mm): 50

Bowl 1 Wastehole diameter (mm): 90

Bowl 1 overflow: Slotted, std equal pattern

Bowl 1 texture: Brushed stainless

Bowl 1 apx. volume (litres): 17.80

Bowl 2 (typically 1/2 or 3/4 bowl):

Bowl 2 size L x W x D (mm): 290 x 165 x 120

Bowl 2 construction: Pressed, 0.60mm

Bowl 2 floor radius (mm): 30

Bowl 2 Wastehole diameter (mm): 90

Bowl 2 overflow: N/A

Bowl 2 texture: Brushed stainless

Bowl 2 apx. volume (litres): 5.10

Bowl 3:

Bowl 3 size L x W x D (mm): N/A x N/A x N/A

Bowl 3 construction: N/A, N/Amm

Bowl 3 floor radius (mm): N/A

Bowl 3 Wastehole diameter (mm): N/A

Bowl 3 overflow: N/A

Bowl 3 texture: N/A

Bowl 3 apx. volume (litres): N/A

Important: Please retain this sheet for future use

abode

Neron
1.0 Bowl



Fitting type: Inset

Sink handing: Reversible

Finish style: Brushed steel

- **Min. base unit (bowl, tap & overflow only):** 600 mm
- **Packaged size L x W x D:** 1050 x 580 x 250mm
- **Supplied boxed or sleeved:** Boxed - brown
- **Boxed weight:** 8.06 kg
- **Sink only weight:** 4.80 kg

- Durable 304 stainless steel construction throughout
- Deep bowl(s) to accept larger cookware
- Reversible drainer position for maximum flexibility
- Built in integral drainer overflow for maximum bowl depth
- Smooth lined luxury Orbit waste supplied as standard

Included parts:



1 x AX1001 (m)
90mm (1.5") Orbit manual basket
strainer waste - short bolt



1 x AX1106 (m)
Rectangular overflow (90x30mm
horizontal)



1 x AX1008 (m)
1.0 Bowl pipework



1 x AX1058 (m)
Inset stainless steel fixing clips (metal)
x 8



1 x AX1020 (m)
Inset self adhesive foam sealing strip,
3.5 meters



1 x AX1014 (m)
35mm tap hole cover plate - brushed
steel



1 x AX4000 (m)
Fitting & care instructions & data sheet
- st/st inset

Recommended accessories:



1 x AX2503
High & Dry drainer rack - White and
grey


All accessories can be purchased directly from www.abode-shop.co.uk or phone 01226 283434

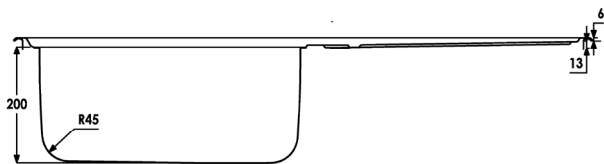
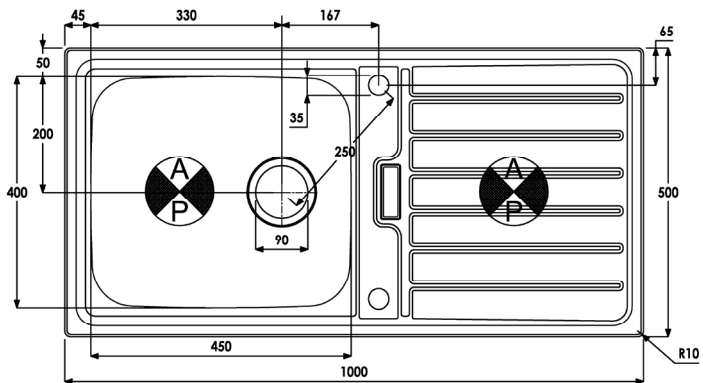
Materials and workmanship warranty summary:

- Sink materials & workmanship 10 years.
- Waste kits 1 year.
- Connecting pipework 1 year.

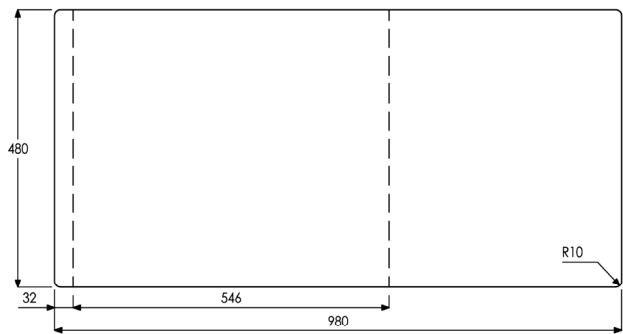
Care instructions:

- Clean the products regularly using soapy water and a non abrasive cloth, regular cleaning will prevent the build up of lime scale and dirt.
- Avoid contact with corrosive or abrasive substances.
- After cleaning rinse thoroughly with clean water then dry.
- For more detail see supplied booklet or www.abodedesigns.co.uk

Product dimensions and installation information: note:  symbol indicates position of acoustic pad on stainless products.



INSET CUT OUT



Additional notes:

Overall product size: 1000 x 500 x 219 corner radius 10mm

Taphole(s) detail: 2 x Ø 35mm, precut

Compatibility with large square taps: Please check compatibility of some large square base design taps with this sink

Wastehole(s) detail (mm): 90 / N/A / N/A (nb. 90mm wastes accept a waste disposal unit)

Min. base unit (refers to space required for bowl, tap and overflow only): fits 600mm carcass

Min. Recessed fitting width: required (bowl(s), tap and overflow: 546mm

***Worktop cut out size:** 980x480 corner radius 10mm, for .DXF cut files please see www.abode.eu

Min. & Max worktop depth or clip depth reach range: 25 - 42mm

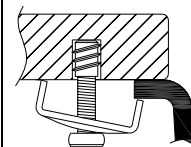
Fitting temple supplied? No, use cut out instructions as supplied

Dishwasher under drainer? Distance from top of worktop to underside of the drainer 13mm



***Important, fabricator / installer notes for undermount & flushmount sinks:**

The cut out size indicated is aligned with outside edge of the bowl top radius (see example below).



You should confirm with your client if the worksurface cutout is to be cut flush, inside or outside this suggested perimeter shape & size.

If you create the cutout smaller or larger than the indicated size then the fit of the accessories may be affected and should be physically checked.

General:

All details are provided in good faith but do not include the tolerances of the material or manufacturing process.

We request that a test cutout is made in scrap timber and checked against the actual sink to be installed before committing to cutting the final worksurface.

Abode can not accept liability for problems or costs incurred by failure to follow this request.

Note: the dimensions on ceramic fireclay products are subject to wider tolerances due to the nature of this natural material and the firing process.

CAD cutout files can be downloaded from www.abodedesigns.co.uk

Bowl details: (sizes in mm unless specified otherwise)

Bowl 1 (typically main bowl):

Bowl 1 size L x W x D (mm): 450 x 400 x 200

Bowl 1 construction: Welded, 0.80mm

Bowl 1 floor radius (mm): 45

Bowl 1 Wastehole diameter (mm): 90

Bowl 1 overflow: n/a

Bowl 1 texture: Brushed stainless

Bowl 1 apx. volume (litres): 36.20

Bowl 2 (typically 1/2 or 3/4 bowl):

Bowl 2 size L x W x D (mm): N/A x N/A x N/A

Bowl 2 construction: N/A, N/Amm

Bowl 2 floor radius (mm): N/A

Bowl 2 Wastehole diameter (mm): N/A

Bowl 2 overflow: N/A

Bowl 2 texture: N/A

Bowl 2 apx. volume (litres): N/A

Bowl 3:

Bowl 3 size L x W x D (mm): N/A x N/A x N/A

Bowl 3 construction: N/A, N/Amm

Bowl 3 floor radius (mm): N/A

Bowl 3 Wastehole diameter (mm): N/A

Bowl 3 overflow: N/A

Bowl 3 texture: N/A

Bowl 3 apx. volume (litres): N/A

abode

Neron
1.5 Bowl & drainer



Fitting type: Inset

Sink handing: Reversible

Finish style: Brushed steel

- **Min. base unit (bowl, tap & overflow only):** 600 mm
- **Packaged size L x W x D:** 1050 x 580 x 250mm
- **Supplied boxed or sleeved:** Boxed - brown
- **Boxed weight:** 8.46 kg
- **Sink only weight:** 4.84 kg

- Durable 304 stainless steel construction throughout
- Deep bowl(s) to accept larger cookware
- Reversible drainer position for maximum flexibility
- Easy clean bowl curves
- Smooth lined luxury Orbit waste supplied as standard

Included parts:



2 x AX1001 (m)
90mm (1.5") Orbit manual basket
strainer waste - short bolt



1 x AX1102 (m)
Rectangular overflow (90x30mm
vertical)



1 x AX1009 (m)
1.5 or 2.0 Bowl pipework



1 x AX1058 (m)
Inset stainless steel fixing clips (metal)
x 8



1 x AX1020 (m)
Inset self adhesive foam sealing strip,
3.5 meters



1 x AX1014 (m)
35mm tap hole cover plate - brushed
steel



1 x AX4000 (m)
Fitting & care instructions & data sheet
- st/st inset

Recommended accessories:



1 x AX3008
Bowl mat 246 x 302 R37



1 x AX2503
High & Dry drainer rack - White and
grey



1 x AX1502
Kyle 1/2 bowl colander


All accessories can be purchased directly from www.abode-shop.co.uk or phone 01226 283434

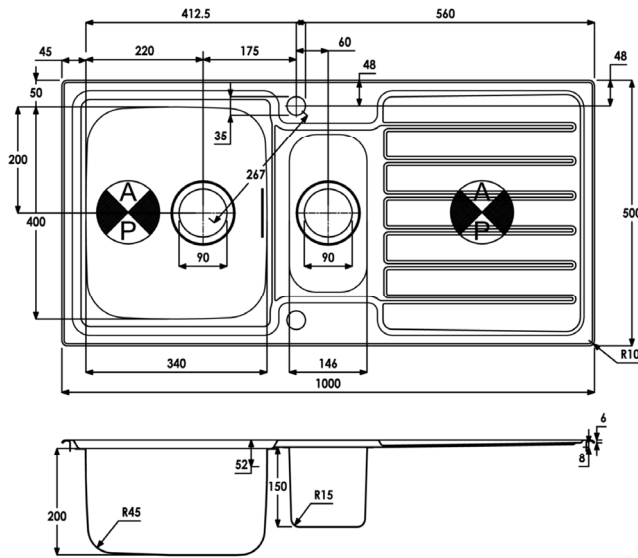
Materials and workmanship warranty summary:

- Sink materials & workmanship 10 years.
- Waste kits 1 year.
- Connecting pipework 1 year.

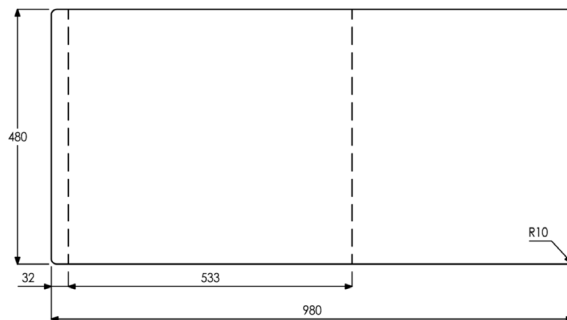
Care instructions:

- Clean the products regularly using soapy water and a non abrasive cloth, regular cleaning will prevent the build up of lime scale and dirt.
- Avoid contact with corrosive or abrasive substances.
- After cleaning rinse thoroughly with clean water then dry.
- For more detail see supplied booklet or www.abodedesigns.co.uk

Product dimensions and installation information: note:  symbol indicates position of acoustic pad on stainless products.



INSET CUT OUT



Additional notes:

Overall product size: 1000 x 500 x 218 corner radius 10mm

Taphole(s) detail: 2 x Ø 35mm, precut

Compatibility with large square taps: Please check compatibility of some large square base design taps with this sink

Wastehole(s) detail (mm): 90 / 90 / N/A (nb. 90mm wastes accept a waste disposal unit)

Min. base unit (refers to space required for bowl, tap and overflow only): fits 600mm carcass

Min. Recessed fitting width: required (bowl(s), tap and overflow): 533mm

***Worktop cut out size:** 980x480 corner radius 10mm, for .DXF cut files please see www.abode.eu

Min. & Max worktop depth or clip depth reach range: 25 - 42mm

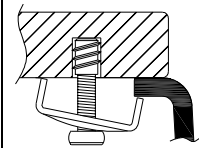
Fitting temple supplied? No, use cut out instructions as supplied

Dishwasher under drainer? Distance from top of worktop to underside of the drainer 8mm



***Important, fabricator / installer notes for undermount & flushmount sinks:**

The cut out size indicated is aligned with outside edge of the bowl top radius (see example below).



You should confirm with your client if the worksurface cutout is to be cut flush, inside or outside this suggested perimeter shape & size.

If you create the cutout smaller or larger than the indicated size then the fit of the accessories may be affected and should be physically checked.

General:

All details are provided in good faith but do not include the tolerances of the material or manufacturing process.

We request that a test cutout is made in scrap timber and checked against the actual sink to be installed before committing to cutting the final worksurface.

Abode can not accept liability for problems or costs incurred by failure to follow this request.

Note: the dimensions on ceramic fireclay products are subject to wider tolerances due to the nature of this natural material and the firing process.

CAD cutout files can be downloaded from www.abodedesigns.co.uk

Bowl details: (sizes in mm unless specified otherwise)

Bowl 1 (typically main bowl):

Bowl 1 size L x W x D (mm): 340 x 400 x 200

Bowl 1 construction: Welded, 0.70mm

Bowl 1 floor radius (mm): 45

Bowl 1 Wastehole diameter (mm): 90

Bowl 1 overflow: Slotted, std equal pattern

Bowl 1 texture: Brushed stainless

Bowl 1 apx. volume (litres): 19.10

Bowl 2 (typically 1/2 or 3/4 bowl):

Bowl 2 size L x W x D (mm): 146 x 296 x 150

Bowl 2 construction: Welded, 0.70mm

Bowl 2 floor radius (mm): 15

Bowl 2 Wastehole diameter (mm): 90

Bowl 2 overflow: N/A

Bowl 2 texture: Brushed stainless

Bowl 2 apx. volume (litres): 6.10

Bowl 3:

Bowl 3 size L x W x D (mm): N/A x N/A x N/A

Bowl 3 construction: N/A, N/Amm

Bowl 3 floor radius (mm): N/A

Bowl 3 Wastehole diameter (mm): N/A

Bowl 3 overflow: N/A

Bowl 3 texture: N/A

Bowl 3 apx. volume (litres): N/A

abode

Matrix R15

1.5 Bowl



Fitting type: Undermount or Inset

Sink handing: Right hand main bowl

Finish style: Brushed steel

- **Min. base unit (bowl, tap & overflow only):** 800 mm
- **Packaged size L x W x D:** 740 x 530 x 300mm
- **Supplied boxed or sleeved:** Boxed - brown
- **Boxed weight:** 7.90 kg
- **Sink only weight:** 4.58 kg

- Durable 304 stainless steel construction throughout
- Deep bowl(s) to accept larger cookware
- Easy clean bowl curves
- Smooth lined luxury Orbit waste supplied as standard
- Can be fitted as undermount or inset

Included parts:



2 x AX1001 (m)
90mm (1.5") Orbit manual basket
strainer waste - short bolt



2 x AX1105 (m)
Rectangular overflow (55x30mm
vertical)



1 x AX1009 (m)
1.5 or 2.0 Bowl pipework



1 x AX1109 (m)
Inset stainless steel fixing clips x 12



1 x AX1108 (m)
Undermount stainless steel fixing clips
x 8



1 x AX4029 (m)
Fitting & care instructions & data
sheet - st/st inset or undermount

Recommended accessories:



1 x AX3012
Bowl mat 273 x 333 R5



1 x AX2503
High & Dry drainer rack - White and
grey

All accessories can be purchased directly from www.abode-shop.co.uk or phone 01226 283434

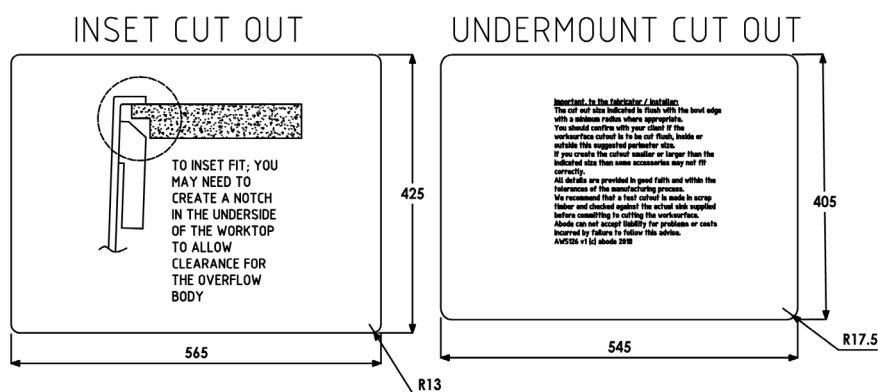
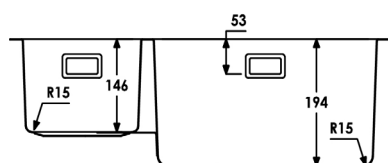
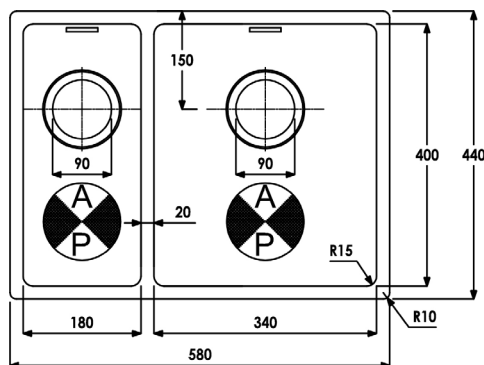
Materials and workmanship warranty summary:

- Sink materials & workmanship 10 years.
- Waste kits 1 year.
- Connecting pipework 1 year.

Care instructions:

- Clean the products regularly using soapy water and a non abrasive cloth, regular cleaning will prevent the build up of lime scale and dirt.
- Avoid contact with corrosive or abrasive substances.
- After cleaning rinse thoroughly with clean water then dry.
- For more detail see supplied booklet or www.abodedesigns.co.uk

Product dimensions and installation information: note:  symbol indicates position of acoustic pad on stainless products.



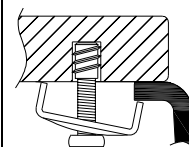
Additional notes: Important: Please check cut out details carefully before cutting worktops, size shown is flush to bowl edge
Overall product size: 580 x 440 x 202 corner radius 10mm

- Tap hole(s) detail:** None
- Compatibility with large square taps:**
- Wastehole(s) detail (mm):** 90 / 90 / N/A (nb. 90mm wastes accept a waste disposal unit)
- Min. base unit (refers to space required for bowl, tap and overflow only):** fits 800mm carcass
- Min. Recessed fitting width:** required (bowl(s), tap and overflow): 535mm
- *Worktop cut out size:** 0x0 corner radius 0mm, for .DXF cut files please see www.abode.eu
- Min. & Max worktop depth or clip depth reach range:** 0 - 55mm
- Fitting temple supplied?** No, use cut out instructions as supplied
- Dishwasher under drainer?** Distance from top of worktop to underside of the drainer 0mm



***Important, fabricator / installer notes for undermount & flushmount sinks:**

The cut out size indicated is aligned with outside edge of the bowl top radius (see example below).



You should confirm with your client if the worksurface cutout is to be cut flush, inside or outside this suggested perimeter shape & size.

If you create the cutout smaller or larger than the indicated size then the fit of the accessories may be affected and should be physically checked.

General:

All details are provided in good faith but do not include the tolerances of the material or manufacturing process.

We request that a test cutout is made in scrap timber and checked against the actual sink to be installed before committing to cutting the final worksurface.

Abode can not accept liability for problems or costs incurred by failure to follow this request.

Note: the dimensions on ceramic fireclay products are subject to wider tolerances due to the nature of this natural material and the firing process.

CAD cutout files can be downloaded from www.abodedesigns.co.uk

Bowl details: (sizes in mm unless specified otherwise)

Bowl 1 (typically main bowl):

- Bowl 1 size L x W x D (mm):** 500 x 400 x 198
- Bowl 1 construction:** Pressed, 1.00mm
- Bowl 1 floor radius (mm):** 15
- Bowl 1 Wastehole diameter (mm):** 90
- Bowl 1 overflow:** Rectangular flush
- Bowl 1 texture:** Brushed stainless
- Bowl 1 apx. volume (litres):** 18.50

Bowl 2 (typically 1/2 or 3/4 bowl):

- Bowl 2 size L x W x D (mm):** 180 x 400 x 146
- Bowl 2 construction:** Pressed, 1.00mm
- Bowl 2 floor radius (mm):** 15
- Bowl 2 Wastehole diameter (mm):** 90
- Bowl 2 overflow:** Rectangular
- Bowl 2 texture:** Brushed stainless
- Bowl 2 apx. volume (litres):** 7.70

Bowl 3:

- Bowl 3 size L x W x D (mm):** N/A x N/A x N/A
- Bowl 3 construction:** N/A, N/Amm
- Bowl 3 floor radius (mm):** N/A
- Bowl 3 Wastehole diameter (mm):** N/A
- Bowl 3 overflow:** N/A
- Bowl 3 texture:** N/A
- Bowl 3 apx. volume (litres):** N/A

abode

Matrix R15
1.5 Bowl



Fitting type: Undermount or Inset

Sink handing: Left hand main bowl

Finish style: Brushed steel

- **Min. base unit (bowl, tap & overflow only):** 800 mm
- **Packaged size L x W x D:** 740 x 530 x 300mm
- **Supplied boxed or sleeved:** Boxed - brown
- **Boxed weight:** 7.90 kg
- **Sink only weight:** 4.58 kg

- Durable 304 stainless steel construction throughout
- Deep bowl(s) to accept larger cookware
- Easy clean bowl curves
- Smooth lined luxury Orbit waste supplied as standard
- Can be fitted as undermount or inset

Included parts:



2 x AX1001 (m)
90mm (1.5") Orbit manual basket
strainer waste - short bolt



2 x AX1105 (m)
Rectangular overflow (55x30mm
vertical)



1 x AX1009 (m)
1.5 or 2.0 Bowl pipework



1 x AX1109 (m)
Inset stainless steel fixing clips x 12



1 x AX1108 (m)
Undermount stainless steel fixing clips
x 8



1 x AX4029 (m)
Fitting & care instructions & data
sheet - st/st inset or undermount

Recommended accessories:



1 x AX3012
Bowl mat 273 x 333 R5



1 x AX2503
High & Dry drainer rack - White and
grey


All accessories can be purchased directly from www.abode-shop.co.uk or phone 01226 283434

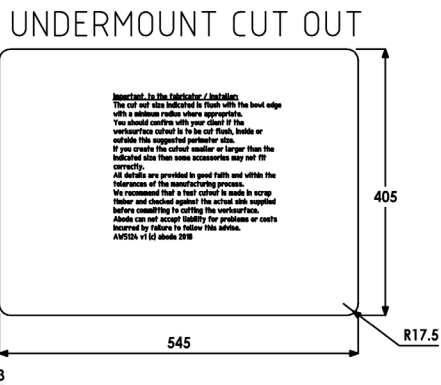
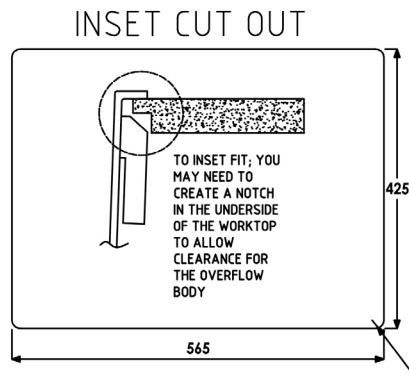
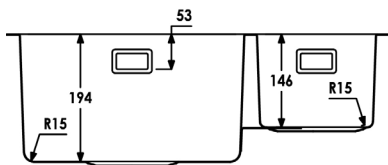
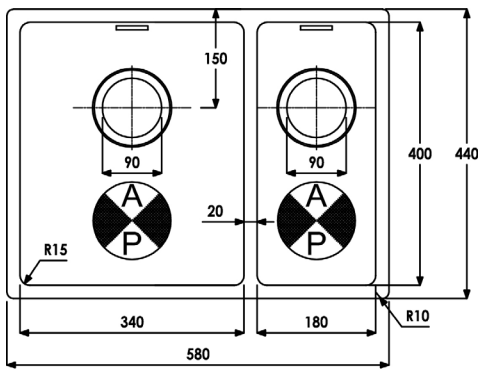
Materials and workmanship warranty summary:

- Sink materials & workmanship 10 years.
- Waste kits 1 year.
- Connecting pipework 1 year.

Care instructions:

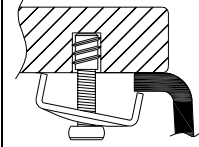
- Clean the products regularly using soapy water and a non abrasive cloth, regular cleaning will prevent the build up of lime scale and dirt.
- Avoid contact with corrosive or abrasive substances.
- After cleaning rinse thoroughly with clean water then dry.
- For more detail see supplied booklet or www.abodedesigns.co.uk

Product dimensions and installation information: note:  symbol indicates position of acoustic pad on stainless products.




***Important, fabricator / installer notes for undermount & flushmount sinks:**

The cut out size indicated is aligned with outside edge of the bowl top radius (see example below).



You should confirm with your client if the worksurface cutout is to be cut flush, inside or outside this suggested perimeter shape & size.

If you create the cutout smaller or larger than the indicated size then the fit of the accessories may be affected and should be physically checked.

General:
All details are provided in good faith but do not include the tolerances of the material or manufacturing process.

We request that a test cutout is made in scrap timber and checked against the actual sink to be installed before committing to cutting the final worksurface.

Abode can not accept liability for problems or costs incurred by failure to follow this request.

Note: the dimensions on ceramic fireclay products are subject to wider tolerances due to the nature of this natural material and the firing process.

CAD cutout files can be downloaded from www.abodedesigns.co.uk

Additional notes: Important: Please check cut out details carefully before cutting worktops, size shown is flush to bowl edge
Overall product size: 580 x 440 x 202 corner radius 10mm
Tap hole(s) detail: None
Compatibility with large square taps:
Wastehole(s) detail (mm): 90 / 90 / N/A (nb. 90mm wastes accept a waste disposal unit)
Min. base unit (refers to space required for bowl, tap and overflow only): fits 800mm carcass
Min. Recessed fitting width: required (bowl(s), tap and overflow): 535mm
***Worktop cut out size:** 0x0 corner radius 0mm, for .DXF cut files please see www.abode.eu
Min. & Max worktop depth or clip depth reach range: 0 - 55mm
Fitting temple supplied? No, use cut out instructions as supplied
Dishwasher under drainer? Distance from top of worktop to underside of the drainer 0mm

Bowl details: (sizes in mm unless specified otherwise)		
Bowl 1 (typically main bowl):	Bowl 2 (typically 1/2 or 3/4 bowl):	Bowl 3:
Bowl 1 size L x W x D (mm): 500 x 400 x 198	Bowl 2 size L x W x D (mm): 180 x 400 x 146	Bowl 3 size L x W x D (mm): N/A x N/A x N/A
Bowl 1 construction: Pressed, 1.00mm	Bowl 2 construction: Pressed, 1.00mm	Bowl 3 construction: N/A, N/Amm
Bowl 1 floor radius (mm): 15	Bowl 2 floor radius (mm): 15	Bowl 3 floor radius (mm): N/A
Bowl 1 Wastehole diameter (mm): 90	Bowl 2 Wastehole diameter (mm): 90	Bowl 3 Wastehole diameter (mm): N/A
Bowl 1 overflow: Rectangular flush	Bowl 2 overflow: Rectangular	Bowl 3 overflow: N/A
Bowl 1 texture: Brushed stainless	Bowl 2 texture: Brushed stainless	Bowl 3 texture: N/A
Bowl 1 apx. volume (litres): 18.50	Bowl 2 apx. volume (litres): 7.70	Bowl 3 apx. volume (litres): N/A

Ceramic Bowl Inset - Fireclay ceramic

1.0 Bowl & drainer



Fitting type: Inset

Sink handing: Reversible

Finish style: Fireclay ceramic

- **Min. base unit (bowl, tap & overflow only): 450mm**
- **Overall product size:** 860 x 500 x 220mm
- **Packaged size L x W x D:** 880 x 545 x 250mm
- **Supplied boxed or sleeved:** Boxed
- **Boxed weight:** 31.70 kg
- **Sink only weight:** 28.40 kg

- Durable finest grade fireclay construction throughout
- Compact sink designed to complement smaller kitchens
- Reversible drainer position for maximum flexibility
- Easy clean bowl curves
- Practical basket waste supplied

Included parts:



1 X AX1065
1 x 90mm std bsw, & pipework,
1 x bsw and round overflow -
long bolt



1 X INST
Fitting & care instructions



1 X AX1059
Ceramic sink tap hole blanking
plug

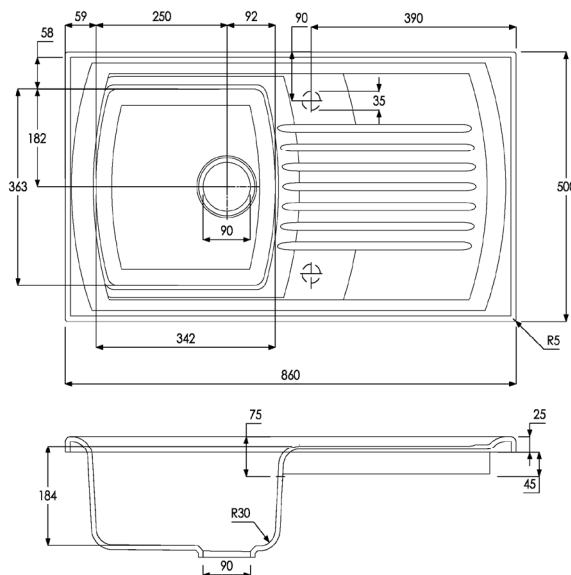
Materials and workmanship warranty summary:

- Sink materials & workmanship 10 year.
- Waste kits 1 year.

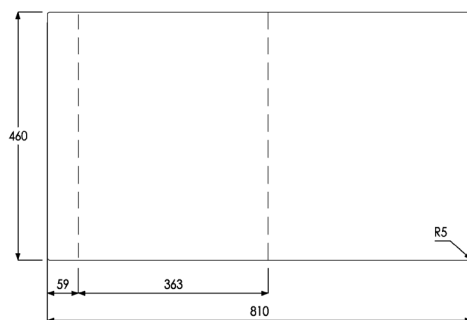
Care instructions:

- Clean the products regularly using soapy water and a non abrasive cloth, regular cleaning will prevent the build up of lime scale and dirt.
- Avoid contact with corrosive or abrasive substances.
- After cleaning rinse thoroughly with clean water then dry.

Product dimensions and installation information: note:  symbol indicates position of acoustic pad.



INSET CUT OUT



Overall product size: 860 x 500 x 220 corner radius 5mm

Tap hole(s) detail: 2 x Ø 35mm, precut

Wastehole(s) detail (mm): 90 / N/A / N/A (nb. 90mm wastes accept a waste disposal unit)

Min. base unit (refers to space required for bowl, tap and overflow only): fits 450mm carcass

Min. Recessed fitting width: required (bowl(s), tap and overflow: 363mm

***Worktop cut out size:** 810x460 corner radius 5mm (see drawing and installation notes)

Min. & Max worktop depth or clip depth reach range: 0 - 0mm

Fitting temple supplied? No, use cut out instructions as supplied

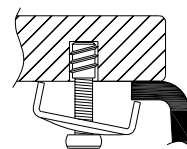
Dishwasher under drainer? Distance from top of worktop to underside of the drainer 45mm

Other:

***Important, fabricator / installer notes:**

For undermount sinks:

The cut out size indicated is aligned with outside edge of the bowl top radius (see below).



You should confirm with your client if the worksurface cutout is to be cut flush, inside or outside this suggested perimeter shape & size. If you create the cutout smaller or larger than the indicated size then the fit of the accessories may be affected and should be physically checked.

General:

All details are provided in good faith but do not include the tolerances of the material or manufacturing process. We request that a test cutout is made in scrap timber and checked against the actual sink to be installed before committing to cutting the final worksurface.

Abode can not accept liability for problems or costs incurred by failure to follow this request.

Note: the dimensions on ceramic fireclay products are subject to wider tolerances due to the nature of this natural material and the firing process.

CAD cutout files are available on request

Bowl details: (sizes in mm unless specified otherwise)

Bowl 1 (typically main bowl):

Bowl 1 size L x W x D (mm): 363 x 342 x 184

Bowl 1 construction: Moulded, 10.00mm

Bowl 1 floor radius (mm): 30

Bowl 1 Wastehole diameter (mm): 90

Bowl 1 overflow: Circular, 30mm diameter

Bowl 1 texture: White glaze

Bowl 1 apx. volume (litres): 14.40

Bowl 2 (typically 1/2 or 3/4 bowl):

Bowl 2 size L x W x D (mm): N/A x N/A x N/A

Bowl 2 construction: N/A, N/Amm

Bowl 2 floor radius (mm): N/A

Bowl 2 Wastehole diameter (mm): N/A

Bowl 2 overflow: N/A

Bowl 2 texture: N/A

Bowl 2 apx. volume (litres): N/A

Bowl 3:

Bowl 3 size L x W x D (mm): N/A x N/A x N/A

Bowl 3 construction: N/A, N/Amm

Bowl 3 floor radius (mm): N/A

Bowl 3 Wastehole diameter (mm): N/A

Bowl 3 overflow: N/A

Bowl 3 texture: N/A

Bowl 3 apx. volume (litres): N/A

Important: Please retain this sheet for future use

Ceramic Bowl Inset - Fireclay ceramic

1.5 Bowl & drainer



Fitting type: Inset

Sink handing: Reversible

Finish style: Fireclay ceramic

- **Min. base unit (bowl, tap & overflow only): 600mm**
- **Overall product size:** 1000 x 500 x 220mm
- **Packaged size L x W x D:** 1250 x 545 x 250mm
- **Supplied boxed or sleeved:** Boxed
- **Boxed weight:** 27.34 kg
- **Sink only weight:** 25.00 kg

- Durable finest grade fireclay construction throughout
- One a half bowl design for maximum practicality
- Reversible drainer position for maximum flexibility
- Easy clean bowl curves
- Practical basket waste supplied

Included parts:



1 X AX1066
1 x 90mm std bsw, 1 x 60mm
std bsw & pipework



1 X INST
Fitting & care instructions



1 X AX1059
Ceramic sink tap hole blanking
plug

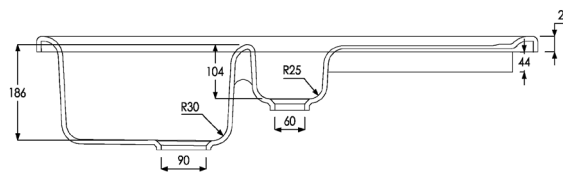
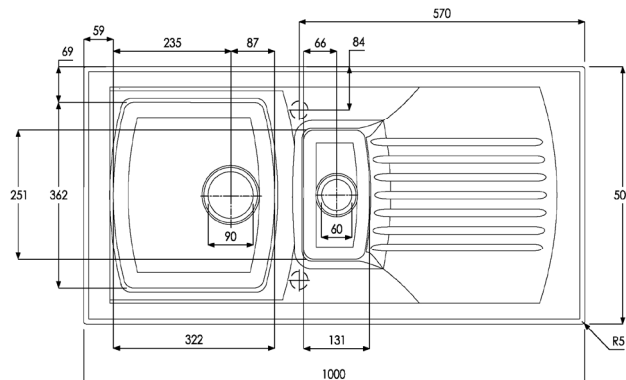
Materials and workmanship warranty summary:

- Sink materials & workmanship 10 year.
- Waste kits 1 year.

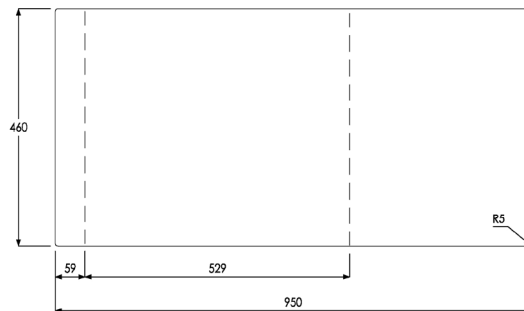
Care instructions:

- Clean the products regularly using soapy water and a non abrasive cloth, regular cleaning will prevent the build up of lime scale and dirt.
- Avoid contact with corrosive or abrasive substances.
- After cleaning rinse thoroughly with clean water then dry.

Product dimensions and installation information: note:  symbol indicates position of acoustic pad.



INSET CUT OUT



Overall product size: 1000 x 500 x 220 corner radius 5mm

Tap hole(s) detail: 2 x Ø 35mm, precut

Wastehole(s) detail (mm): 90 / 60 / N/A (nb. 90mm wastes accept a waste disposal unit)

Min. base unit (refers to space required for bowl, tap and overflow only): fits 600mm carcass

Min. Recessed fitting width: required (bowl(s), tap and overflow: 529mm

***Worktop cut out size:** 950x460 corner radius 5mm (see drawing and installation notes)

Min. & Max worktop depth or clip depth reach range: 0 - 0mm

Fitting temple supplied? No, use cut out instructions as supplied

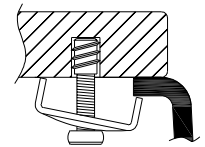
Dishwasher under drainer? Distance from top of worktop to underside of the drainer 44mm

Other:

***Important, fabricator / installer notes:**

For undermount sinks:

The cut out size indicated is aligned with outside edge of the bowl top radius (see below).



You should confirm with your client if the worksurface cutout is to be cut flush, inside or outside this suggested perimeter shape & size. If you create the cutout smaller or larger than the indicated size then the fit of the accessories may be affected and should be physically checked.

General:

All details are provided in good faith but do not include the tolerances of the material or manufacturing process. We request that a test cutout is made in scrap timber and checked against the actual sink to be installed before committing to cutting the final worksurface.

Abode can not accept liability for problems or costs incurred by failure to follow this request.

Note: the dimensions on ceramic fireclay products are subject to wider tolerances due to the nature of this natural material and the firing process. CAD cutout files are available on request

Bowl details: (sizes in mm unless specified otherwise)

Bowl 1 (typically main bowl):

Bowl 1 size L x W x D (mm): 362 x 322 x 186

Bowl 1 construction: Moulded, 10.00mm

Bowl 1 floor radius (mm): 30

Bowl 1 Wastehole diameter (mm): 90

Bowl 1 overflow: none

Bowl 1 texture: White glaze

Bowl 1 apx. volume (litres): 13.50

Bowl 2 (typically 1/2 or 3/4 bowl):

Bowl 2 size L x W x D (mm): 251 x 131 x 104

Bowl 2 construction: White glaze, 10.00mm

Bowl 2 floor radius (mm): 25

Bowl 2 Wastehole diameter (mm): 60

Bowl 2 overflow: non sealing waste

Bowl 2 texture:

Bowl 2 apx. volume (litres): 3.50

Bowl 3:

Bowl 3 size L x W x D (mm): N/A x N/A x N/A

Bowl 3 construction: N/A, N/Amm

Bowl 3 floor radius (mm): N/A

Bowl 3 Wastehole diameter (mm): N/A

Bowl 3 overflow: N/A

Bowl 3 texture: N/A

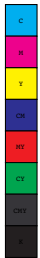
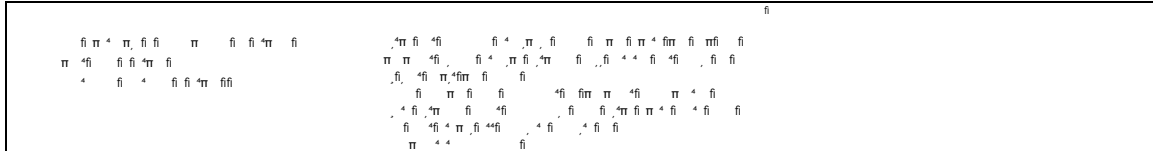
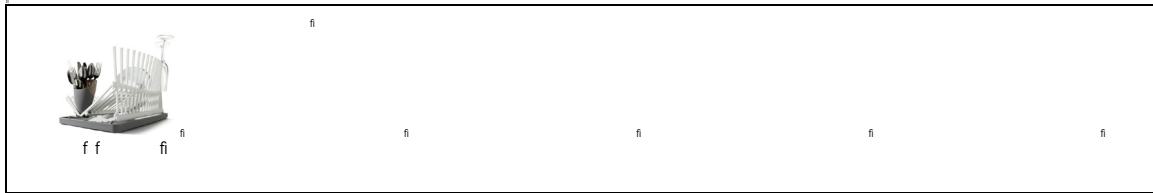
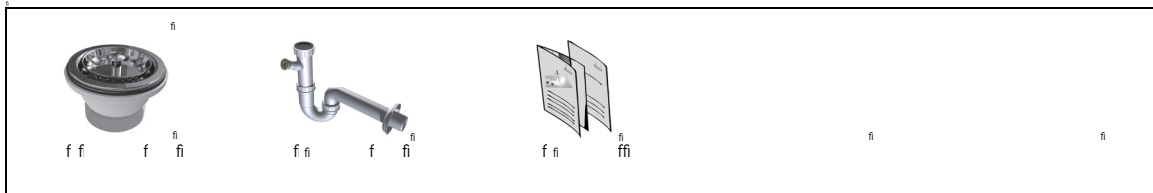
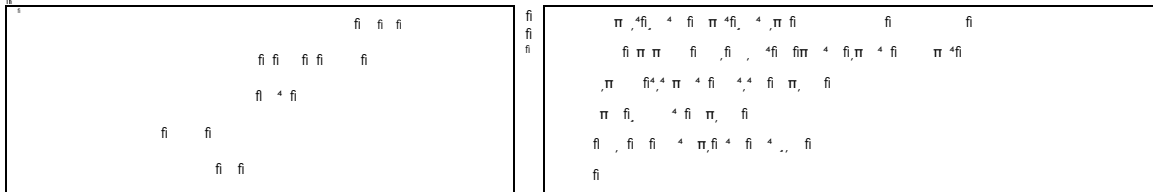
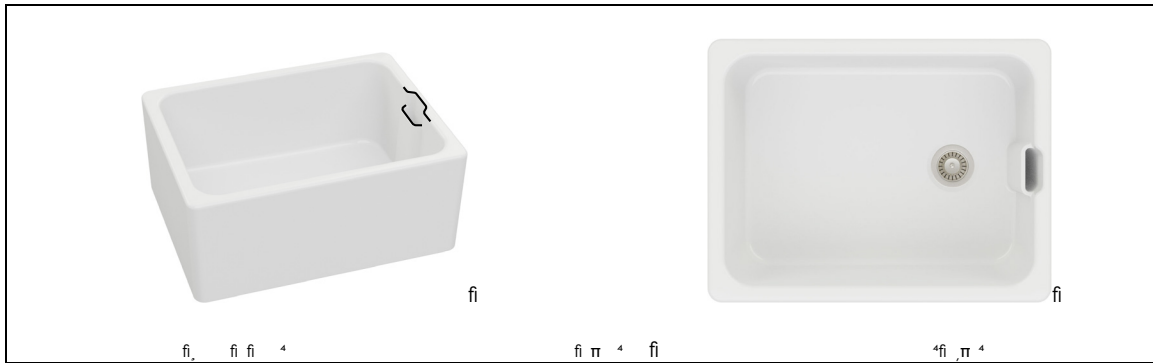
Bowl 3 apx. volume (litres): N/A


Important: Please retain this sheet for future use

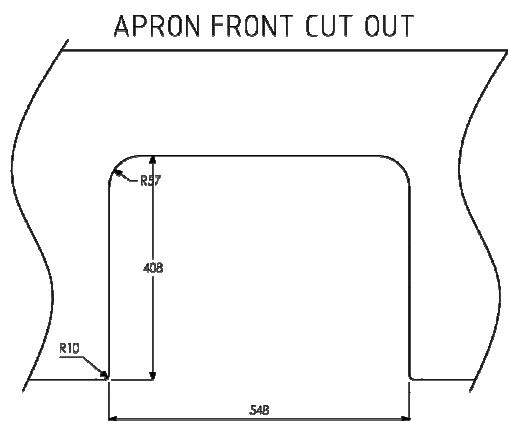
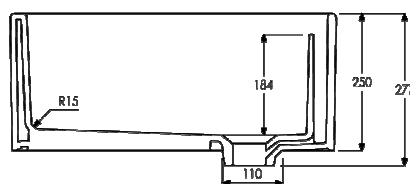
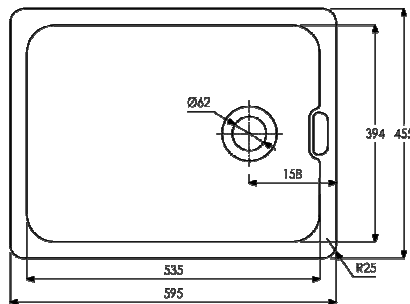
abode

fireclay ceramic

fireclay ceramic



Product dimensions and installation information: note:  symbol indicates position of acoustic pad on stainless products.



Additional notes: Ceramic is a natural hand finished material, you should expect small variances in product finishes and sizes
Overall product size: 595 x 455 x 275 corner radius 25mm

Tap hole(s) detail: None

Compatibility with large square taps:

Waste hole(s) detail (mm): 62 / N/A / N/A (nb. 90mm wastes accept a waste disposal unit)

Min. base unit (refers to space required for bowl, tap and overflow only): fits 600mm carcass

Min. Recessed fitting width: required (bowl(s), tap and overflow): 595mm

***Worktop cut out size:** 548x0 corner radius 0mm, for .DXF cut files please see www.abode.eu

Min. & Max worktop depth or clip depth reach range: 0 - 0mm

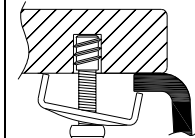
Fitting temple supplied? No, use cut out instructions as supplied

Dishwasher under drainer? Distance from top of worktop to underside of the drainer 0mm



***Important, fabricator / installer notes for undermount & flushmount sinks:**

The cut out size indicated is aligned with outside edge of the bowl top radius (see example below).



You should confirm with your client if the worksurface cutout is to be cut flush, inside or outside this suggested perimeter shape & size.

If you create the cutout smaller or larger than the indicated size then the fit of the accessories may be affected and should be physically checked.

General:

All details are provided in good faith but do not include the tolerances of the material or manufacturing process.

We request that a test cutout is made in scrap timber and checked against the actual sink to be installed before committing to cutting the final worksurface.

Abode can not accept liability for problems or costs incurred by failure to follow this request.

Note: the dimensions on ceramic fireclay products are subject to wider tolerances due to the nature of this natural material and the firing process.

CAD cutout files can be downloaded from www.abodedesigns.co.uk

Bowl details: (sizes in mm unless specified otherwise)

Bowl 1 (typically main bowl):

Bowl 1 size L x W x D (mm): 535 x 394 x 184

Bowl 1 construction: Moulded, 10.00mm

Bowl 1 floor radius (mm): 15

Bowl 1 Wastehole diameter (mm): 62

Bowl 1 overflow: Weir overflow

Bowl 1 texture: White glaze

Bowl 1 apx. volume (litres): 42.30

Bowl 2 (typically 1/2 or 3/4 bowl):

Bowl 2 size L x W x D (mm): N/A x N/A x N/A

Bowl 2 construction: N/A, N/Amm

Bowl 2 floor radius (mm): N/A

Bowl 2 Wastehole diameter (mm): N/A

Bowl 2 overflow: N/A

Bowl 2 texture: N/A

Bowl 2 apx. volume (litres): N/A

Bowl 3:

Bowl 3 size L x W x D (mm): N/A x N/A x N/A

Bowl 3 construction: N/A, N/Amm

Bowl 3 floor radius (mm): N/A

Bowl 3 Wastehole diameter (mm): N/A

Bowl 3 overflow: N/A

Bowl 3 texture: N/A

Bowl 3 apx. volume (litres): N/A

Black Granite Inset - Composite

1.0 Bowl & drainer



Fitting type: Inset

Sink handing: Reversible

Finish style: Granite Black

- **Min. base unit (bowl, tap & overflow only): 450mm**
- **Overall product size:** 780 x 480 x 195mm
- **Packaged size L x W x D:** 912 x 610 x 270mm
- **Supplied boxed or sleeved:** Boxed
- **Boxed weight:** 16.50 kg
- **Sink only weight:** 11.40 kg

- Durable matt finish granite composite construction throughout
- Compact sink designed to complement smaller kitchens
- Reversible drainer position for maximum flexibility
- Easy clean bowl curves
- Practical basket waste supplied

Included parts:



1 X AX1047
90mm (1.5") 1 x bsw and round
overflow - long bolt



1 X AX1033
Composite inset fixing clips x 8



1 X INST
Fitting & care instructions

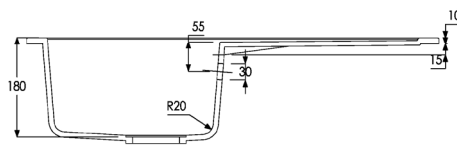
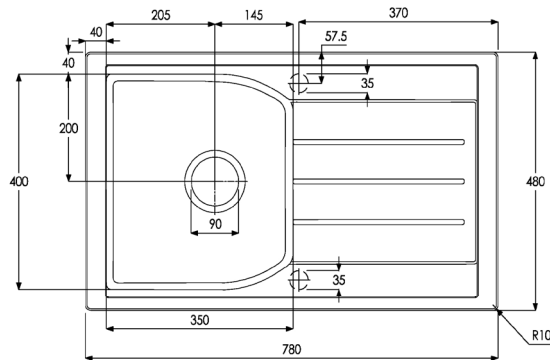
Materials and workmanship warranty summary:

- Sink materials & workmanship 10 year.
- Waste kits 1 year.

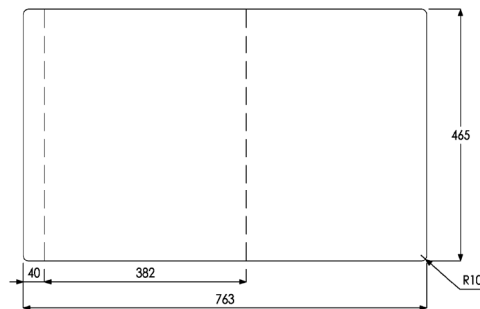
Care instructions:

- Clean the products regularly using soapy water and a non abrasive cloth, regular cleaning will prevent the build up of lime scale and dirt.
- Avoid contact with corrosive or abrasive substances.
- After cleaning rinse thoroughly with clean water then dry.

Product dimensions and installation information: note:  symbol indicates position of acoustic pad.



INSET CUT OUT



Overall product size: 780 x 480 x 195 corner radius 10mm

Tap hole(s) detail: 2 x part drilled

Wastehole(s) detail (mm): 90 / N/A / N/A (nb. 90mm wastes accept a waste disposal unit)

Min. base unit (refers to space required for bowl, tap and overflow only): fits 450mm carcass

Min. Recessed fitting width: required (bowl(s), tap and overflow: 382mm

***Worktop cut out size:** 763x465 corner radius 10mm (see drawing and installation notes)

Min. & Max worktop depth or clip depth reach range: 23 - 45mm

Fitting temple supplied? No, use cut out instructions as supplied

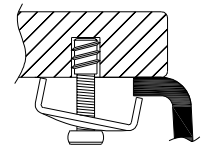
Dishwasher under drainer? Distance from top of worktop to underside of the drainer 15mm

Other:

***Important, fabricator / installer notes:**

For undermount sinks:

The cut out size indicated is aligned with outside edge of the bowl top radius (see below).



You should confirm with your client if the worksurface cutout is to be cut flush, inside or outside this suggested perimeter shape & size. If you create the cutout smaller or larger than the indicated size then the fit of the accessories may be affected and should be physically checked.

General:

All details are provided in good faith but do not include the tolerances of the material or manufacturing process. We request that a test cutout is made in scrap timber and checked against the actual sink to be installed before committing to cutting the final worksurface.

Abode can not accept liability for problems or costs incurred by failure to follow this request.

Note: the dimensions on ceramic fireclay products are subject to wider tolerances due to the nature of this natural material and the firing process. CAD cutout files are available on request

Bowl details: (sizes in mm unless specified otherwise)

Bowl 1 (typically main bowl):

- Bowl 1 size L x W x D (mm):** 400 x 350 x 180
- Bowl 1 construction:** Moulded, 10.00mm
- Bowl 1 floor radius (mm):** 20
- Bowl 1 Wastehole diameter (mm):** 90
- Bowl 1 overflow:** Circular, 30mm diameter
- Bowl 1 texture:** Matt textured
- Bowl 1 apx. volume (litres):** 16.00

Bowl 2 (typically 1/2 or 3/4 bowl):

- Bowl 2 size L x W x D (mm):** N/A x N/A x N/A
- Bowl 2 construction:** N/A, N/Amm
- Bowl 2 floor radius (mm):** N/A
- Bowl 2 Wastehole diameter (mm):** N/A
- Bowl 2 overflow:** N/A
- Bowl 2 texture:** N/A
- Bowl 2 apx. volume (litres):** N/A

Bowl 3:

- Bowl 3 size L x W x D (mm):** N/A x N/A x N/A
- Bowl 3 construction:** N/A, N/Amm
- Bowl 3 floor radius (mm):** N/A
- Bowl 3 Wastehole diameter (mm):** N/A
- Bowl 3 overflow:** N/A
- Bowl 3 texture:** N/A
- Bowl 3 apx. volume (litres):** N/A

Important: Please retain this sheet for future use

Black Granite Inset - Composite

1.5 Bowl & drainer



Fitting type: Inset

Sink handing: Reversible

Finish style: Granite Black

- **Min. base unit (bowl, tap & overflow only): 600mm**
- **Overall product size:** 950 x 480 x 195mm
- **Packaged size L x W x D:** 1028 x 610 x 280mm
- **Supplied boxed or sleeved:** Boxed
- **Boxed weight:** 20.30 kg
- **Sink only weight:** 15.00 kg

- Durable matt finish granite composite construction throughout
- One a half bowl design for maximum practicality
- Reversible drainer position for maximum flexibility
- Easy clean bowl curves
- Practical basket waste supplied

Included parts:



1 X AX1048
90mm (1.5") 2 x bsw and round
overflow - long bolt



1 X AX1033
Composite inset fixing clips x 8



1 X INST
Fitting & care instructions

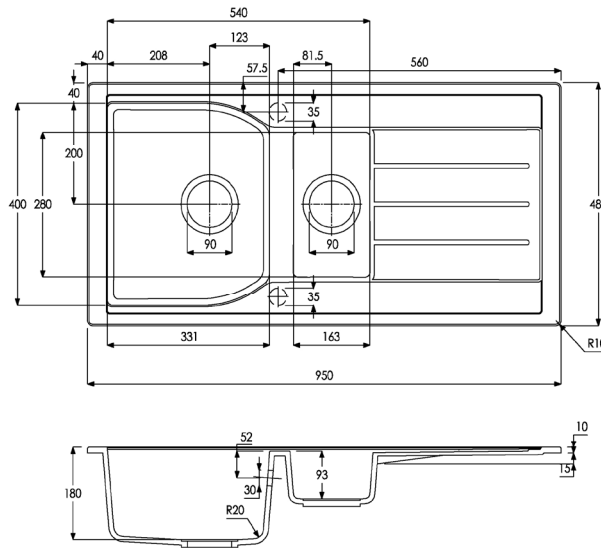
Materials and workmanship warranty summary:

- Sink materials & workmanship 10 year.
- Waste kits 1 year.

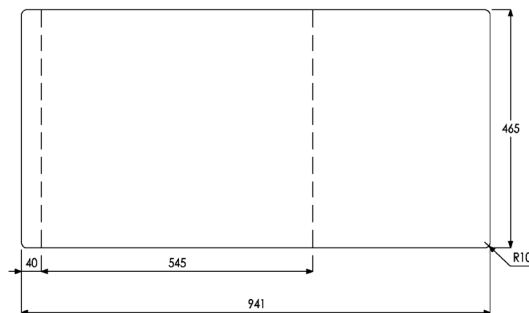
Care instructions:

- Clean the products regularly using soapy water and a non abrasive cloth, regular cleaning will prevent the build up of lime scale and dirt.
- Avoid contact with corrosive or abrasive substances.
- After cleaning rinse thoroughly with clean water then dry.

Product dimensions and installation information: note:  symbol indicates position of acoustic pad.



INSET CUT OUT



Overall product size: 950 x 480 x 195 corner radius 10mm

Tap hole(s) detail: 2 x part drilled

Wastehole(s) detail (mm): 90 / 90 / N/A (nb. 90mm wastes accept a waste disposal unit)

Min. base unit (refers to space required for bowl, tap and overflow only): fits 600mm carcass

Min. Recessed fitting width: required (bowl(s), tap and overflow: 545mm

***Worktop cut out size:** 941x465 corner radius 10mm (see drawing and installation notes)

Min. & Max worktop depth or clip depth reach range: 28 - 45mm

Fitting temple supplied? No, use cut out instructions as supplied

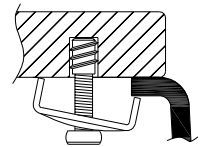
Dishwasher under drainer? Distance from top of worktop to underside of the drainer 15mm

Other:

***Important, fabricator / installer notes:**

For undermount sinks:

The cut out size indicated is aligned with outside edge of the bowl top radius (see below).



You should confirm with your client if the worksurface cutout is to be cut flush, inside or outside this suggested perimeter shape & size. If you create the cutout smaller or larger than the indicated size then the fit of the accessories may be affected and should be physically checked.

General:

All details are provided in good faith but do not include the tolerances of the material or manufacturing process. We request that a test cutout is made in scrap timber and checked against the actual sink to be installed before committing to cutting the final worksurface.

Abode can not accept liability for problems or costs incurred by failure to follow this request.

Note: the dimensions on ceramic fireclay products are subject to wider tolerances due to the nature of this natural material and the firing process.

CAD cutout files are available on request

Bowl details: (sizes in mm unless specified otherwise)

Bowl 1 (typically main bowl):

Bowl 1 size L x W x D (mm): 400 x 331 x 180

Bowl 1 construction: Moulded, 10.00mm

Bowl 1 floor radius (mm): 20

Bowl 1 Wastehole diameter (mm): 90

Bowl 1 overflow: Circular, 30mm diameter

Bowl 1 texture: Matt textured

Bowl 1 apx. volume (litres): 16.00

Bowl 2 (typically 1/2 or 3/4 bowl):

Bowl 2 size L x W x D (mm): 280 x 163 x 93

Bowl 2 construction: Moulded, 10.00mm

Bowl 2 floor radius (mm): 10

Bowl 2 Wastehole diameter (mm): 90

Bowl 2 overflow: N/A

Bowl 2 texture: Matt texture

Bowl 2 apx. volume (litres): 3.90

Bowl 3:

Bowl 3 size L x W x D (mm): N/A x N/A x N/A

Bowl 3 construction: N/A, N/Amm

Bowl 3 floor radius (mm): N/A

Bowl 3 Wastehole diameter (mm): N/A

Bowl 3 overflow: N/A

Bowl 3 texture: N/A

Bowl 3 apx. volume (litres): N/A

Important: Please retain this sheet for future use

abode

Dune
1.5 Bowl & drainer



Fitting type: Inset

Sink handing: Reversible

Finish style: Grey metallic granite

- **Min. base unit (bowl, tap & overflow only):** 600 mm
- **Packaged size L x W x D:** 1100 x 610 x 280mm
- **Supplied boxed or sleeved:** Boxed
- **Boxed weight:** 23.90 kg
- **Sink only weight:** 19.15 kg

- Durable matt finish granite composite construction throughout
- Flowing sweeping contemporary curves
- Supplied with all parts required
- Sleek brushed metal 'hidden' orbit overflow design
- Smooth lined luxury Orbit waste supplied as standard

Included parts:



2 x AX1002 (m)
90mm (1.5") Orbit manual basket
strainer waste - long bolt



1 x AX1007 (m)
Round overflow pipework



1 x AX1009 (m)
1.5 or 2.0 Bowl pipework



1 x AX1033 (m)
Composite inset fixing clips x 8



1 x AX4004 (m)
Fitting & care instructions & data sheet
- coloured inset

Recommended accessories:



1 x AX2503
High & Dry drainer rack - White and
grey


All accessories can be
purchased directly from
www.abode-shop.co.uk
or phone 01226 283434

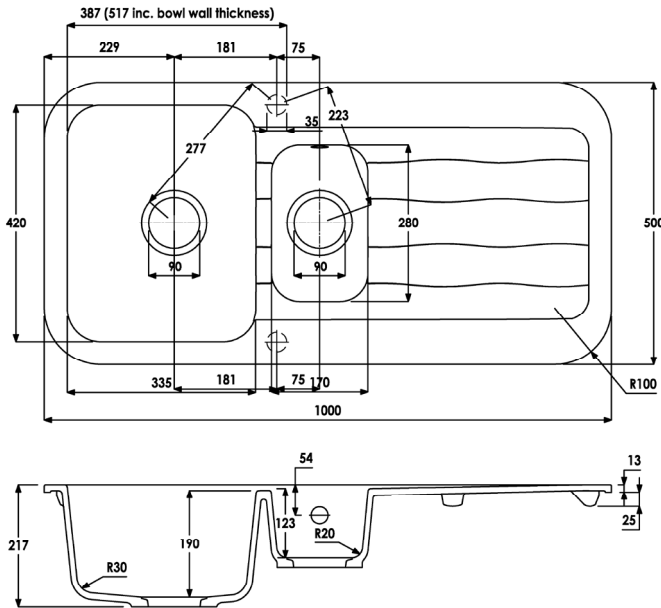
Materials and workmanship warranty summary:

- Sink materials & workmanship 10 years.
- Waste kits 1 year.
- Connecting pipework 1 year.

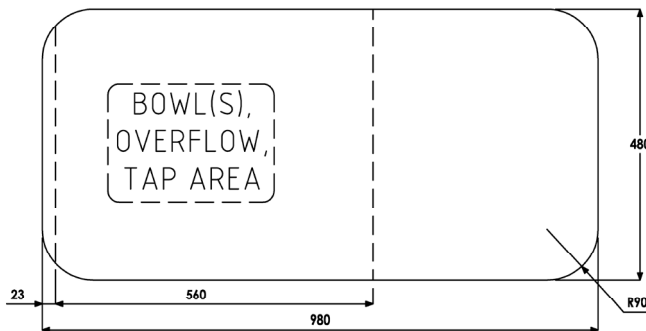
Care instructions:

- Clean the products regularly using soapy water and a non abrasive cloth, regular cleaning will prevent the build up of lime scale and dirt.
- Avoid contact with corrosive or abrasive substances.
- After cleaning rinse thoroughly with clean water then dry.
- For more detail see supplied booklet or www.abodedesigns.co.uk

Product dimensions and installation information: note:  symbol indicates position of acoustic pad on stainless products.



INSET CUT OUT



Additional notes: Repeated release of boiling hot water directly into coloured sinks can in extreme cases cause crazing and even cracking. Therefore we recommend great care is taken not to release the water directly on to the sink surface at full temperature.

Overall product size: 1000 x 500 x 217 corner radius 100mm

Taphole(s) detail: 2 x Ø 35mm, Part drilled for drill guide

Compatibility with large square taps:

Wastehole(s) detail (mm): 90 / 90 / N/A (nb. 90mm wastes accept a waste disposal unit)

Min. base unit (refers to space required for bowl, tap and overflow only): fits 600mm carcass

Min. Recessed fitting width: required (bowl(s), tap and overflow: 560mm

***Worktop cut out size:** 980x480 corner radius 90mm, for .DXF cut files please see www.abode.eu

Min. & Max worktop depth or clip depth reach range: 27 - 45mm

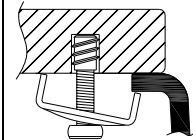
Fitting temple supplied? No, use cut out instructions as supplied

Dishwasher under drainer? Distance from top of worktop to underside of the drainer 25mm



***Important, fabricator / installer notes for undermount & flushmount sinks:**

The cut out size indicated is aligned with outside edge of the bowl top radius (see example below).



You should confirm with your client if the worksurface cutout is to be cut flush, inside or outside this suggested perimeter shape & size.

If you create the cutout smaller or larger than the indicated size then the fit of the accessories may be affected and should be physically checked.

General:

All details are provided in good faith but do not include the tolerances of the material or manufacturing process.

We request that a test cutout is made in scrap timber and checked against the actual sink to be installed before committing to cutting the final worksurface.

Abode can not accept liability for problems or costs incurred by failure to follow this request.

Note: the dimensions on ceramic fireclay products are subject to wider tolerances due to the nature of this natural material and the firing process.

CAD cutout files can be downloaded from www.abodedesigns.co.uk

Bowl details: (sizes in mm unless specified otherwise)

Bowl 1 (typically main bowl):

Bowl 1 size L x W x D (mm): 335 x 420 x 190

Bowl 1 construction: Moulded, 11.00mm

Bowl 1 floor radius (mm): 30

Bowl 1 Wastehole diameter (mm): 90

Bowl 1 overflow: n/a

Bowl 1 texture: Matt textured

Bowl 1 apx. volume (litres): 24.80

Bowl 2 (typically 1/2 or 3/4 bowl):

Bowl 2 size L x W x D (mm): 170 x 280 x 123

Bowl 2 construction: Moulded, 13.00mm

Bowl 2 floor radius (mm): 20

Bowl 2 Wastehole diameter (mm): 90

Bowl 2 overflow: Circular, 30mm diameter

Bowl 2 texture: Matt textured

Bowl 2 apx. volume (litres): 2.90

Bowl 3:

Bowl 3 size L x W x D (mm): N/A x N/A x N/A

Bowl 3 construction: N/A, N/Amm

Bowl 3 floor radius (mm): N/A

Bowl 3 Wastehole diameter (mm): N/A

Bowl 3 overflow: N/A

Bowl 3 texture: N/A

Bowl 3 apx. volume (litres): N/A

ACT2092 - Single Lever

Product Finish: Chrome

EAN13 barcode:

5060344153447



Product features:

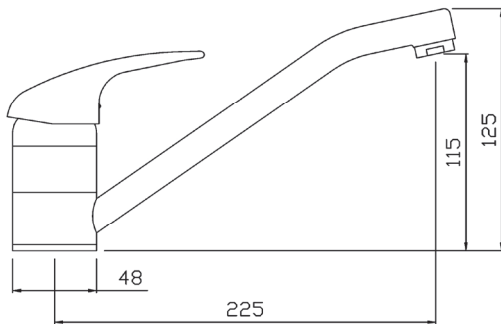
- Metal construction throughout
- Single lever control for effortless single handed control
- Minimalist planate design form
- Antisplash spout supplied as standard
- Supplied complete with flexible tail pipes for fast simple fitting

Additional information / Parts included:

n/a

Primary WRAS fittings number (see www.wras.co.uk):
1405307

Product dimensions:



- Overall Height / projection: 125.0 mm
- Exit reach: 225.0 mm
- Exit height: 115.0 mm
- Centre distance(s): n/a
- Base diameter(s): 48.0 mm
- Recommended hole diameter: Ø35 mm
- Max. surface depth: 70.0 mm
- Spout diameter: n/a mm
- Spout aerator size: M24 x M

Packaged properties:

Box length: 310.0 mm
Box width: 130.0 mm
Tap only weight: 0.62 kg

Box depth: 70.0 mm
Units per outer: 10.0
Boxed weight: 1.00 kg

Product flow characteristics:

- Min / Max water pressure: 0.30 / 5.5 bar
- Recommended / Max water temperature: 46°C / 70°C
- Part G - Mixed flow rate at 3 bar (litres / min): 19.83

- Control valve type: 40mm Ø single lever ceramic cartridge
- Flow characteristics: Single flow
- Non return valve(s): None

Flow graph not available

- Aerator type: Honeycomb aerator
- Spout connection method: Base plinth removes
- Tail pipe inlet / outlet size: M12 / 1/2" BSP Male (with x 2 Nut & Olive)
- Inlet pipe type / length: flexible stainless braided hose / 310.0 mm

Care instructions summary:

- Clean the mixers and showers regularly as required, using soap, do not use any other cleaners.
- Regular cleaning will prevent the build up of lime scale and dirt
- After cleaning rinse thoroughly with clean water to remove any cleaner residue
- Residues of sink & worktop cleaners can also cause damage, so rinse with clean water after using, avoid contact with any abrasives

Warranty Summary (Full details available on request):

- Materials and workmanship defects warranted for 5 years
- Valves and working parts warranted for 5 years
- Surface warranty defects warranted for 1 year
- O-rings, hoses & gaskets warranted for 1 year

ACT2096 - Single Lever

Product Finish: Chrome

EAN13 barcode:

5060344153775



Product features:

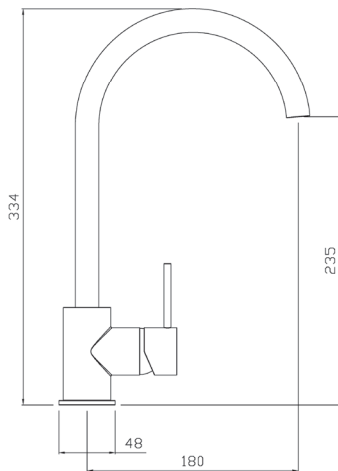
- Metal construction throughout
- Single lever control for effortless single handed control
- Minimalist planate design form
- Antisplash spout supplied as standard
- Supplied complete with flexible tail pipes for fast simple fitting

Additional information / Parts included:

1 x White triangular stabiliser - (sco06036)

Primary WRAS fittings number (see www.wras.co.uk):
tbc

Product dimensions:



- Overall Height / projection: 334.0 mm
- Exit reach: 180.0 mm
- Exit height: 235.0 mm
- Centre distance(s): n/a
- Base diameter(s): 48.0 mm
- Recommended hole diameter: Ø35 mm
- Max. surface depth: 40.0 mm
- Spout diameter: 20 mm
- Spout aerator size: M16 x F

Packaged properties:

Box length: 420.0 mm
Box width: 240.0 mm
Tap only weight: 0.96 kg

Box depth: 75.0 mm
Units per outer: 5.0
Boxed weight: 1.60 kg

Product flow characteristics:

- Min / Max water pressure: 0.60 / 5.5 bar
- Recommended / Max water temperature: 46°C / 70°C
- Part G - Mixed flow rate at 3 bar (litres / min): 12.01

- Control valve type: 35mm Ø single lever ceramic cartridge
- Flow characteristics: Single flow
- Non return valve(s): Integral to Hot & Cold inlets

Flow graph not available

- Aerator type: Honeycomb aerator (Coin slot)
- Spout connection method: Rear of body
- Tail pipe inlet / outlet size: M10 / 1/2" BSP Male
- Inlet pipe type / length: flexible stainless braided hose / 245.0 mm

Care instructions summary:

- Clean the mixers and showers regularly as required, using soap, do not use any other cleaners.
- Regular cleaning will prevent the build up of lime scale and dirt
- After cleaning rinse thoroughly with clean water to remove any cleaner residue
- Residues of sink & worktop cleaners can also cause damage, so rinse with clean water after using, avoid contact with any abrasives

Warranty Summary (Full details available on request):

- Materials and workmanship defects warranted for 5 years
- Valves and working parts warranted for 5 years
- Surface warranty defects warranted for 1 year
- O-rings, hoses & gaskets warranted for 1 year

Product Finish: Chrome

Product code: AT1254
EAN13 barcode: 5060344153621



Product features:

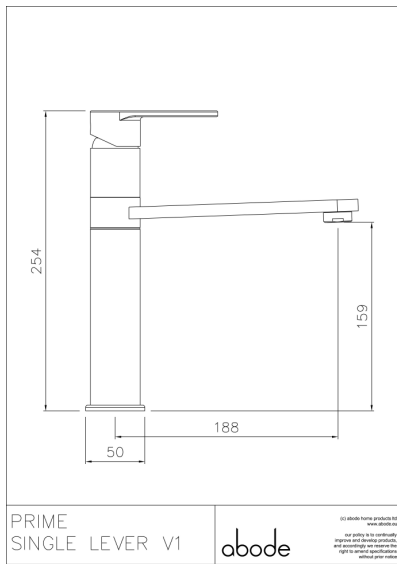
- Metal construction throughout
- Subtle soft sweeping design form
- Single lever control for effortless single handed control
- Supplied complete with flexible tail pipes for fast simple fitting
- Antisplash spout supplied as standard

Additional information / Parts included:

Includes triangular stabilising bracket, 1 x 2.0mm A/F Allen key - sco06038 kit

Note: the image shown may not reflect the product finish, chrome finish is typically depicted.

Product dimensions:



- **Overall Height / projection:** 254 mm
- **Exit reach:** 188 mm
- **Exit height:** 159 mm
- **Centre distance(s):**

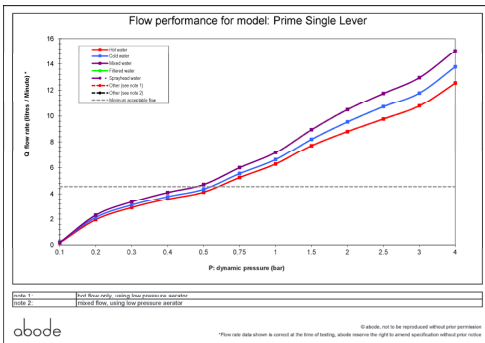
- **Base diameter(s):** 50 mm
- **Recommended hole diameter:** Ø 35 mm
- **Max. surface depth:** 50 mm

- **Spout diameter:** 35 x 10 mm
- **Spout aerator size:** M24x1

Packaged properties:

- Box length:** 420mm **Box depth:** 75mm
- Box width:** 235mm **Units per outer:** 5
- Tap only weight:** 1.65kg **Boxed weight:** 0.99kg

Product flow characteristics:



- **Min / Max water pressure:** 0.50 / 5.5 bar
- **Recommended / Max water temperature:** 46°C / 70°C
- **Part G - Mixed flow rate at 3 bar (litres / min):** 12.96

- **Control valve type:** Single lever ceramic cartridge
- **Product flow characteristics:** Single flow
- **Non return valve(s):** Hot & cold (integral to tails)

- **Aerator type:** Honeycomb aerator
- **Accepts revolve / spray areator:** Yes
- **Spout connection method:** N/a

- **Tail pipe inlet / outlet size:** M10 / 1/2" BSP Male
- **Inlet pipe type / length:** flexible stainless braided hose / 365 mm

Care instructions summary:

- Clean the mixers and showers regularly as required, using soap, do not use any other cleaners.
- Regular cleaning will prevent the build up of lime scale and dirt
- After cleaning rinse thoroughly with clean water to remove any cleaner residue
- Residues of sink & worktop cleaners can also cause damage, so rinse with clean water after using, avoid contact with any abrasives

Warranty Summary (Full details available on request):

- Materials and workmanship defects warranted for 5 years
- Valves and working parts warranted for 5 years
- Surface warranty defects warranted for 1 year
- O-rings, hoses & gaskets warranted for 1 year

ACT2001 - Dual Handle Monobloc

Product Finish: Chrome

EAN13 barcode:

5060048381061



Product features:

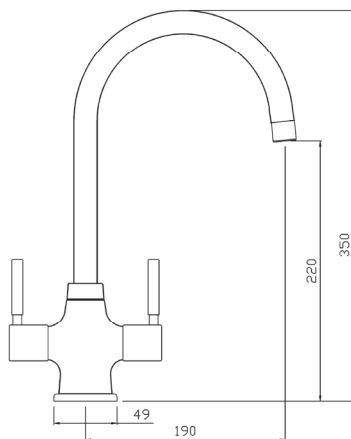
- Metal construction throughout
- Quarter turn handle action for precise flow control
- Minimalist planate design form
- Antisplash spout supplied as standard
- Supplied with copper tail pipes for maximum stability and flow

Additional information / Parts included:

(sco06018)

Primary WRAS fittings number (see www.wras.co.uk):
 1107320

Product dimensions:



- **Overall Height / projection:** 350.0 mm
- **Exit reach:** 190.0 mm
- **Exit height:** 220.0 mm
- **Centre distance(s):** n/a
- **Base diameter(s):** 50.0 mm
- **Recommended hole diameter:** Ø35 mm
- **Max. surface depth:** 30.0 mm
- **Spout diameter:** 22 mm
- **Spout aerator size:** M22 x 1 F

Packaged properties:

Box length: 420.0 mm
Box width: 235.0 mm
Tap only weight: 1.32 kg

Box depth: 75.0 mm
Units per outer: 5.0
Boxed weight: 1.84 kg

Product flow characteristics:

- **Min / Max water pressure:** 0.30 / 5.5 bar
- **Recommended / Max water temperature:** 46°C / 70°C
- **Part G - Mixed flow rate at 3 bar (litres / min):** 16.70

- **Control valve type:** 1/2" Ceramic disc QT
- **Flow characteristics:** Dual flow (H/C)
- **Non return valve(s):** None

Flow graph not available

- **Aerator type:** Honeycomb aerator
- **Spout connection method:** Locking Collar
- **Tail pipe inlet / outlet size:** M12 / 15mm OD
- **Inlet pipe type / length:** Copper tube / 245.0 mm

Care instructions summary:

- Clean the mixers and showers regularly as required, using soap, do not use any other cleaners.
- Regular cleaning will prevent the build up of lime scale and dirt
- After cleaning rinse thoroughly with clean water to remove any cleaner residue
- Residues of sink & worktop cleaners can also cause damage, so rinse with clean water after using, avoid contact with any abrasives

Warranty Summary (Full details available on request):

- Materials and workmanship defects warranted for 5 years
- Valves and working parts warranted for 5 years
- Surface warranty defects warranted for 1 year
- O-rings, hoses & gaskets warranted for 1 year

ACT2099 - Dual Handle Monobloc

Product Finish: Chrome

EAN13 barcode:

5060344153805



Product features:

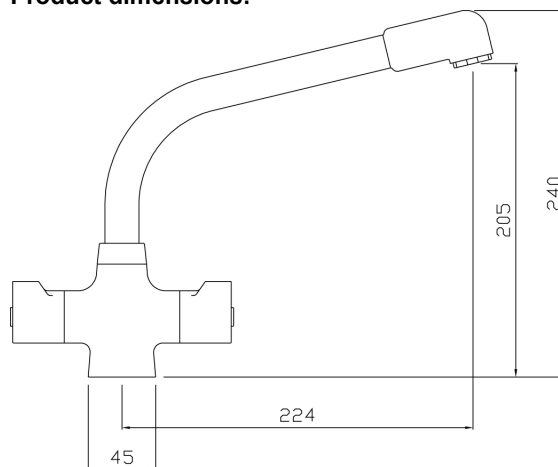
- Metal construction throughout
- Quarter turn handle action for precise flow control
- Custom designed for lower to mid pressures
- Supplied with copper tail pipes for maximum stability and flow
- Luscious quality chromium plate finish

Additional information / Parts included:

(sco06020)

Primary WRAS fittings number (see www.wras.co.uk):
1107318

Product dimensions:



- Overall Height / projection: 240.0 mm
- Exit reach: 224.0 mm
- Exit height: 205.0 mm
- Centre distance(s): n/a
- Base diameter(s): 45.0 mm
- Recommended hole diameter: Ø35 mm
- Max. surface depth: 35.0 mm
- Spout diameter: 22 mm
- Spout aerator size: M24 x1 M

Packaged properties:

Box length: 420.0 mm
Box width: 235.0 mm
Tap only weight: 1.14 kg

Box depth: 75.0 mm
Units per outer: 5.0
Boxed weight: 1.48 kg

Product flow characteristics:

- Min / Max water pressure: 0.30 / 5.5 bar
- Recommended / Max water temperature: 46°C / 70°C
- Part G - Mixed flow rate at 3 bar (litres / min): 39.67

- Control valve type: 1/2" Ceramic disc QT
- Flow characteristics: Dual flow (H/C)
- Non return valve(s): None

Flow graph not available

- Aerator type: Flow Straightener
- Spout connection method: Locking Collar
- Tail pipe inlet / outlet size: M12 x 1 / 15mm OD
- Inlet pipe type / length: Copper rigid tube / 245.0 mm

Care instructions summary:

- Clean the mixers and showers regularly as required, using soap, do not use any other cleaners.
- Regular cleaning will prevent the build up of lime scale and dirt
- After cleaning rinse thoroughly with clean water to remove any cleaner residue
- Residues of sink & worktop cleaners can also cause damage, so rinse with clean water after using, avoid contact with any abrasives

Warranty Summary (Full details available on request):

- Materials and workmanship defects warranted for 5 years
- Valves and working parts warranted for 5 years
- Surface warranty defects warranted for 1 year
- O-rings, hoses & gaskets warranted for 1 year

ACT2002 - Dual Handle Monobloc

Product Finish: Brushed Nickel

EAN13 barcode:

5060048381078



Product features:

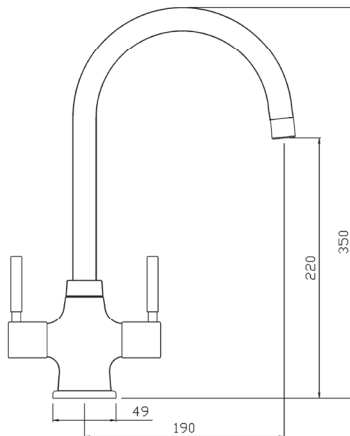
- Metal construction throughout
- Quarter turn handle action for precise flow control
- Minimalist planate design form
- Antisplash spout supplied as standard
- Supplied with copper tail pipes for maximum stability and flow

Additional information / Parts included:

(sco06018)

Primary WRAS fittings number (see www.wras.co.uk):
1107320

Product dimensions:



- **Overall Height / projection:** 350.0 mm
- **Exit reach:** 190.0 mm
- **Exit height:** 220.0 mm
- **Centre distance(s):** n/a
- **Base diameter(s):** 50.0 mm
- **Recommended hole diameter:** Ø35 mm
- **Max. surface depth:** 30.0 mm
- **Spout diameter:** 22 mm
- **Spout aerator size:** M22 x 1 F

Packaged properties:

Box length: 420.0 mm
Box width: 235.0 mm
Tap only weight: 1.32 kg

Box depth: 75.0 mm
Units per outer: 5.0
Boxed weight: 1.84 kg

Product flow characteristics:

- **Min / Max water pressure:** 0.30 / 5.5 bar
- **Recommended / Max water temperature:** 46°C / 70°C
- **Part G - Mixed flow rate at 3 bar (litres / min):** 16.70

- **Control valve type:** 1/2" Ceramic disc QT
- **Flow characteristics:** Dual flow (H/C)
- **Non return valve(s):** None

Flow graph not available

- **Aerator type:** Honeycomb aerator
- **Spout connection method:** Locking Collar
- **Tail pipe inlet / outlet size:** M12 / 15mm OD
- **Inlet pipe type / length:** Copper tube / 245.0 mm

Care instructions summary:

- Clean the mixers and showers regularly as required, using soap, do not use any other cleaners.
- Regular cleaning will prevent the build up of lime scale and dirt
- After cleaning rinse thoroughly with clean water to remove any cleaner residue
- Residues of sink & worktop cleaners can also cause damage, so rinse with clean water after using, avoid contact with any abrasives

Warranty Summary (Full details available on request):

- Materials and workmanship defects warranted for 5 years
- Valves and working parts warranted for 5 years
- Surface warranty defects warranted for 1 year
- O-rings, hoses & gaskets warranted for 1 year

Product Finish: Chrome

Product code: AT1220
EAN13 barcode: 5060048383904



Note: the image shown may not reflect the product finish, chrome finish is typically depicted.

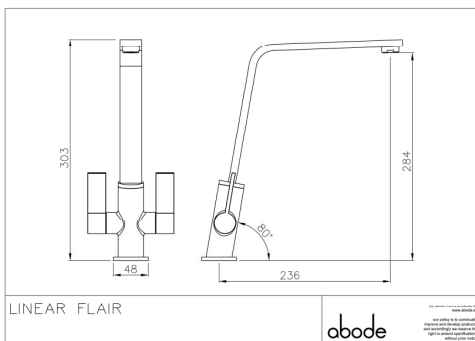
Product features:

- Metal construction throughout
- Quarter turn handle action for precise flow control
- Minimalist planate design form
- Antisplash spout supplied as standard
- Supplied complete with flexible tail pipes for fast simple fitting

Additional information / Parts included:

Includes 2.5 & 2mm Allen key & triangular stabiliser

Product dimensions:



- Overall Height / projection: 303 mm
- Exit reach: 236 mm
- Exit height: 284 mm
- Centre distance(s):

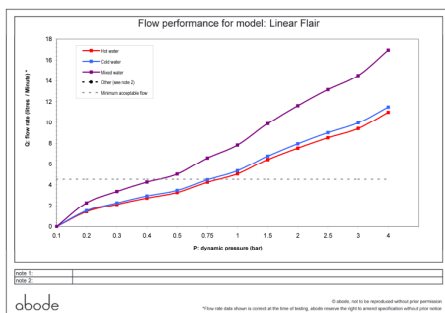
- Base diameter(s): 48 mm
- Recommended hole diameter: Ø 35 mm
- Max. surface depth: 50 mm

- Spout diameter: 30 x 10 mm
- Spout aerator size: 24mm

Packaged properties:

- Box length: 420mm
- Box width: 235mm
- Box depth: 75mm
- Units per outer:
- Tap only weight: 1.26kg
- Boxed weight: 1.86kg

Product flow characteristics:



- Min / Max water pressure: 0.50 / 5.5 bar
- Recommended / Max water temperature: 46°C / 70°C
- Part G - Mixed flow rate at 3 bar (litres / min): 14.54

- Control valve type: Ceramic disc QT
- Product flow characteristics: Single flow
- Non return valve(s): Hot & cold (integral to tails)

- Aerator type: Neoperl dark blue aerator
- Accepts revolve / spray areator: No
- Spout connection method: Grub screw

- Tail pipe inlet / outlet size: M10 / 1/2" BSP Male
- Inlet pipe type / length: flexible stainless braided hose / 370 mm

Care instructions summary:

- Clean the mixers and showers regularly as required, using soap, do not use any other cleaners.
- Regular cleaning will prevent the build up of lime scale and dirt
- After cleaning rinse thoroughly with clean water to remove any cleaner residue
- Residues of sink & worktop cleaners can also cause damage, so rinse with clean water after using, avoid contact with any abrasives

Warranty Summary (Full details available on request):

- Materials and workmanship defects warranted for 5 years
- Valves and working parts warranted for 5 years
- Surface warranty defects warranted for 1 year
- O-rings, hoses & gaskets warranted for 1 year

Product Finish: Chrome

Product code: AT1026
EAN13 barcode: 5060048380255



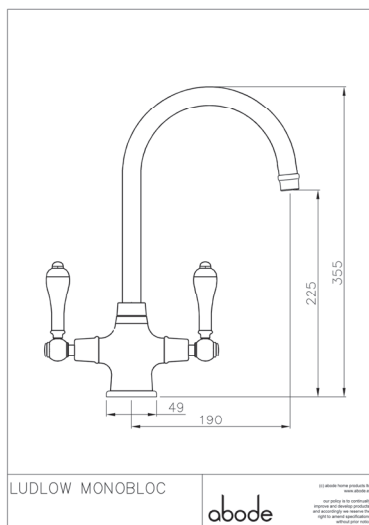
Note: the image shown may not reflect the product finish, chrome finish is typically depicted.

Product features:

- Metal & acrylic handle construction
- Custom designed for lower to mid pressures
- Elegant retro design form
- Quarter turn handle action for precise flow control
- Antisplash spout supplied as standard

Additional information / Parts included:

Product dimensions:

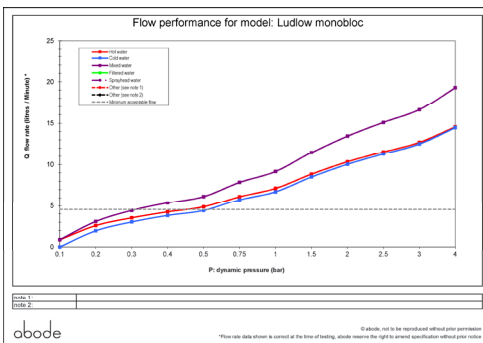


- **Overall Height / projection:** 355 mm
- **Exit reach:** 190 mm
- **Exit height:** 225 mm
- **Centre distance(s):**
- **Base diameter(s):** 49 mm
- **Recommended hole diameter:** Ø 35 mm
- **Max. surface depth:** 25 mm
- **Spout diameter:** 22 mm
- **Spout aerator size:** 22f

Packaged properties:

- Box length:** 420mm **Box depth:** 75mm
- Box width:** 240mm **Units per outer:** 5
- Tap only weight:** 1.49kg **Boxed weight:** 1.98kg

Product flow characteristics:



- **Min / Max water pressure:** 0.30 / 5.5 bar
- **Recommended / Max water temperature:** 46°C / 70°C
- **Part G - Mixed flow rate at 3 bar (litres / min):** 16.63
- **Control valve type:** Ceramic disc QT
- **Product flow characteristics:** Dual flow
- **Non return valve(s):** No, none required
- **Aerator type:** Plastic mesh diffuser
- **Accepts revolve / spray areator:** Yes
- **Spout connection method:** Locking collar
- **Tail pipe inlet / outlet size:** M12 / 15mm Ø
- **Inlet pipe type / length:** copper rigid tube / 245 mm

Care instructions summary:

- Clean the mixers and showers regularly as required, using soap, do not use any other cleaners.
- Regular cleaning will prevent the build up of lime scale and dirt
- After cleaning rinse thoroughly with clean water to remove any cleaner residue
- Residues of sink & worktop cleaners can also cause damage, so rinse with clean water after using, avoid contact with any abrasives

Warranty Summary (Full details available on request):

- Materials and workmanship defects warranted for 5 years
- Valves and working parts warranted for 5 years
- Surface warranty defects warranted for 1 year
- O-rings, hoses & gaskets warranted for 1 year