



Trade supplier to the
kitchen & bedroom industry

Date of
print/release

October
2024

Technical Guide

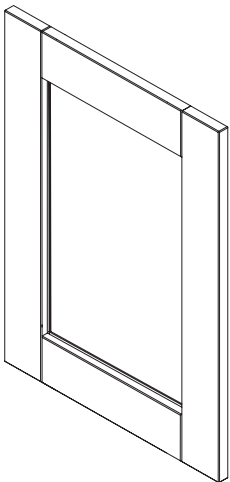


Rydal

Stocked/Paint to Order Colours

Please Note: The information shown in this literature is accurate as at the date of print/release shown on such information but it may be subject to changes after such date. Please therefore ensure that you are viewing the most current product available and check with us if you have any doubt about the suitability of the product or accuracy of the information shown.

RYDAL PRODUCT OVERVIEW

	Product Information	
	Product Description:	5 piece shaker door with flat centre panel & feature joints (foil door/overpainted foil door)
	Product Colours:	4 stocked colours/paint to order
	Product Finish:	Matt/matt overpainted, ash woodgrain structure
	Base Material:	MDF
	Base Thickness:	22mm (end panels are 18mm)
	Covering Material:	Foil/overpainted foil
	Edging Material:	Foil wrapped/overpainted foil wrap, 2mm ABS edge top and bottom
	Edging Colour:	Matches face
	Reverse Colour:	Matches face
Product Dimension:	Standard door and drawer range	

Additional Information

Stocked colours: Rydal stocked colours are foil wrapped and are not hand painted like the Rydal Paint to Order range. Please note, some of the accessories are timber which are hand painted to match the door colour.

Paint to order colours: The Rydal Paint to Order door is an overpainted foil door and is available on a lead time. Please note, some of the accessories are timber which are hand painted to match the door colour.

End panels: End panels are 18 mm thickness and have a visible grain structure on both sides. The grain direction is along the longest length. End panels are edged all round.

T&G end panels: T&G on one side, plain on the reverse. Only available in 2400 x 650 x 18mm size.

IMPORTANT PLEASE NOTE:

While we endeavour to keep the information up to date and correct we do not make any representations or warranties of any kind, express or implied, about the completeness, accuracy, reliability and suitability of the doors and products that appear in this literature.

We aim to showcase as many different items as possible in our kitchen images and therefore some products have been installed and photographed purely to show as many of our product features as possible and they should not be taken as an example of how they are intended to be installed in real kitchen installations.

It is the responsibility of the installer to check the corresponding manufacturer's installation information and the manufacturer's technical information to ensure this is up to date and to ensure that the products can be fitted in a way they are displayed and the products are suitable for your requirements.

We specifically exclude any liability in this regard unless the products are fitted in accordance with the specifications we supply and the manufacturer's installation recommendations are used in a way recommended by the manufacturer and in accordance with the manufacturer's technical information provided.

The information shown in this literature is accurate as at the date of release but it may be subject to changes after such date. Please therefore ensure that you are viewing the most current product information available and check with us if you have any doubt about the suitability of the product or accuracy of the information shown.

We are proud that all our products that we sell are covered by a statutory warranty but this does not stop all our products naturally ageing overtime. **As a result of this natural ageing process we are therefore unable to provide an identical colour finish to the existing products you have purchased from us with any products that we supply you from the same product line.** In such event our liability will be limited to the purchase price paid for the product you are seeking to replace.

Due to the limitations on photographic reproduction, colours may differ slightly from the actual products shown.

Please note that board matches listed with the doors are a suggestion only and better board matches may be available on the market. It is up to the individual to decide on its suitability.

RYDAL COLOURS STOCKED



CASHMERE

Prefix code: 422

Suggested MFC Board Match:

Egger U325



LIGHT GREY

Prefix code: 423

Suggested MFC Board Match:

Egger U708/Kronospan 0112



SAGE GREEN

Prefix code: 421

Suggested MFC Board Match:

Egger U717



INDIGO

Prefix code: 420

Suggested MFC Board Match:

Egger U599/Kronospan 8984

RYDAL COLOURS PAINT TO ORDER

PAINT TO ORDER

Prefix code: 429

36 standard colours (shown below) & bespoke option available with colour match.
Board matches vary, see Trade Index for more info.



BLUSH	Cashmere	Dusky Pink	Rose									
NEUTRAL	Super White	White	Porcelain	Chalkstone	Mussel	Stone						
EARTHY	Regiment	Taupe Grey	Pebble Grey	Dakar	Stone Grey	Lava						
GREY	White Grey	Light Grey	Silver Grey	Dust Grey	Onyx Grey	Anthracite						
GREEN	Sage Green	French Grey	Fjord	Amazon Green	Fir Green	Viridian	Reed Green					
BLUE	Denim	Smoke Blue	Midnight Blue	Sapphire Blue	Indigo Blue	Parisian Blue	Marine	Cornflower				

RYDAL PRODUCT INFORMATION

Grain Direction

Door Grain Direction

Drawer Grain Direction
283 / 355mm
Up to 175mm

Panel Grain Direction
T&G Panel only available in size 2400 x 650mm
T&G Panels are T&G on one side and plain on the reverse

Door

Product Information
5 piece foil wrapped shaker door with flat centre panel & feature joints. Paint to Order doors are overpainted.

715 x 146mm door: This is a slab door with vertical grain direction.

Detail A

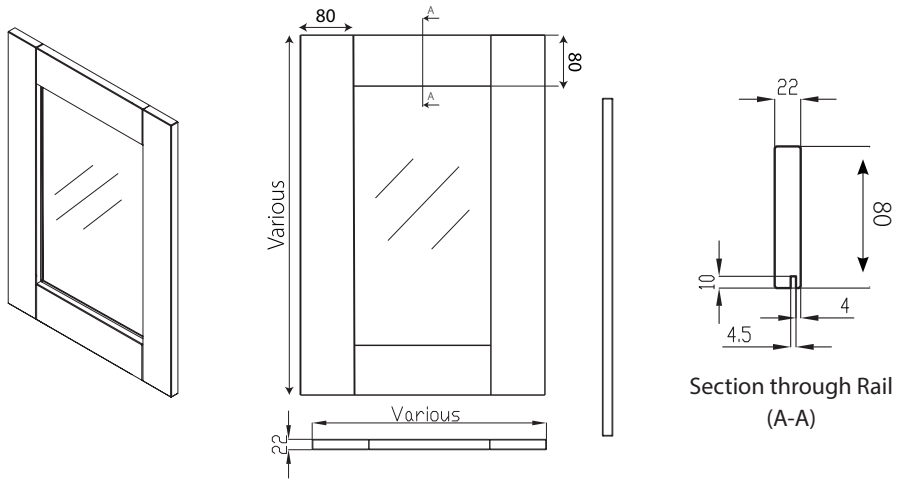
Drawer

Product Information
110/140/175mm (h)
Painted/primed MDF, slab design.

All other drawer heights are based on the door design as above.

RYDAL PRODUCT INFORMATION

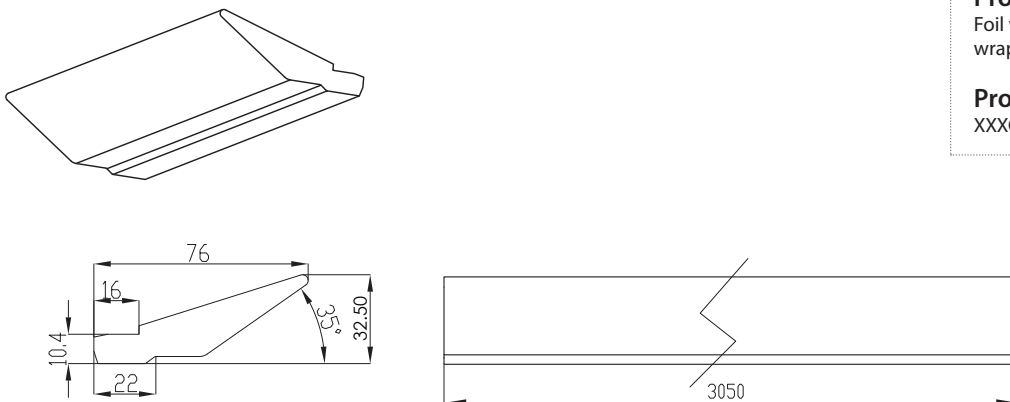
Glazed Frame Door (stocked colours)



Product Information
Foil wrapped/overpainted foil wrapped door with feature joints.

Stocked colours come ready glazed with 4mm clear toughened glass.

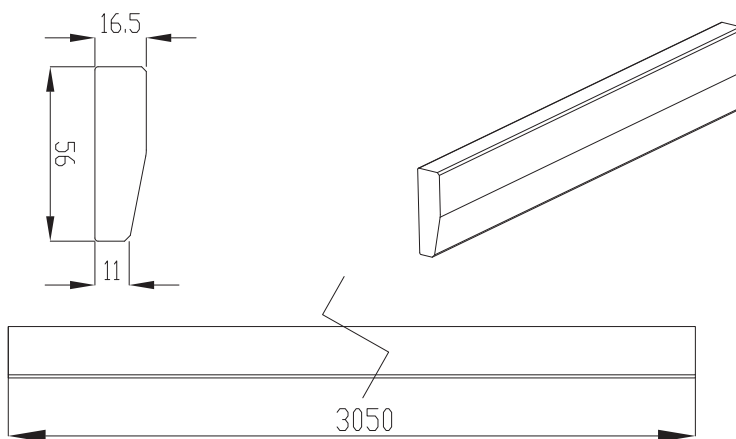
Tangent Cornice



Product Information
Foil wrapped/overpainted foil wrapped MDF.

Product Code
XXXCORNIC

Tangent Pelmet

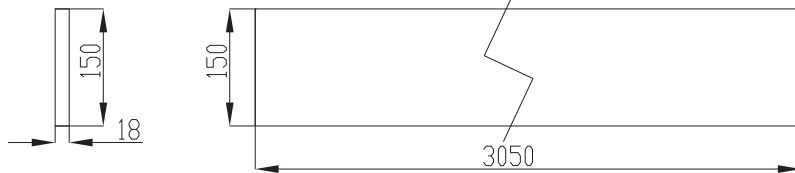
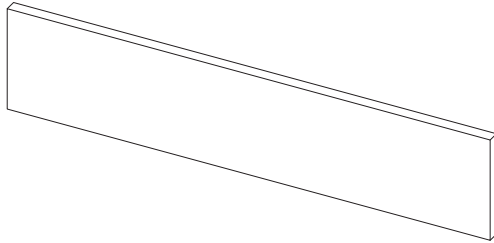


Product Information
Foil wrapped/overpainted foil wrapped MDF.

Product Code
XXXPELMET

RYDAL PRODUCT INFORMATION

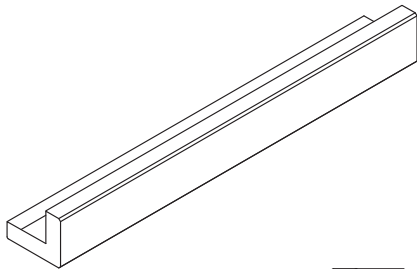
Plinth



Product Information
Foil wrapped/overpainted foil wrapped face and long edges, chipboard core.

Product Code
XXXPLINTH

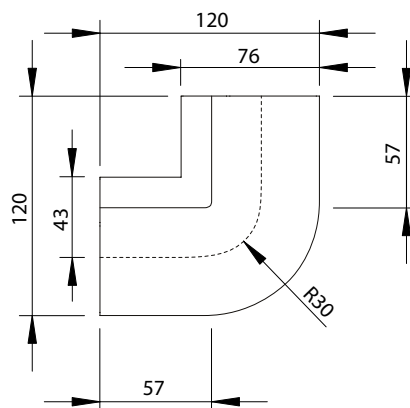
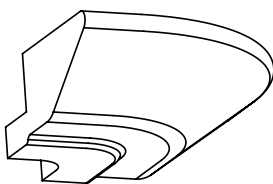
Square End Straight Cornice/Pelmet



Product Information
Foil wrapped/overpainted foil wrapped MDF.

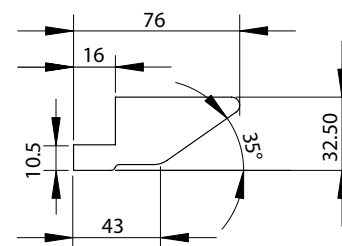
Product Code
XXXCORNICESQ

Curved Cornice Block - for use with Curved End Pillar

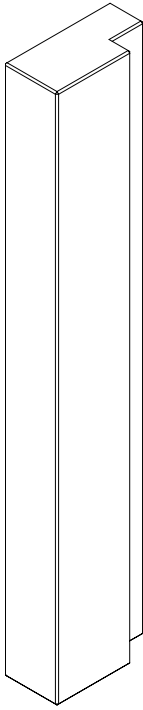
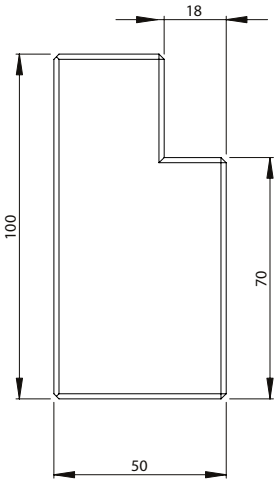
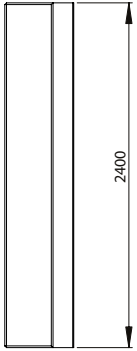
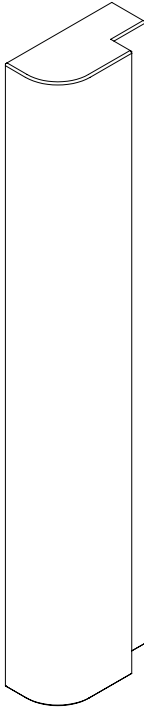
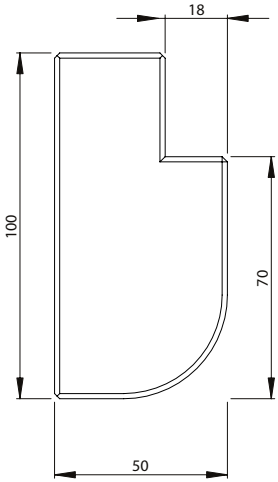
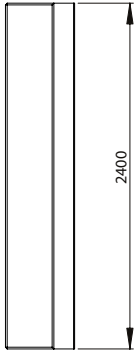


Product Information
Stocked colours are foil wrapped MDF, apart from Ivory and Sage Green which are overpainted foil wrapped MDF to match the door, as are Paint to Order doors.

Product Code
XXXRENDCORNIC



RYDAL PRODUCT INFORMATION

Straight End Pillar	Curved End Pillar
  	  
<p>Product Information Foil wrapped/overpainted foil wrapped MDF.</p> <p>Product Code XXXPILLAR</p> <p>This item can be used in conjunction with an end panel.</p>	<p>Product Information Foil wrapped/overpainted foil wrapped MDF.</p> <p>Product Code XXXRENDPILLAR</p> <p>This item can be used in conjunction with an end panel. It can also be used with the Curved Cornice Block (code: XXXRENDCORNIC).</p>

RYDAL PRODUCT INFORMATION

Corner Posts

Sold as a pair

Product Information
Foil wrapped/overpainted foil wrapped MDF.

Product Code
XXXCORNERPOST

Floor Column - painted timber

Product Information
Hand painted timber to match door, available from stock.

Product Code
XXXCOLUMN

Plate Rack 1200 - painted timber

Product Information
Hand painted timber to match door, available from stock.

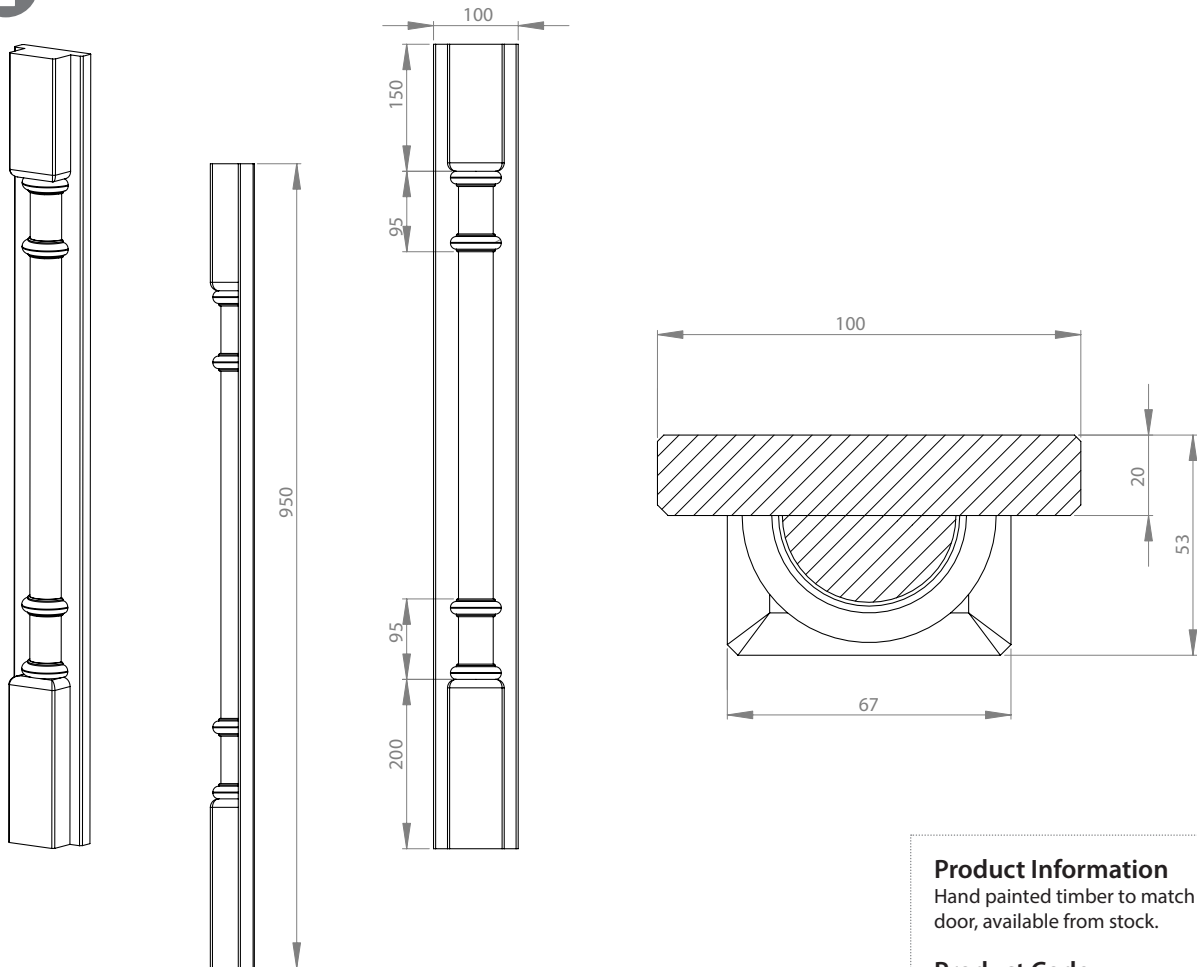
Product Code
XXXPLATE120

SECTION A-A

RYDAL PRODUCT INFORMATION

Barrel Pilaster - painted timber

T



Product Information

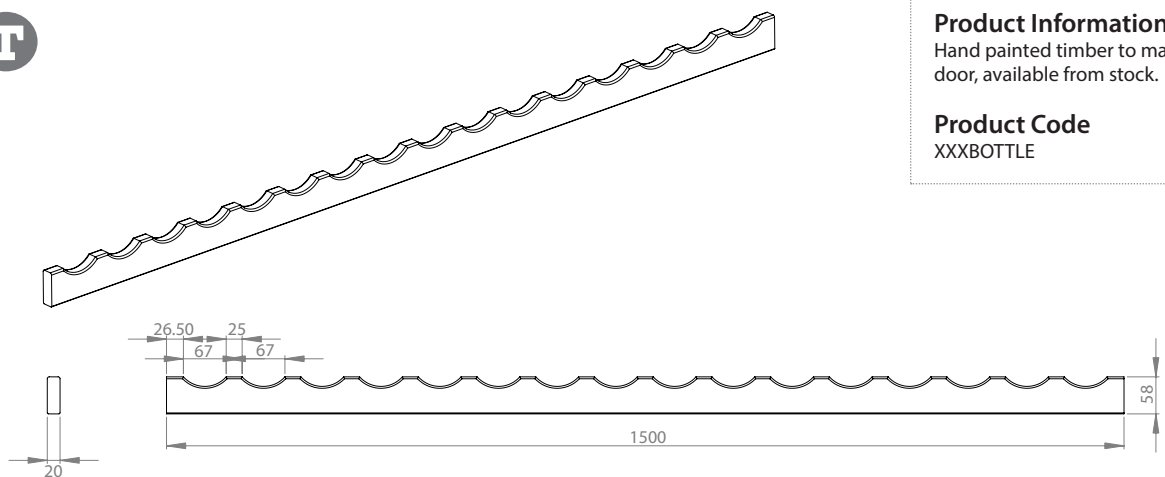
Hand painted timber to match door, available from stock.

Product Code

XXXBARREL

Bottle Rack - painted timber

T



Product Information

Hand painted timber to match door, available from stock.

Product Code

XXXBOTTLE