

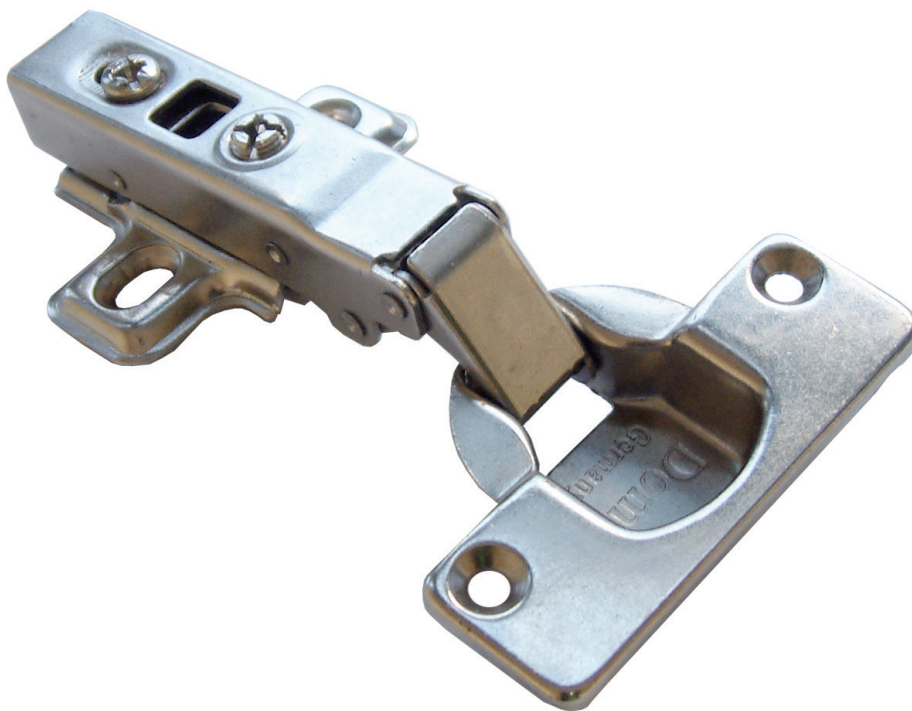


Trade supplier to the
kitchen & bedroom industry

Date of
print/release

July
2021

Technical Guide



HINGES

Please Note: The information shown in this literature is accurate as at the date of print/release shown on such information but it may be subject to changes after such date. Please therefore ensure that you are viewing the most current product available and check with us if you have any doubt about the suitability of the product or accuracy of the information shown.

IMPORTANT PLEASE NOTE:

The information contained in this literature is for illustrative purposes only to assist in choosing your desired kitchen. While we endeavour to keep the information up to date and correct we do not make any representations or warranties of any kind, express or implied, about the completeness, accuracy, reliability and suitability of the doors and products that appear in this literature.

We aim to showcase as many different items as possible and therefore some products have been installed and photographed purely to show as many of our product features as possible and they should not be taken as an example of how they are intended to be installed in real kitchen installations.

It is therefore the responsibility of the installer to check the corresponding manufacturer's installation information and the manufacturer's technical information to ensure this is up to date and to ensure that the products can be fitted in a way they are displayed and the products are suitable for your requirements.

We specifically exclude any liability in this regard unless the products are fitted in accordance with the specifications we supply and the manufacturer's installation recommendations are used in a way recommended by the manufacturer and in accordance with the manufacturer's technical information provided.

The information shown in this literature is accurate as at the date of print/release shown on such information but it may be subject to changes after such date. Please therefore ensure that you are viewing the most current product information available and check with us if you have any doubt about the suitability of the product or accuracy of the information shown.

We are proud that all our products that we sell are covered by a statutory warranty but this does not stop all our products naturally ageing overtime. As a result of this natural ageing process we are therefore unable to provide an identical colour finish to the existing products you have purchased from us with any products that we supply you from the same product line. In such event our liability will be limited to the purchase price paid for the product you are seeking to replace.

Due to the limitations on photographic reproduction, colours may differ slightly from the actual products shown. Please note that board matches listed with the doors are a suggestion only and better board matches may be available on the market. It is up to the individual to decide on its suitability.

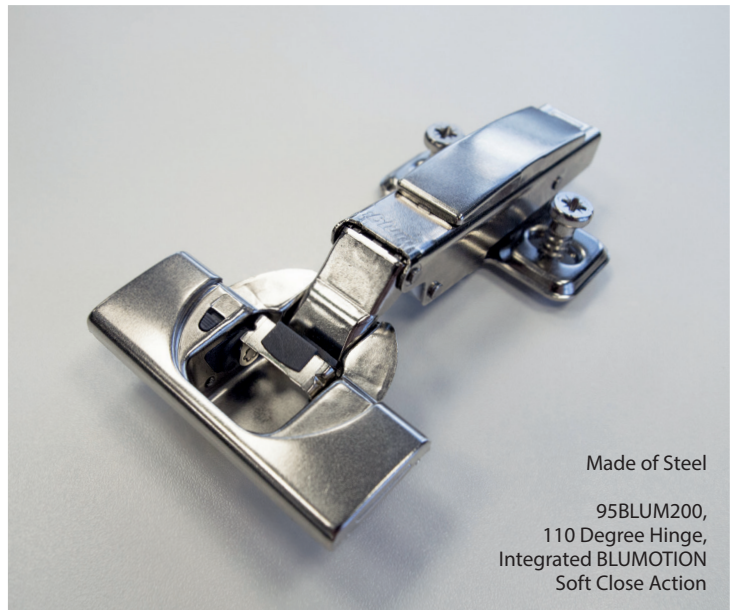
Blum Hinges

Clip-On 110 Degree BLUM Hinge With Integrated BLUMOTION Soft Close



Features:

- Integrated BLUMOTION soft close action
- Opening angle: 110 degrees
- Hinge cup depth: 13mm
- Hinge cup diameter: 35mm
- 3D adjustment (side, height, depth)
- Tool-free door-to-carcase assembly and removal
- Each pack includes 2 hinges, mounting plates, boss and arm cover caps and Euro screws



Made of Steel

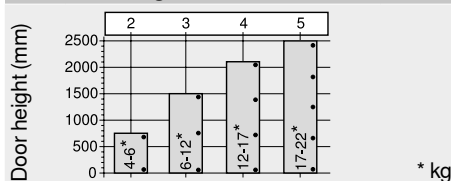
95BLUM200,
110 Degree Hinge,
Integrated BLUMOTION
Soft Close Action



FIRA Tested
Details available
on request

CODE	DESCRIPTION
95BLUM200	BLUM SOFT CLOSE HINGE - PACK OF 2

Number of Hinges

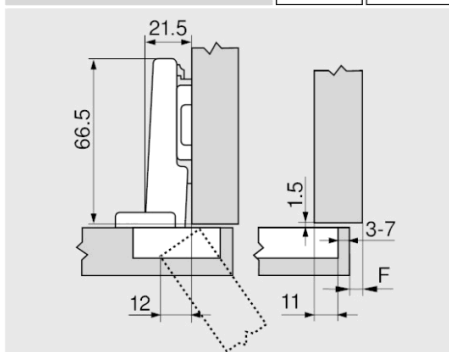
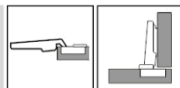


The number of hinges depends on the door weight and front height.

To achieve good stability, distances between hinges should be as large as possible.

Information on weight and height apply to a standard door width of 600 mm.

Overlay application



F Gap

Drilling distance TB

		Front overlay FA (mm)															
		5	6	7	8	9	10	11	12	13	14	15	16	17	18		
Mounting plate spacing (mm)	0											3	4	5	6	7	
	3							3	4	5	6	7					
	6				3	4	5	6	7								
	9	3	4	5	6	7											

Silence Hinges

Clip-On 105 Degree SILENCE Hinge With Integrated Soft Closing Piston

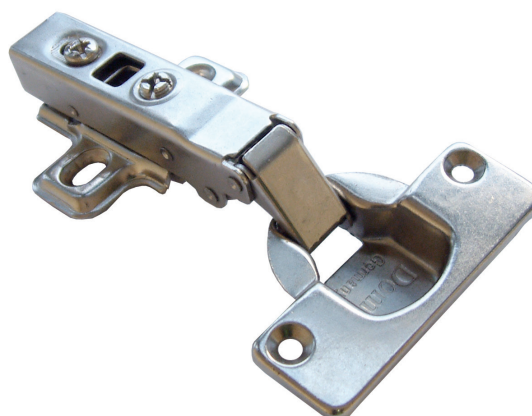
Silence

Features:

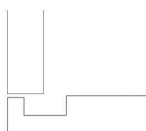
- SILENCE hinge with integrated soft closing piston
- Opening angle: 105 Degree
- Hinge cup depth: 11.5mm
- Hinge cup diameter: 35mm
- 3D adjustment (side, height, depth)



FIRA Tested
Details available
on request



Cranking
0mm



Made of Steel

95SILENCE005
95 Degree Hinge
Integrated Soft Close

CODE	DESCRIPTION
------	-------------

95SILENCE005	105 DEGREE SILENCE HINGE WITH INTEGRATED SOFT CLOSING PISTON
--------------	--

MATCHING HINGE PLATES, CUP COVER CAP & ARM COVER CAP

95SILENCE001A	SILENCE HINGE PLATE 15MM (NON-EURO)
95SILENCE001B	SILENCE HINGE PLATE 18MM (NON-EURO)
95SILENCE001D	SILENCE EURO PLATE 18MM, INCL. EURO SCREWS
95SILENCE001H	SILENCE HINGE CAM PLATE 18MM (NON-EURO)
95SILENCE001J	SILENCE HINGE CAM EURO PLATE 18MM INCL. EURO SCREWS
95SILENCE100	SILENCE HINGE CUP COVER CAP - SOLD AS PACK OF 100
95SILENCE101	SILENCE HINGE ARM COVER CAP - SOLD AS PACK OF 100

Mounting Details

Mounting details	Mounting Table	Mounting plate drilling distance																								
<p>$H=14+K-D$</p>	<table border="1"> <thead> <tr> <th>D \ K</th> <th>3</th> <th>4</th> <th>5</th> <th>6</th> <th>7</th> </tr> </thead> <tbody> <tr> <th>0</th> <td>17</td> <td>18</td> <td>19</td> <td>20</td> <td>21</td> </tr> <tr> <th>2</th> <td>15</td> <td>16</td> <td>17</td> <td>18</td> <td>19</td> </tr> <tr> <th>4</th> <td>13</td> <td>14</td> <td>15</td> <td>16</td> <td>17</td> </tr> </tbody> </table> <p>Note: Use 2 hinges for 4-5kg and 3 hinges for 8-12kg</p>	D \ K	3	4	5	6	7	0	17	18	19	20	21	2	15	16	17	18	19	4	13	14	15	16	17	
D \ K	3	4	5	6	7																					
0	17	18	19	20	21																					
2	15	16	17	18	19																					
4	13	14	15	16	17																					

Silence Hinges

Silence

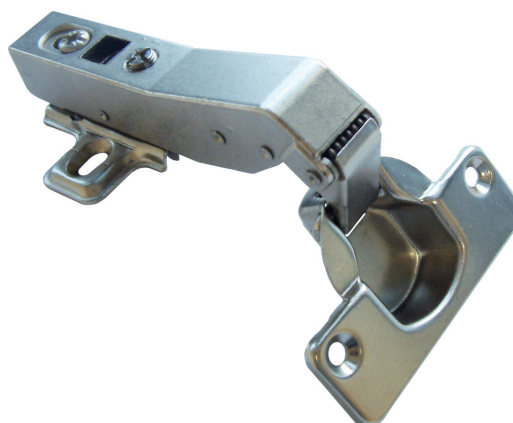
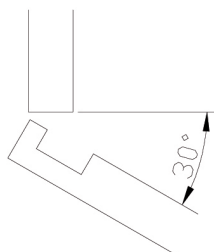
Clip-On 30 Degree SILENCE Hinge With Integrated Soft Closing Piston

Features:

- SILENCE hinge with integrated soft closing piston
- Hinge cup depth: 11.5mm
- Hinge cup diameter: 35mm
- 3D adjustment (side, height, depth)



FIRA Tested
Details available
on request



Made of Steel
95SILENCE002
30 Degree Hinge
Integrated Soft Close

CODE	DESCRIPTION
------	-------------

95SILENCE002	30 DEGREE SILENCE HINGE WITH INTEGRATED SOFT CLOSING PISTON
--------------	---

MATCHING HINGE PLATES, CUP COVER CAP & ARM COVER CAP

95SILENCE001A	SILENCE HINGE PLATE 15MM (NON-EURO)
95SILENCE001B	SILENCE HINGE PLATE 18MM (NON-EURO)
95SILENCE001D	SILENCE EURO PLATE 18MM, INCL. EURO SCREWS
95SILENCE001H	SILENCE HINGE CAM PLATE 18MM (NON-EURO)
95SILENCE001J	SILENCE HINGE CAM EURO PLATE 18MM INCL. EURO SCREWS
95SILENCE100	SILENCE HINGE CUP COVER CAP - SOLD AS PACK OF 100
95SILENCE101	SILENCE HINGE ARM COVER CAP - SOLD AS PACK OF 100

Mounting Details

Mounting details	Mounting Table	Mounting plate drilling distance																																		
	<table border="1"> <thead> <tr> <th>X</th> <th>D</th> <th>K</th> <th>4</th> <th>5</th> <th>6</th> <th>7</th> </tr> </thead> <tbody> <tr> <td>0</td> <td>37</td> <td>3</td> <td>36</td> <td>4</td> <td>35</td> <td>5</td> <td>34</td> <td>6</td> </tr> <tr> <td>2</td> <td>37</td> <td>1</td> <td>36</td> <td>2</td> <td>35</td> <td>3</td> <td>34</td> <td>4</td> </tr> <tr> <td>4</td> <td>37</td> <td>-1</td> <td>36</td> <td>0</td> <td>35</td> <td>1</td> <td>34</td> <td>2</td> </tr> </tbody> </table> <p>Note: Use 2 hinges for 4-5kg and 3 hinges for 8-12kg</p>	X	D	K	4	5	6	7	0	37	3	36	4	35	5	34	6	2	37	1	36	2	35	3	34	4	4	37	-1	36	0	35	1	34	2	
X	D	K	4	5	6	7																														
0	37	3	36	4	35	5	34	6																												
2	37	1	36	2	35	3	34	4																												
4	37	-1	36	0	35	1	34	2																												

Silence Hinges

Clip-On 45 Degree SILENCE Hinge With Integrated Soft Closing Piston

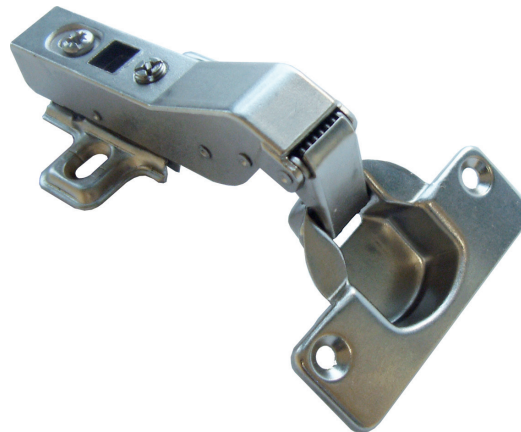
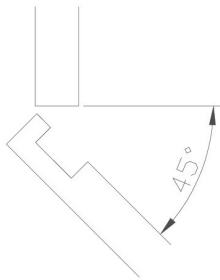
Silence

Features:

- SILENCE hinge with integrated soft closing piston
- Hinge cup depth: 11.5mm
- Hinge cup diameter: 35mm
- 3D adjustment (side, height, depth)



FIRA Tested
Details available
on request



Made of Steel

95SILENCE003
45 Degree Hinge
Integrated Soft Close

CODE	DESCRIPTION
------	-------------

95SILENCE003	45 DEGREE SILENCE HINGE WITH INTEGRATED SOFT CLOSING PISTON
--------------	---

MATCHING HINGE PLATES, CUP COVER CAP & ARM COVER CAP

95SILENCE001A	SILENCE HINGE PLATE 15MM (NON-EURO)
95SILENCE001B	SILENCE HINGE PLATE 18MM (NON-EURO)
95SILENCE001D	SILENCE EURO PLATE 18MM, INCL. EURO SCREWS
95SILENCE001H	SILENCE HINGE CAM PLATE 18MM (NON-EURO)
95SILENCE001J	SILENCE HINGE CAM EURO PLATE 18MM INCL. EURO SCREWS
95SILENCE100	SILENCE HINGE CUP COVER CAP - SOLD AS PACK OF 100
95SILENCE101	SILENCE HINGE ARM COVER CAP - SOLD AS PACK OF 100

Mounting Details

Mounting details	Mounting Table	Mounting plate drilling distance																																			
	<table border="1"> <thead> <tr> <th>X</th> <th>D</th> <th>K</th> <th>4</th> <th>5</th> <th>6</th> <th>7</th> </tr> </thead> <tbody> <tr> <th>H</th> <td>0</td> <td>37</td> <td>3</td> <td>36</td> <td>4</td> <td>35</td> <td>5</td> <td>34</td> <td>6</td> </tr> <tr> <td>2</td> <td>37</td> <td>1</td> <td>36</td> <td>2</td> <td>35</td> <td>3</td> <td>34</td> <td>4</td> </tr> <tr> <td>4</td> <td>37</td> <td>-1</td> <td>36</td> <td>0</td> <td>35</td> <td>1</td> <td>34</td> <td>2</td> </tr> </tbody> </table> <p>Note: Use 2 hinges for 4-5kg and 3 hinges for 8-12kg</p>	X	D	K	4	5	6	7	H	0	37	3	36	4	35	5	34	6	2	37	1	36	2	35	3	34	4	4	37	-1	36	0	35	1	34	2	
X	D	K	4	5	6	7																															
H	0	37	3	36	4	35	5	34	6																												
2	37	1	36	2	35	3	34	4																													
4	37	-1	36	0	35	1	34	2																													

Silence Hinges

Clip-On 165 Degree SILENCE Hinge With Integrated Soft Closing Piston

Silence

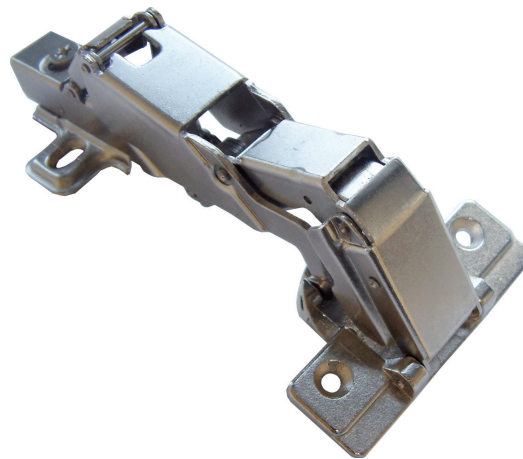
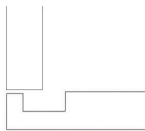
Features:

- SILENCE hinge with integrated soft closing piston
- Hinge cup depth: 11.5mm
- Hinge cup diameter: 35mm
- 3D adjustment (side, height, depth)



FIRA Tested
Details available
on request

Cranking
0mm



Made of Steel

95SILENCE004
165 Degree Hinge
Integrated Soft Close

CODE	DESCRIPTION
------	-------------

95SILENCE004	165 DEGREE SILENCE HINGE WITH INTEGRATED SOFT CLOSING PISTON
--------------	--

MATCHING HINGE PLATES, CUP COVER CAP & ARM COVER CAP

95SILENCE001A	SILENCE HINGE PLATE 15MM (NON-EURO)
95SILENCE001B	SILENCE HINGE PLATE 18MM (NON-EURO)
95SILENCE001D	SILENCE EURO PLATE 18MM, INCL. EURO SCREWS
95SILENCE001H	SILENCE HINGE CAM PLATE 18MM (NON-EURO)
95SILENCE001J	SILENCE HINGE CAM EURO PLATE 18MM INCL. EURO SCREWS
95SILENCE100	SILENCE HINGE CUP COVER CAP - SOLD AS PACK OF 100
95SILENCE101	SILENCE HINGE ARM COVER CAP - SOLD AS PACK OF 100

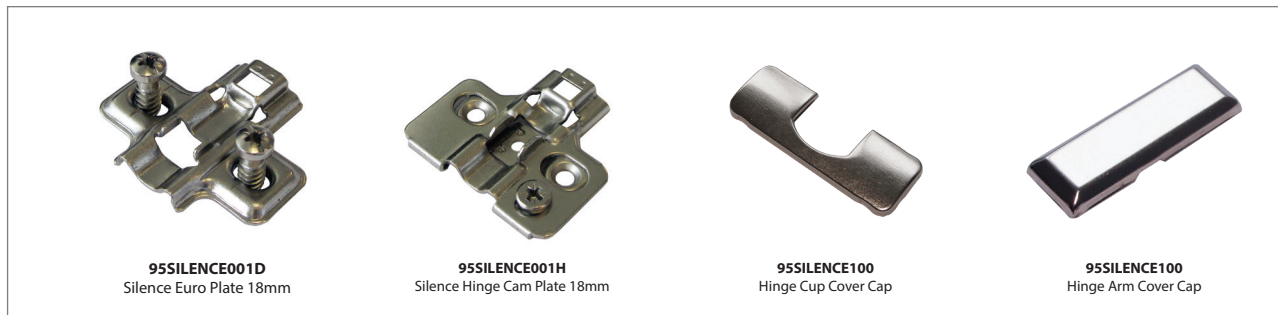
Mounting Details

Mounting details	Mounting Table	Mounting plate drilling distance																								
<p>$H=14+K-D$</p>	<table border="1"> <thead> <tr> <th>$\frac{D}{H} \backslash \frac{K}{H}$</th> <th>3</th> <th>4</th> <th>5</th> <th>6</th> <th>7</th> </tr> </thead> <tbody> <tr> <th>0</th> <td>17</td> <td>18</td> <td>19</td> <td>20</td> <td>21</td> </tr> <tr> <th>2</th> <td>15</td> <td>16</td> <td>17</td> <td>18</td> <td>19</td> </tr> <tr> <th>4</th> <td>13</td> <td>14</td> <td>15</td> <td>16</td> <td>17</td> </tr> </tbody> </table> <p>Note: Use 2 hinges for 4-5kg and 3 hinges for 8-12kg</p>	$\frac{D}{H} \backslash \frac{K}{H}$	3	4	5	6	7	0	17	18	19	20	21	2	15	16	17	18	19	4	13	14	15	16	17	<p>5.5, 52, 11.5, 35</p>
$\frac{D}{H} \backslash \frac{K}{H}$	3	4	5	6	7																					
0	17	18	19	20	21																					
2	15	16	17	18	19																					
4	13	14	15	16	17																					

Silence Hinges

SILENCE Hinge Plates & Cover Caps

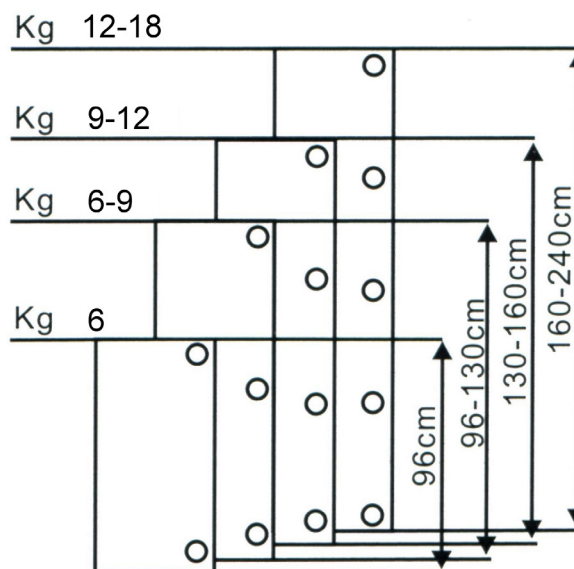
Silence



CODE	DESCRIPTION
95SILENCE001A	SILENCE HINGE PLATE 15MM (NON-EURO)
95SILENCE001B	SILENCE HINGE PLATE 18MM (NON-EURO)
95SILENCE001D	SILENCE EURO PLATE 18MM, INCL. EURO SCREWS
95SILENCE001H	SILENCE HINGE CAM PLATE 18MM (NON-EURO)
95SILENCE001J	SILENCE HINGE CAM EURO PLATE 18MM INCL. EURO SCREWS
95SILENCE100	SILENCE HINGE CUP COVER CAP - SOLD AS PACK OF 100
95SILENCE101	SILENCE HINGE ARM COVER CAP - SOLD AS PACK OF 100

SILENCE No. of hinges per door

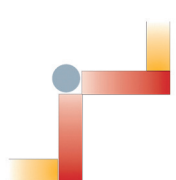

Determine the number of Silence hinges to be used according to the door height and weight:



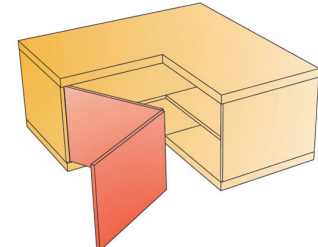


Titus+ (Lama) Hinges

Basic Pie Cut Corner Hinge

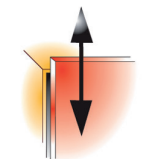
FOR PIE CUT CORNER CABINET


Cup made of steel,
arm made of zinc

Side adjustment
+3 / -1mm

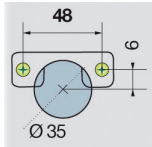


Height adjustment
+2 / -2mm



Depth adjustment
+5 / -1.5mm

Cranking
0mm



Features:

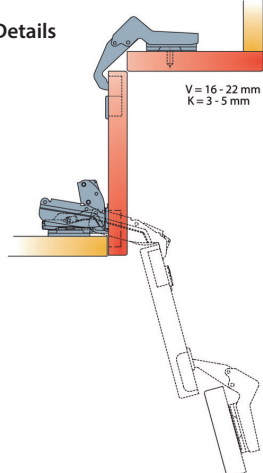
- Drilling diameter for hinge cup: 35mm
- Drilling depth: 11.5mm
- Hinge on plate mounting system: Slide-on

Standard drilling for hinge and mounting plate.
Hinge integrated adjustment.

CODE	DESCRIPTION
95LAMA14	BASIC PIE CUT CORNER HINGE

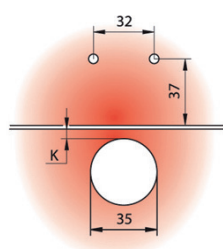
Mounting Details / Drilling Details / Adjustments

Mounting Details



V = 16 - 22 mm
K = 3 - 5 mm

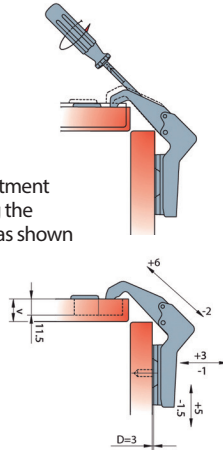
Drilling Details



Any basic mounting plate
of thickness.

D=0 can be used.

Adjustments

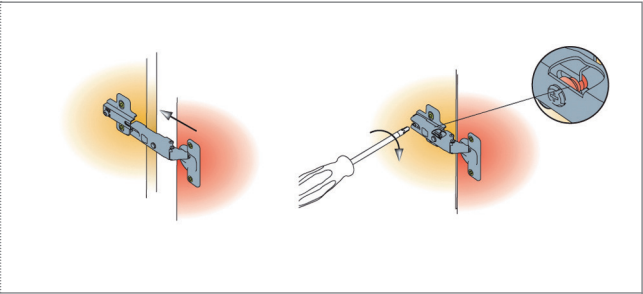


The diagonal adjustment
is made by rotating the
appropriate screw as shown
on the drawing.

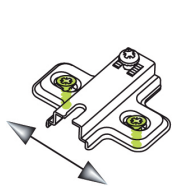
Titus+ (Lama) Hinges

Basic Mounting Plate

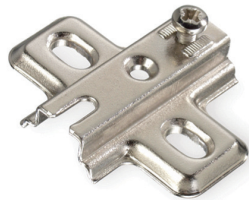
TO SUIT BASIC PIE CUT CORNER HINGE



Steel mounting plates

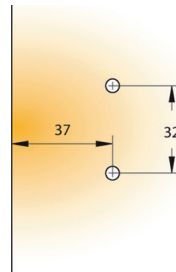


Height adjustment
+ / -2mm

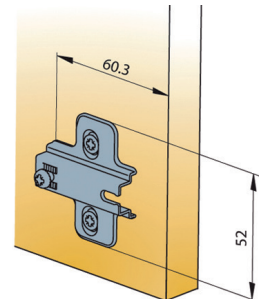


Made of steel

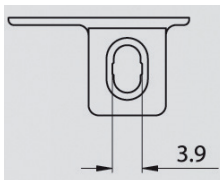
Drilling Pattern



Dimensions



Slide on plate
95LAMA01B



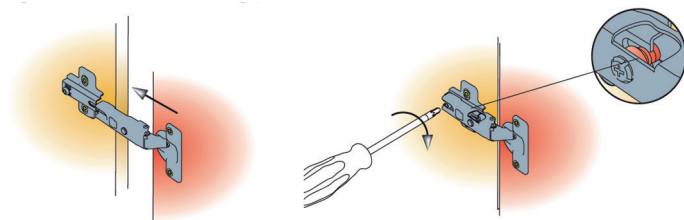
Mounting plate
thickness

CODE	DESCRIPTION
95LAMA01B	SLIDE ON CLIP PLATE 18MM

HOW TO ASSEMBLE THE HINGE AND THE MOUNTING PLATE?

Slide On System

The hinge is assembled by sliding the hinge arm over the mounting plate. The lower part of the horizontal set up screw must fit correctly into the groove on the mounting plate. After adjusting the door depth, the mounting procedure is finished by tightening the fixing screw.



Titus+ (Lama) Hinges

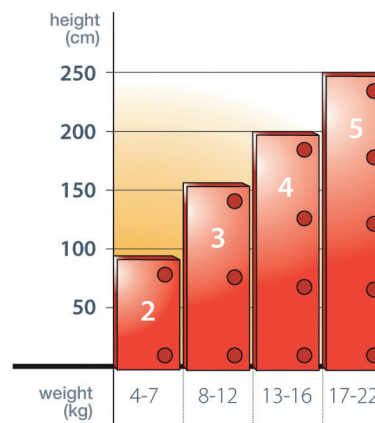
Hinge Information

HOW MANY HINGES PER DOOR?

For the furniture user's safety please use the appropriate number of hinges so that the door height or weight does not exceed that shown below.

Concealed Hinges with Ø 35mm Hinge Cup Diameter

Check the enclosed specifications for the number of required hinges per door by considering both height and weight.



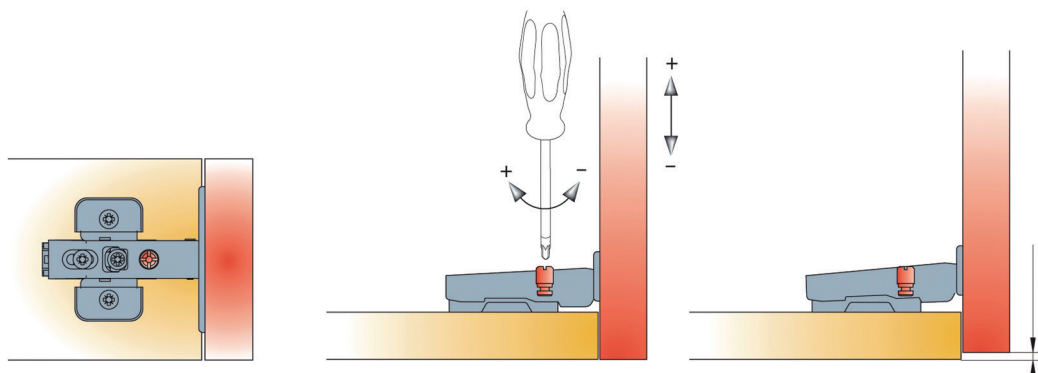
SIDE ADJUSTMENT



The side adjustment is indispensable to align the door with the side of the cabinet thus allowing perfect lifetime opening and closing of the door.

By Rotating the Appropriate Screws

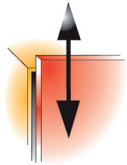
The side adjustment is made by rotating the appropriate screw on the hinge arm.



Titus+ (Lama) Hinges

Hinge Information

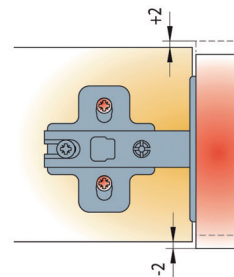
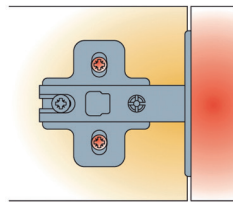
HEIGHT ADJUSTMENT



Height adjustment is necessary to achieve perfect vertical door position that emphasises the accuracy of manufacture.

By Releasing the Fixing Screws of Mounting Plate

For height adjustment the two mounting plate fixing screws have to be temporarily released while making the adjustment manual.



DEPTH ADJUSTMENT



The system enables easy adjustment of the door depth to assure that the door fits well on the side of the cabinet.

By Rotating the Cam Adjuster

The depth adjustment is made by temporarily releasing the adjustment screw (ST series) or fixing screw (Basic series). After the adjustment is made the screw has to be re-tightened.

