



Trade supplier to the  
kitchen & bedroom industry

April  
2022

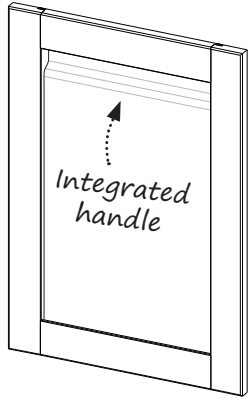
# Technical Guide



# GRANTHAM

**Please Note:** The information shown in this literature is accurate as at the date of print/release shown on such information but it may be subject to changes after such date. Please therefore ensure that you are viewing the most current product available and check with us if you have any doubt about the suitability of the product or accuracy of the information shown.

# GRANTHAM DOOR INFO

	Product Information	
	<b>Product Description:</b> <b>Product Colour:</b> <b>Product Finish:</b> <b>Base Material:</b> <b>Base Thickness:</b> <b>Covering Material:</b> <b>Edging Material:</b> <b>Edging Colour:</b> <b>Reverse Colour:</b> <b>Product Dimension:</b>	5 piece slim frame handleless shaker door, integrated handle, grooveless Available in paint to order & primed Matt finish with visible timber grain Solid ash frame, veneered centre panel 21 mm Painted/primed Painted/primed To match with face To match with face Standard door and drawer range
<b>Additional Information</b> <b>End panels:</b> Veneered and edged all round <b>T&amp;G end panels:</b> Plain on the reverse <b>T&amp;G and grain direction:</b> Along the longest length on all end panels, except 900 x 2100 which is along the 900 height <b>Plinths:</b> Veneered, edges raw		

## IMPORTANT PLEASE NOTE:

While we endeavour to keep the information up to date and correct we do not make any representations or warranties of any kind, express or implied, about the completeness, accuracy, reliability and suitability of the doors and products that appear in this literature.

We aim to showcase as many different items as possible in our kitchen images and therefore some products have been installed and photographed purely to show as many of our product features as possible and they should not be taken as an example of how they are intended to be installed in real kitchen installations.

**It is the responsibility of the installer to check the corresponding manufacturer's installation information and the manufacturer's technical information to ensure this is up to date and to ensure that the products can be fitted in a way they are displayed and the products are suitable for your requirements.**

We specifically exclude any liability in this regard unless the products are fitted in accordance with the specifications we supply and the manufacturer's installation recommendations are used in a way recommended by the manufacturer and in accordance with the manufacturer's technical information provided.

**The information shown in this literature is accurate as at the date of release but it may be subject to changes after such date.** Please therefore ensure that you are viewing the most current product information available and check with us if you have any doubt about the suitability of the product or accuracy of the information shown.

We are proud that all our products that we sell are covered by a statutory warranty but this does not stop all our products naturally ageing overtime. **As a result of this natural ageing process we are therefore unable to provide an identical colour finish to the existing products you have purchased from us with any products that we supply you from the same product line.** In such event our liability will be limited to the purchase price paid for the product you are seeking to replace.

Due to the limitations on photographic reproduction, colours may differ slightly from the actual products shown.

Please note that board matches listed with the doors are a suggestion only and better board matches may be available on the market. It is up to the individual to decide on its suitability.

# GRANTHAM COLOURS

## PAINT TO ORDER

Prefix code: 471

28 standard matt colours (shown below) & bespoke option available with our colour match service.



## Paint to Order Board Matches

Egger, Kronospan and RAL colour references for boards matching our door colours.

**Please note:** The board matches listed are suggestions only and better board matches may be available on the market. It is up to the individual to decide on suitability.

Colour	Egger	Kronospan	RAL
Cashmere	U702	5981	-
Chalkstone	-	0564	-
Dakar	U717	-	7032
Denim	U540	-	-
Dust Grey	U732	0171	7037
Fjord	U636	K097	-
French Grey	-	-	-
Indigo Blue	U599	-	5004
Lava	U741	6299	-
Light Grey	U708	0191	7047
Midnight Blue	(U599)	-	-
Mussel	U100	5982	-
Pebble Grey	U201	-	7044
Porcelain	W1200	0101	9016
Onyx Grey	U960	0171	7012
Sage Green	-	-	-
Silver Grey	U765	0197	-
Smoke Blue	U507	-	5014
Stone Grey	U727	K096	-
Super White	W1100	8681	9003
Taupe Grey	U750	5981	7044
White	W908	0101	9010
White Grey	U775	-	9010

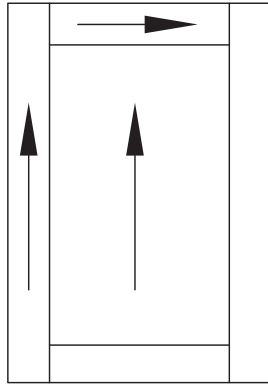
## PRIMED

Prefix code: 470

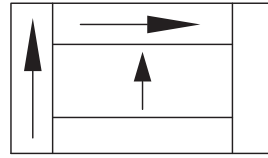
Paint your own doors with our primed, ready to paint option.

# GRANTHAM GRAIN DIRECTION/DIMENSIONS

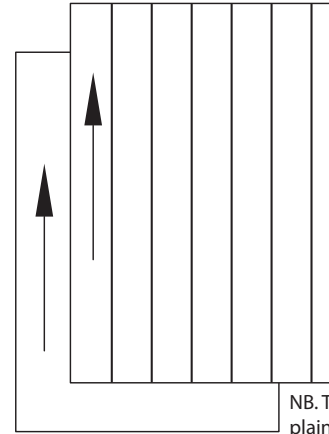
## Grain Direction



Door Grain Direction



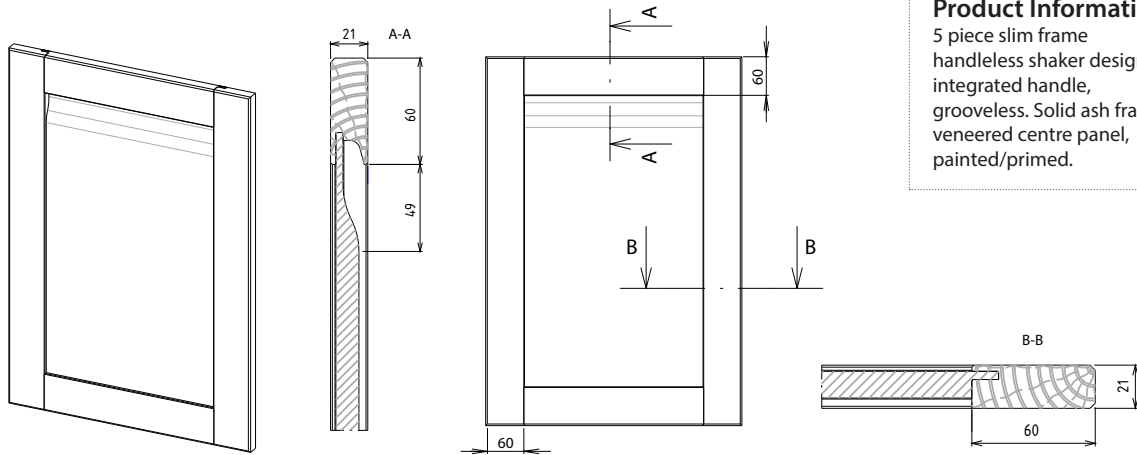
Drawer Grain Direction



Panel Grain Direction

NB. T&G is plain on reverse.

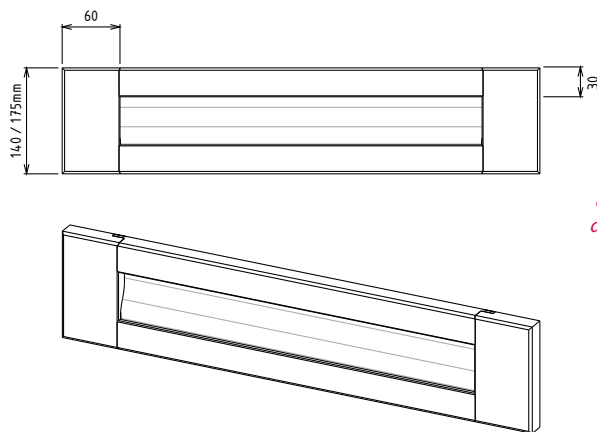
## Door



### Product Information

5 piece slim frame handleless shaker design, integrated handle, grooveless. Solid ash frame, veneered centre panel, painted/primed.

## Drawer Front



*Nb. Rails are 30mm height on 140 & 175mm drawers to accommodate the integrated handle design.*

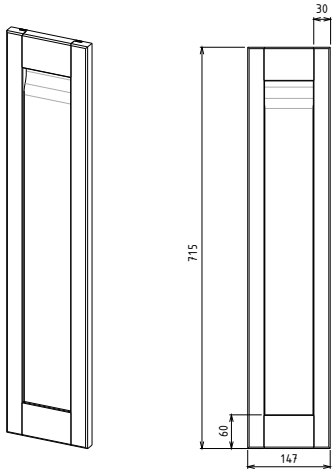
### Product Information

140 / 175mm (h) Drawers  
5 piece slim frame handleless shaker design, 30mm rails, integrated handle, grooveless. Solid ash frame, veneered centre panel, painted/primed.

All other drawer heights are based on the door design as above.

# GRANTHAM DIMENSIONS

## 715 x 147mm Door



*Nb. Stiles are 30mm wide on 147mm wide doors to accommodate the integrated handle design.*

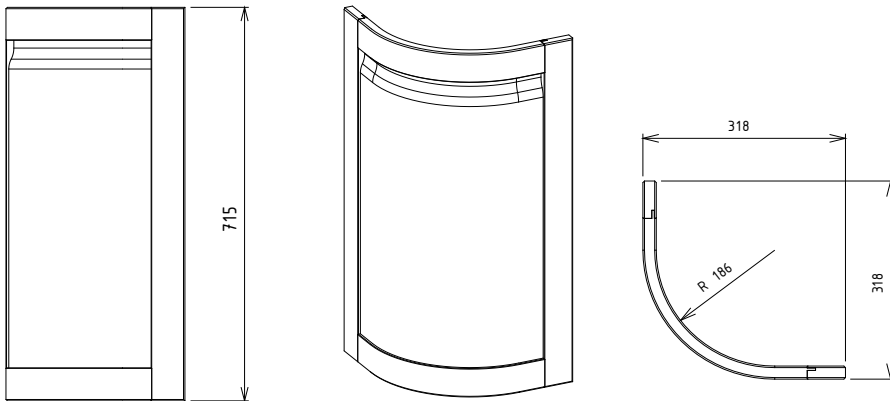
### Product Information

715mm (h) x 147mm (w) Door  
5 piece slim frame handleless shaker design, 30mm stiles, integrated handle, grooveless. Solid ash frame, veneered centre panel, painted/primed.

### Product Code

XXX71514

## Curved Door



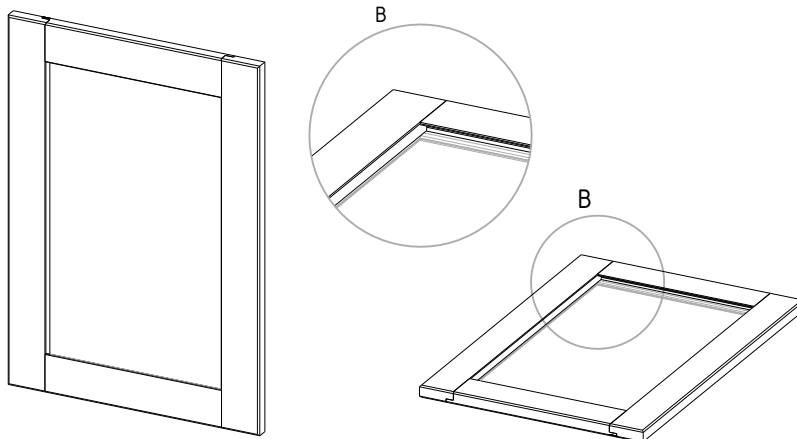
### Product Information

5 piece slim frame handleless shaker design, integrated handle, grooveless. Solid ash frame, veneered centre panel, painted/primed.

### Product Code

XXXCURVE715

## Frame Door



### Product Information

Open frame solid timber door, grooveless, painted/primed. Suitable for glazing with 4mm glass. Glass will be set back 14mm from front of door frame to allow for integrated handle design. Comes with solid timber beading for glass assembly, cut to size.

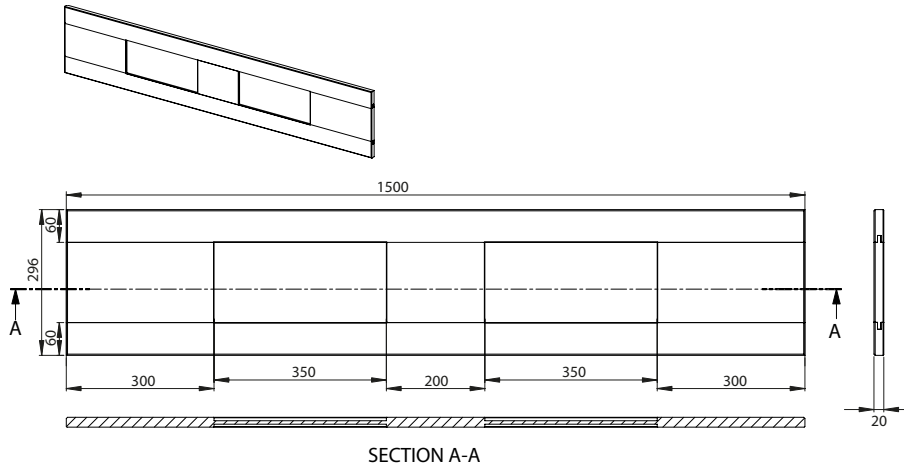
### Product Codes

XXXF71549

XXXF89549

# GRANTHAM DIMENSIONS

## Mantel Top

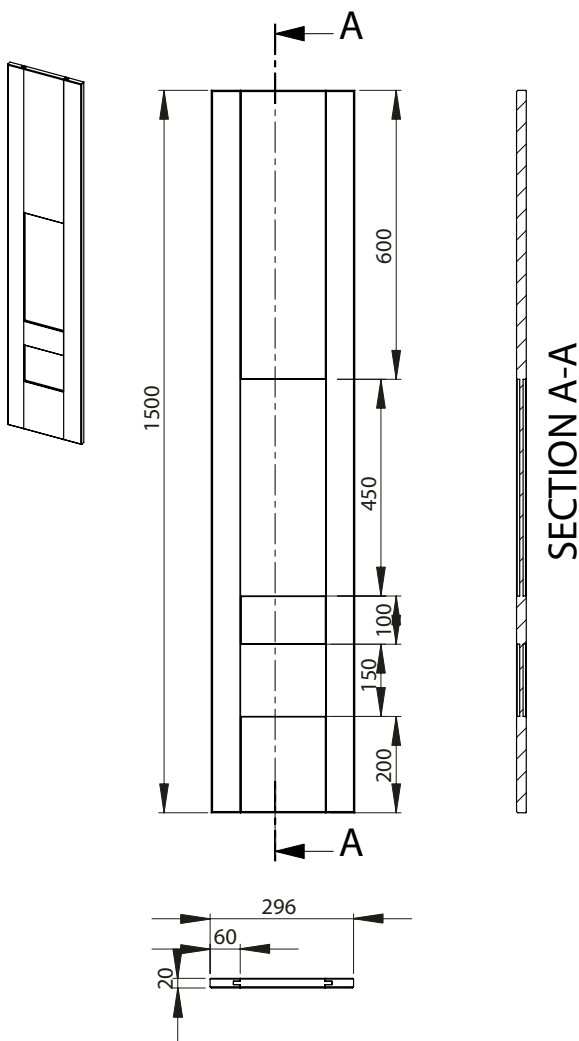


**Product Information**  
7 piece mantel top with flat centre panels, grooveless. Solid ash frame, veneered centre panel, painted/primed.

**Mantel Top Product Code**  
XXXMANTELTOP

**Mantel Kit Product Code**  
XXXMANTELKIT  
1 x Mantel Top  
2 x Mantel Side  
2 x Mantel Corbel  
1 x Mantel Shelf

## Mantel Side

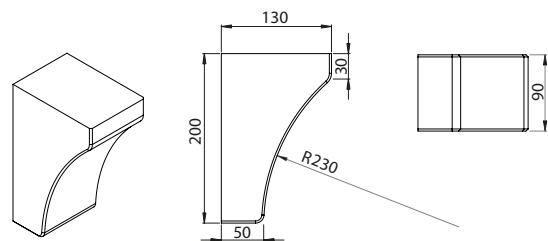


**Product Information**  
7 piece mantel side with flat centre panels, grooveless. Solid ash frame, veneered centre panel, painted/primed.

**Mantel Side Product Code**  
XXXMANTELSIDE

**Mantel Kit Product Code**  
XXXMANTELKIT  
1 x Mantel Top  
2 x Mantel Side  
2 x Mantel Corbel  
1 x Mantel Shelf

## Mantel Corbel



**Product Information**  
Solid timber mantel corbel, painted/primed.

**Mantel Corbel Product Code**  
XXXMANTELBKT

**Mantel Kit Product Code**  
XXXMANTELKIT  
1 x Mantel Top  
2 x Mantel Side  
2 x Mantel Corbel  
1 x Mantel Shelf

# GRANTHAM DIMENSIONS

**Mantel Shelf**

**Product Information**  
Veneered MDF,  
painted/primed.

**Mantel Shelf  
Product Code**  
XXXMANTELSHELF

**Mantel Kit  
Product Code**  
XXXMANTELKIT

- 1 x Mantel Top
- 2 x Mantel Side
- 2 x Mantel Corbel
- 1 x Mantel Shelf

**Mantel Complete Kit**

**Product Information**  
1 x Mantel Top (1500 x 296mm)  
2 x Mantel Side (296 x 1500mm)  
2 x Mantel Corbel (90 x 200mm)  
1 x Mantel Shelf (2150 x 200mm)

**Product Code**  
XXXMANTELKIT

To finish we recommend Tangent Cornice,  
code: XXXCORNICESOLID

Cornice

Mantel Shelf .....  
2150 x 200mm

Mantel Corbel .....  
90 x 200mm

Mantel Corbel .....  
90 x 200mm

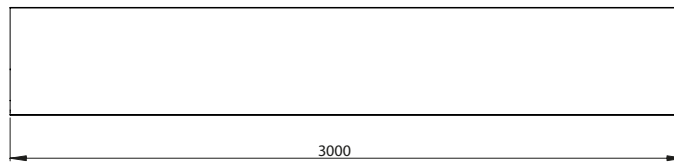
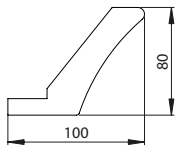
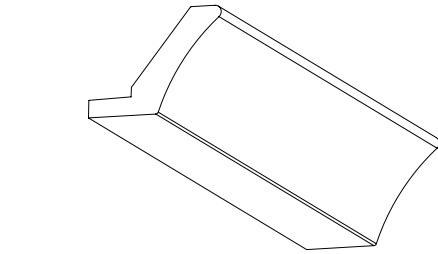
Mantel Top .....  
1500 x 296mm

Mantel Side .....  
296 x 1500mm

Mantel Side .....  
296 x 1500mm

# GRANTHAM DIMENSIONS

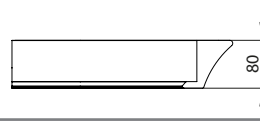
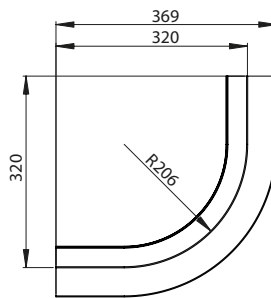
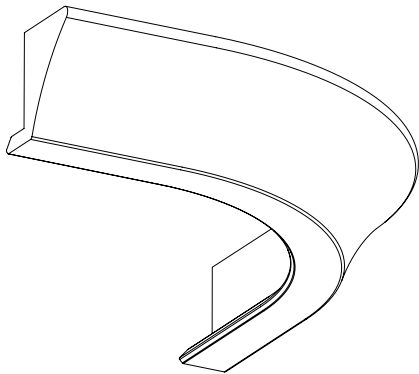
## Cornice



**Product Information**  
Solid timber with MDF base,  
painted/primed.

**Product Code**  
XXXCORNICESOLID

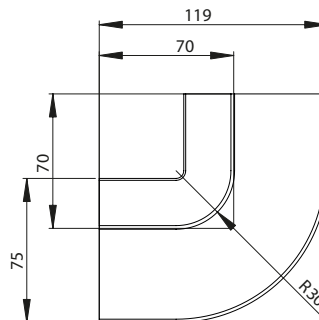
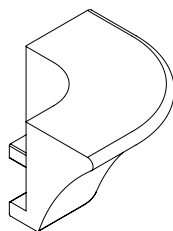
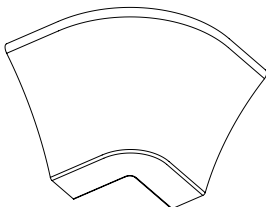
## Cornice Curved



**Product Information**  
Solid timber with MDF base,  
painted/primed.

**Product Code**  
XXXCURVECORNICE

## Curved Cornice Block



**Product Information**  
Solid timber, painted/primed.

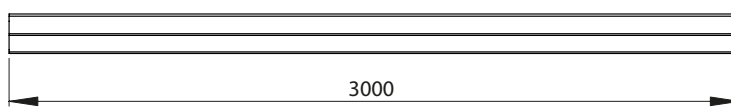
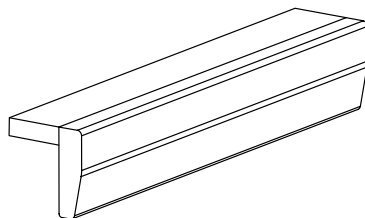
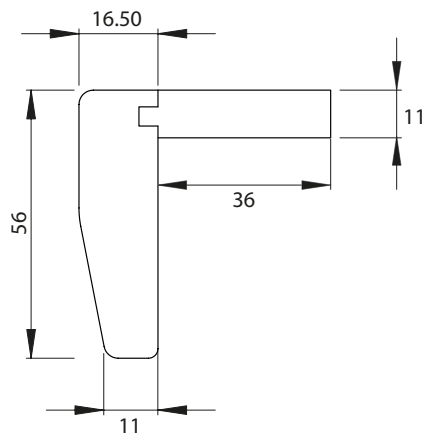
**Product Code**  
XXXRENDORNICE

This item can be used  
in conjunction with the  
Curved End Pillar  
(code: XXXRENDPILLAR).



# GRANTHAM DIMENSIONS

## Tangent Pelmet



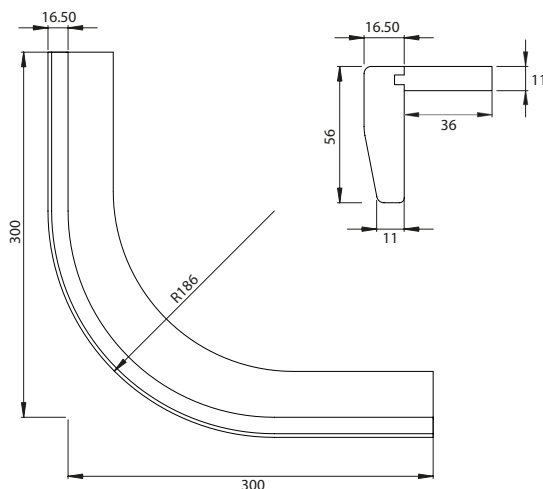
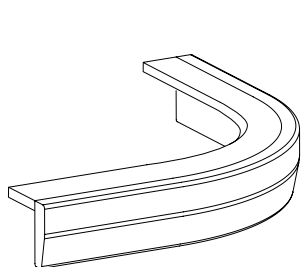
### Product Information

Solid timber with MDF base, painted/primed.

### Product Code

XXXPELMETSOLID

## Curved Tangent Pelmet



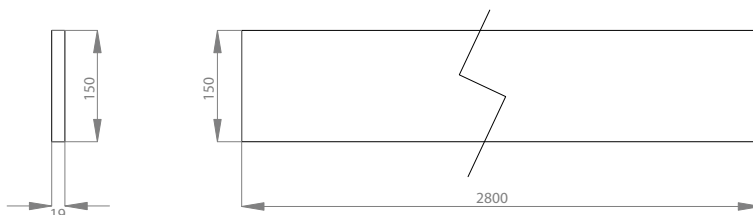
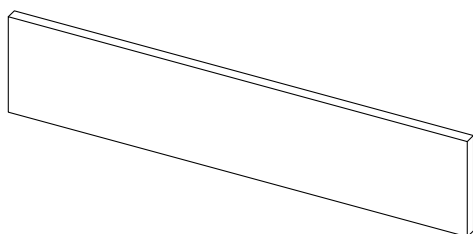
### Product Information

Solid timber with MDF base, painted/primed.

### Product Code

XXXCURVEDPELMET

## Plinth



### Product Information

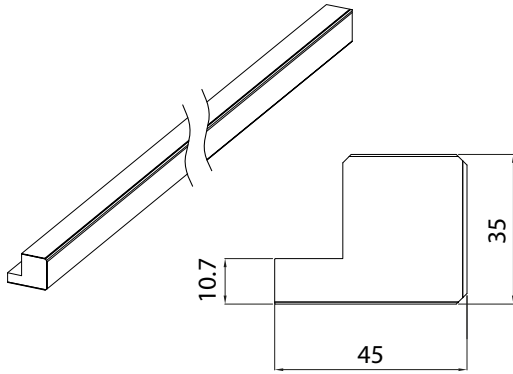
Veneered and painted/primed chipboard, raw edges.

### Product Code

XXXPLINTH

# GRANTHAM DIMENSIONS

## Square End Straight Cornice / Pelmet

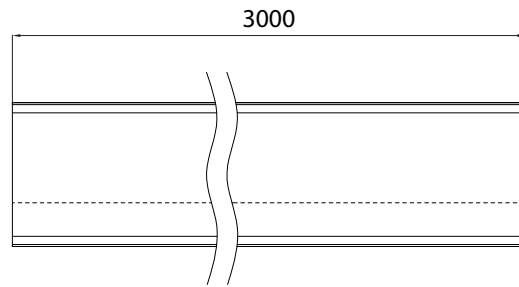


### Product Information

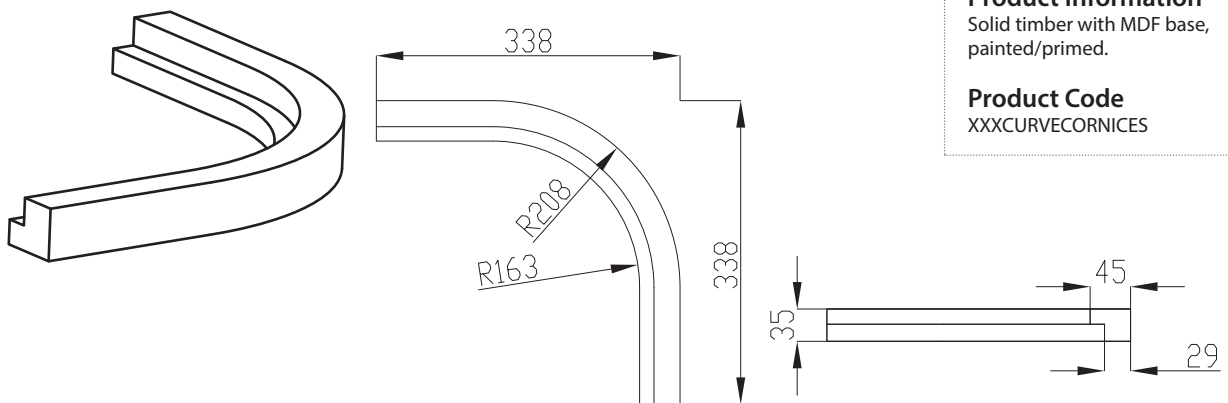
Solid timber with MDF base, painted/primed.

### Product Code

XXXCORNICESQ



## Square End Curved Cornice / Pelmet



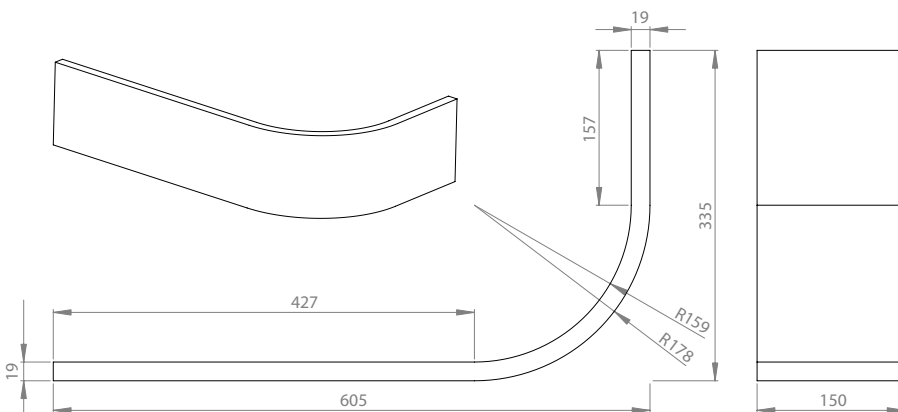
### Product Information

Solid timber with MDF base, painted/primed.

### Product Code

XXXCURVECORNICES

## Curved Plinth



### Product Information

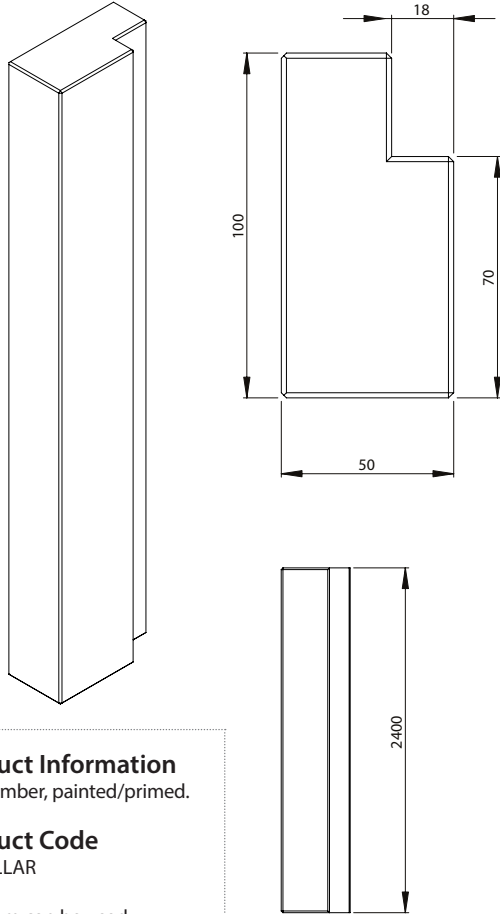
Veneered MDF, painted/primed.

### Product Code

XXXCURVEPLINTH

# GRANTHAM DIMENSIONS

## Straight End Pillar

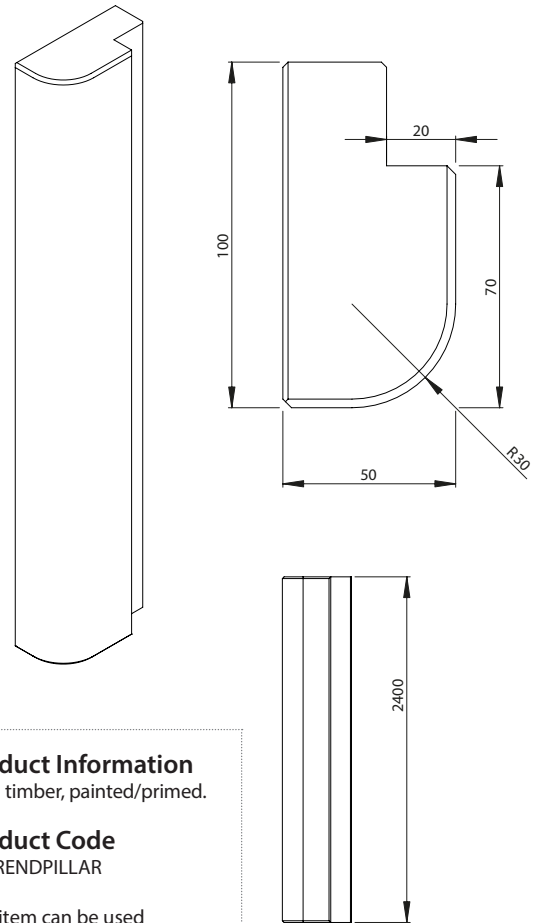


**Product Information**  
Solid timber, painted/primed.

**Product Code**  
XXXPILLAR

This item can be used in conjunction with an End Panel.

## Curved End Pillar

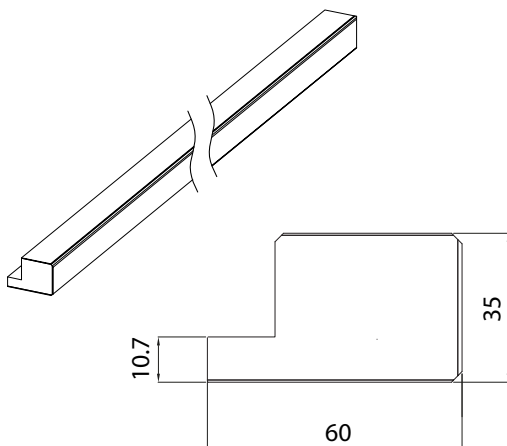


**Product Information**  
Solid timber, painted/primed.

**Product Code**  
XXXRENDPILLAR

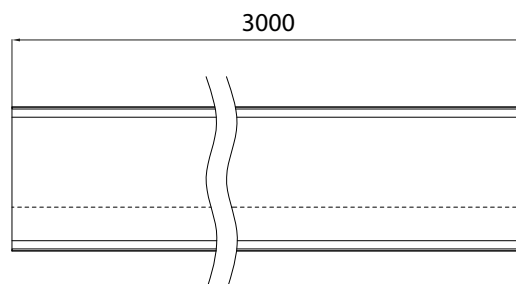
This item can be used in conjunction with an End Panel as well as the Curved Cornice Block (code: XXXRENDCORNIC).

## In Frame Profile



**Product Information**  
Solid timber with MDF base, painted/primed.

**Product Code**  
XXXIFRAMEPROFILE



# GRANTHAM DIMENSIONS

### Corner Posts

Sold as a pair

**Product Information**  
Solid timber, painted/primed.

**Product Code**  
XXXCORNERPOST

### Floor column

**Product Information**  
Solid timber, painted/primed.

**Product Code**  
XXXCOLUMN

### Plate Rack 1200

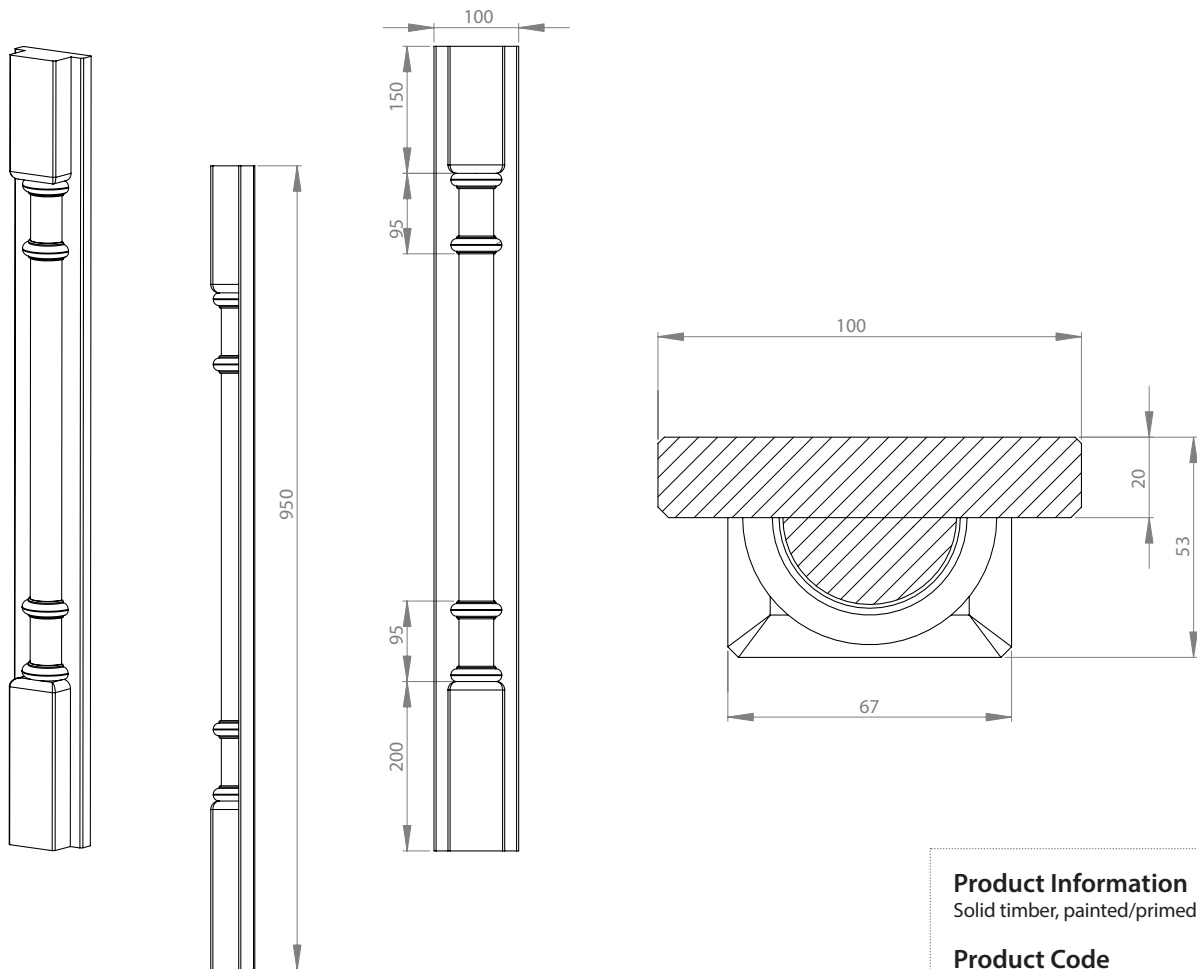
**Product Information**  
Solid timber, painted/primed.

**Product Code**  
XXXPLATE120

SECTION A-A

# GRANTHAM DIMENSIONS

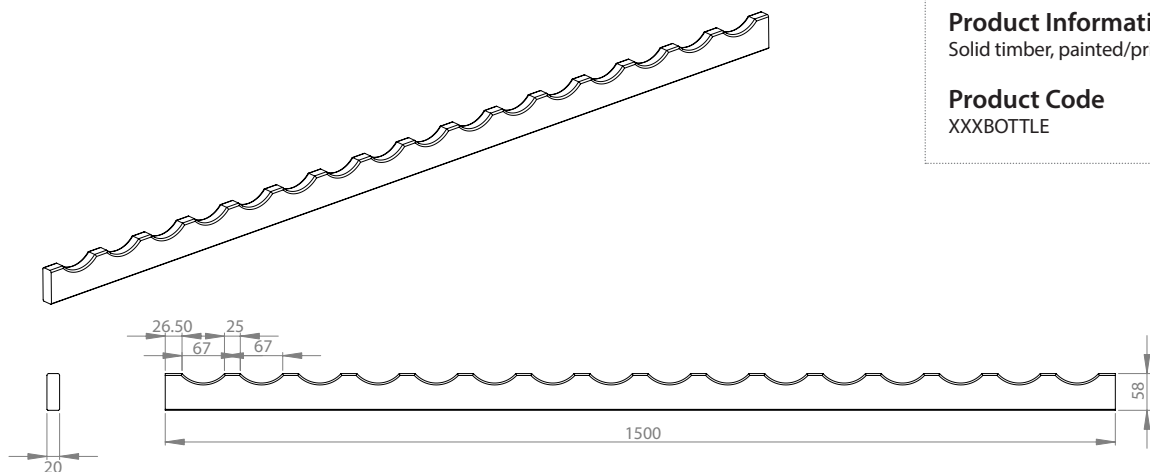
## Barrel Pilaster



**Product Information**  
Solid timber, painted/primed.

**Product Code**  
XXXPBARREL

## Bottle Rack



**Product Information**  
Solid timber, painted/primed.

**Product Code**  
XXXBOTTLE