



Trade supplier to the
kitchen & bedroom industry

July
2021

Technical Guide

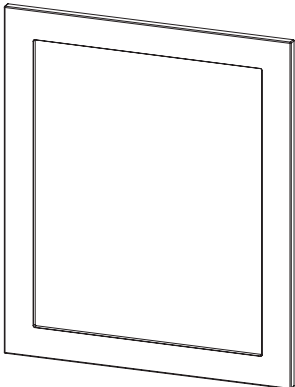


ASCOT

Paint to Order/Primed

Please Note: The information shown in this literature is accurate as at the date of print/release shown on such information but it may be subject to changes after such date. Please therefore ensure that you are viewing the most current product available and check with us if you have any doubt about the suitability of the product or accuracy of the information shown.

ASCOT PRODUCT OVERVIEW

|  | Product Information | |
|---|---|--|
| | Product Description: Product Colour: Product Finish: Base Material: Base Thickness: Covering Material: Edging: Reverse: Product Dimension: | One piece routed 60mm slim frame shaker door Paint to order/primed Hand painted/unfinished MDF 18mm Matt paint/sanded melamine paper, ready to paint Matches face Matches face Standard door and drawer range. |

Additional Information

End panels: End panels are painted all around.

Plinths: Plinths are paper wrapped and painted/primed on face and long edges.

IMPORTANT PLEASE NOTE:

While we endeavour to keep the information up to date and correct we do not make any representations or warranties of any kind, express or implied, about the completeness, accuracy, reliability and suitability of the doors and products that appear in this literature.

We aim to showcase as many different items as possible in our kitchen images and therefore some products have been installed and photographed purely to show as many of our product features as possible and they should not be taken as an example of how they are intended to be installed in real kitchen installations.

It is the responsibility of the installer to check the corresponding manufacturer's installation information and the manufacturer's technical information to ensure this is up to date and to ensure that the products can be fitted in a way they are displayed and the products are suitable for your requirements.

We specifically exclude any liability in this regard unless the products are fitted in accordance with the specifications we supply and the manufacturer's installation recommendations are used in a way recommended by the manufacturer and in accordance with the manufacturer's technical information provided.

The information shown in this literature is accurate as at the date of release but it may be subject to changes after such date. Please therefore ensure that you are viewing the most current product information available and check with us if you have any doubt about the suitability of the product or accuracy of the information shown.

We are proud that all our products that we sell are covered by a statutory warranty but this does not stop all our products naturally ageing overtime. **As a result of this natural ageing process we are therefore unable to provide an identical colour finish to the existing products you have purchased from us with any products that we supply you from the same product line.** In such event our liability will be limited to the purchase price paid for the product you are seeking to replace.

Due to the limitations on photographic reproduction, colours may differ slightly from the actual products shown.

Please note that board matches listed with the doors are a suggestion only and better board matches may be available on the market. It is up to the individual to decide on its suitability.

ASCOT COLOURS

PAINT TO ORDER

Prefix code: 393

23 standard matt colours (shown below) & bespoke option available with our colour match service.



Paint to Order Board Matches

Egger, Kronospan and RAL colour references for boards matching our door colours.

Please note: The board matches listed are suggestions only and better board matches may be available on the market. It is up to the individual to decide on suitability.

| Colour | Egger | Kronospan | RAL | Colour | Egger | Kronospan | RAL |
|---------------|--------|-----------|------|-------------|-------|-----------|------|
| Cashmere | U702 | 5981 | - | Pebble Grey | U201 | - | 7044 |
| Chalkstone | - | 0564 | - | Porcelain | W1200 | 0101 | 9016 |
| Dakar | U717 | - | 7032 | Onyx Grey | U960 | 0171 | 7012 |
| Denim | U540 | - | - | Sage Green | - | - | - |
| Dust Grey | U732 | 0171 | 7037 | Silver Grey | U765 | 0197 | - |
| Fjord | U636 | K097 | - | Smoke Blue | U507 | - | 5014 |
| French Grey | - | - | - | Stone Grey | U727 | K096 | - |
| Indigo Blue | U599 | - | 5004 | Super White | W1100 | 8681 | 9003 |
| Lava | U741 | 6299 | - | Taupe Grey | U750 | 5981 | 7044 |
| Light Grey | U708 | 0191 | 7047 | White | W908 | 0101 | 9016 |
| Midnight Blue | (U599) | - | - | White Grey | U775 | - | - |
| Mussel | U100 | 5982 | - | | | | |

PRIMED

Prefix code: 391

Paint your own doors with our primed, ready to paint option.

ASCOT PRODUCT INFORMATION

Door

Product Information
One piece routed door with flat centre panel, no feature joints, painted/primed MDF.

Drawer Front

Product Information
110/140/175mm (h)
Painted/primed MDF, slab design.

All other drawer heights are based on the door design as above.

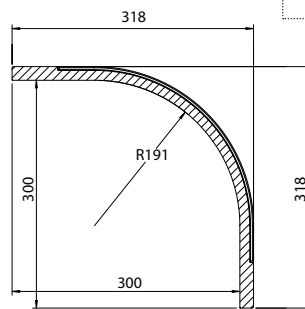
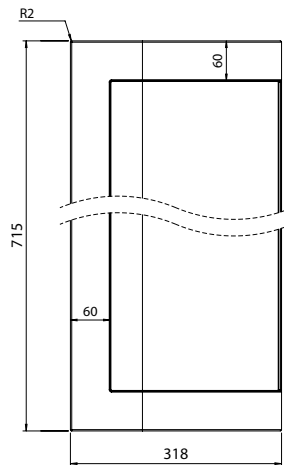
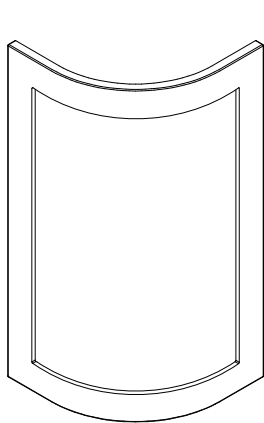
Frame Door

Product Information
Painted/primed MDF

Product Code
XXXF71549

ASCOT PRODUCT INFORMATION

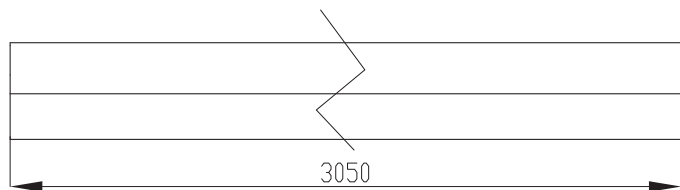
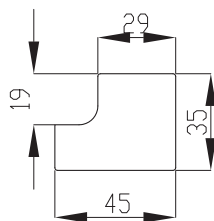
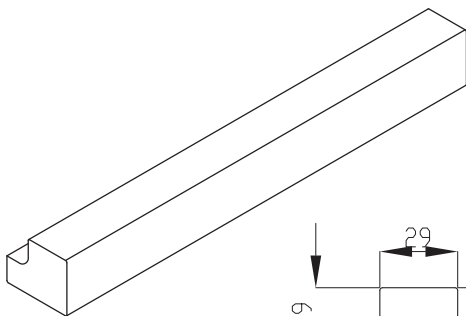
Curved Door (External Curve)



Product Information
Painted/primed MDF

Product Code
XXXCURVE (715mm height)

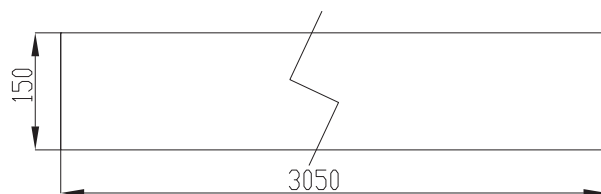
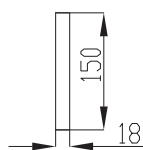
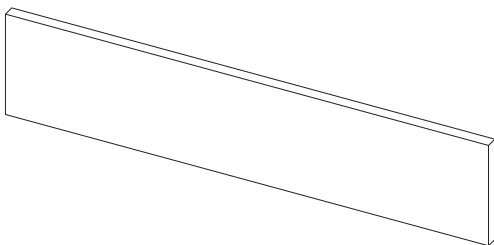
Square End Straight Cornice/Pelmet



Product Information
Painted/primed MDF

Product Code
XXXCORNICESQ

Plinth



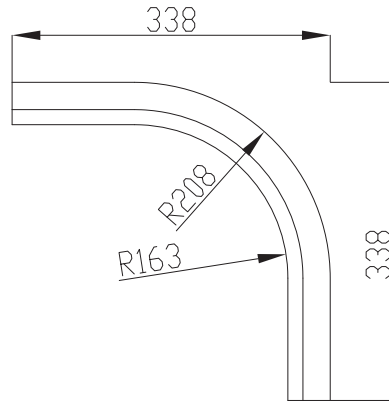
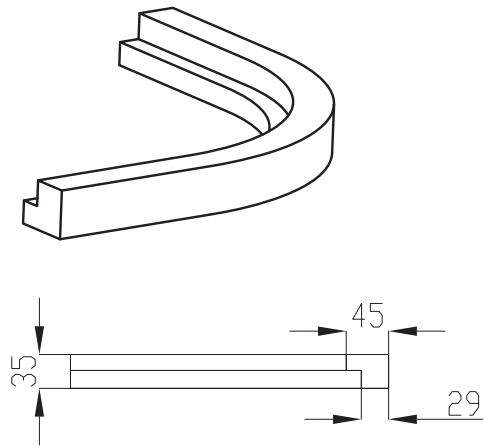
Product Information

Chipboard core, painted/primed melamine paper on face and long edges, back is matt melamine paper.

Product Code
XXXPLINTH

ASCOT PRODUCT INFORMATION

Square End Curved Cornice/Pelmet (External Curve)



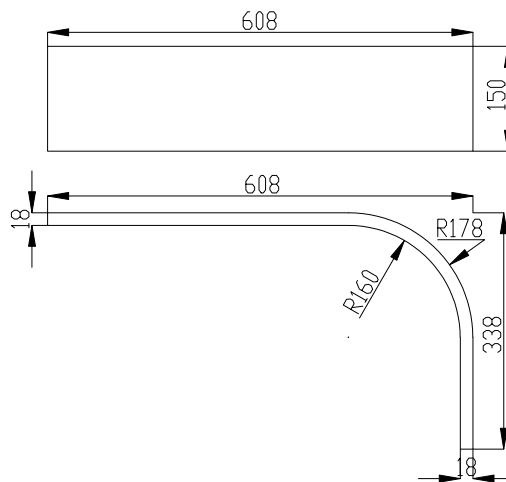
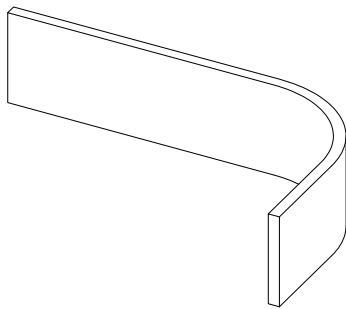
Product Information

Painted/primed MDF

Product Code

XXXCURVECORNICES

Curved Plinth (External Curve)



Product Information

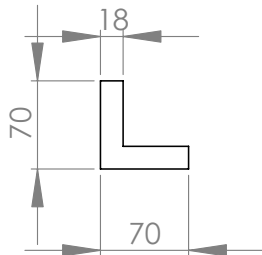
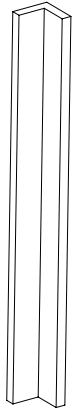
Painted/primed MDF

Product Code

XXXCURVEPLINTH

ASCOT PRODUCT INFORMATION

Internal Corner Post



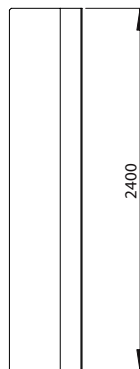
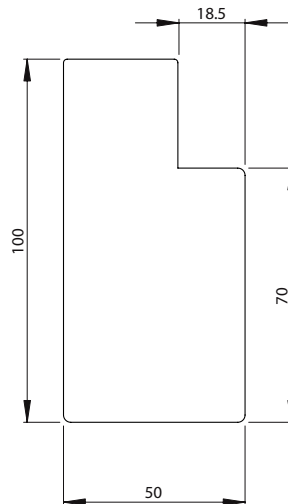
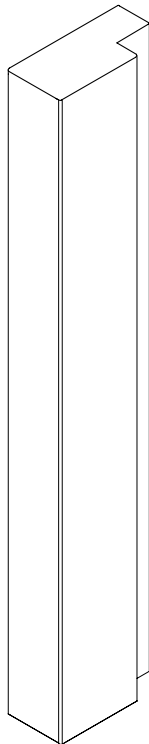
Product Information

Painted/primed MDF

Product Code

XXXCPSLAB

Straight End Pillar



Product Information

Painted/primed MDF

Product Code

XXXPILLAR

This item can be used in conjunction with an End Panel.