

Technical Guide



DOOR LIFT MECHANISMS

Release date:

July 2020

Please Note: The information shown in this literature is accurate as at the date of release shown but may be subject to changes after such date. Please therefore ensure that you are viewing the most current product available and check with us if you have any doubt about the suitability of the product or accuracy of the information shown.

IMPORTANT PLEASE NOTE:

The information contained in this literature is for illustrative purposes only to assist in choosing your desired kitchen. While we endeavour to keep the information up to date and correct we do not make any representations or warranties of any kind, express or implied, about the completeness, accuracy, reliability and suitability of the doors and products that appear in this literature.

We aim to showcase as many different items as possible and therefore some products have been installed and photographed purely to show as many of our product features as possible and they should not be taken as an example of how they are intended to be installed in real kitchen installations.

It is therefore the responsibility of the installer to check the corresponding manufacturer's installation information and the manufacturer's technical information to ensure this is up to date and to ensure that the products can be fitted in a way they are displayed and the products are suitable for your requirements.

We specifically exclude any liability in this regard unless the products are fitted in accordance with the specifications we supply and the manufacturer's installation recommendations are used in a way recommended by the manufacturer and in accordance with the manufacturer's technical information provided.

The information shown in this literature is accurate as at the date of print/release shown on such information but it may be subject to changes after such date. Please therefore ensure that you are viewing the most current product information available and check with us if you have any doubt about the suitability of the product or accuracy of the information shown.

We are proud that all our products that we sell are covered by a statutory warranty but this does not stop all our products naturally ageing overtime. As a result of this natural ageing process we are therefore unable to provide an identical colour finish to the existing products you have purchased from us with any products that we supply you from the same product line. In such event our liability will be limited to the purchase price paid for the product you are seeking to replace.

Due to the limitations on photographic reproduction, colours may differ slightly from the actual products shown. Please note that board matches listed with the doors are a suggestion only and better board matches may be available on the market. It is up to the individual to decide on its suitability.

Door Lift Mechanisms

Classic gas lift - product overview

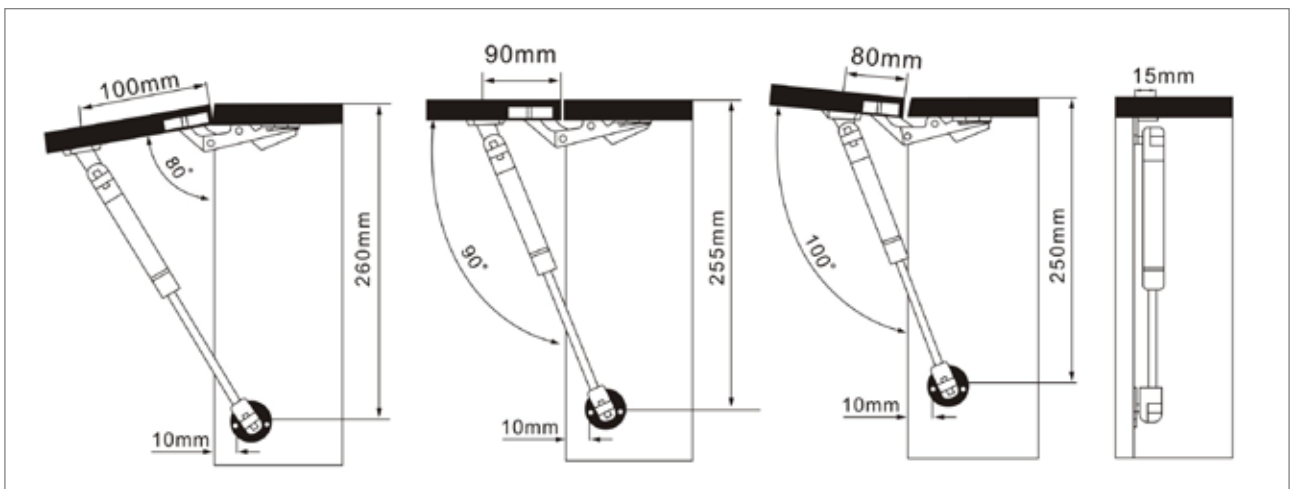
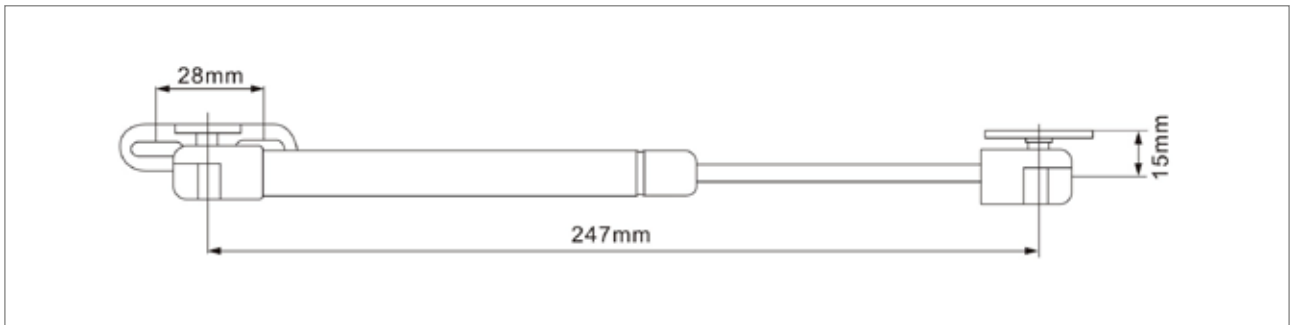
CLASSIC GAS LIFT

For Bridging Units

60N / 80N / 100N



| CODE | DOOR SIZE | WEIGHT CAPACITY |
|---------|---------------------------|-------------------|
| 15GAS01 | 355mm (h) up to 596mm (w) | Up to 6kg (60N) |
| 15GAS02 | 283mm (h) up to 996mm (w) | Up to 8kg (80N) |
| 15GAS03 | 355mm (h) up to 996mm (w) | Up to 10kg (100N) |



Drawings above are for 15GAS01 / 15GAS03 only and not 15GAS02.

NOTE: Please do not use lubricating or any other oils as it can interrupt the reaction of the gas lift mechanism.



Door Lift Mechanisms

Easi bi-fold - product overview

EASI

Bi-fold Door Lift System

| CODE | DOOR SIZE | CABINET SIZE | WEIGHT CAPACITY |
|------------|--------------------------------|-----------------------------|-----------------|
| 95HUWIL001 | 2 x 355mm (h), up to 596mm (w) | 720mm (h), up to 600mm (w) | 6.1 - 10.8kg |
| 95HUWIL002 | 2 x 355mm (h), up to 996mm (w) | 720mm (h), up to 1000mm (w) | 8.5 - 14.4kg |



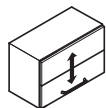
Features:

- Complete fitting set
- Time saving installation provided by plugs, pre-mounted euro screws and clip fixing for front panel
- For use in furniture in kitchens, living rooms, bathrooms and offices
- For two-piece wooden flaps, flap locks in any position (multi-position stop function)
- Assisted opening and soft closing
- Adjustable fitting
- Finger safe
- Min. 110° opening concealed hinges are required
- Weight capacity, total weight of 2 x doors and handle: 6.1-10.8kg (95HUWIL001) / 8.5-14.4kg (95HUWIL002)

One set consists of:

- 1x Pair Free Fold piston arms, nickel-plated steel with grey coloured plastic cover caps
- 2 x Brackets, for mounting piston arms, from frame width 45 mm, screw fixing, grey plastic
- 2/3 x Finger safe connecting hinges, for frame width 20 mm, with adjustment, screw fixing, nickel-plated zinc alloy
- Installation instruction

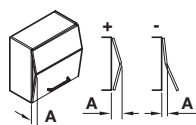
Adjustment facility



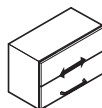
Height adjustment
±3 mm



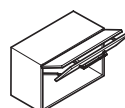
Holding power adjustment



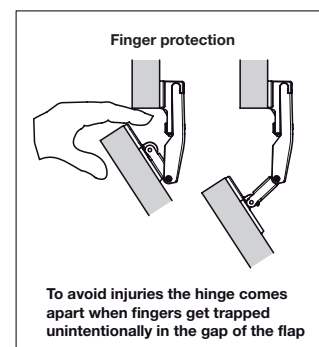
Centre pull adjustment



Side adjustment
± 3 mm



Opening angle adjustment

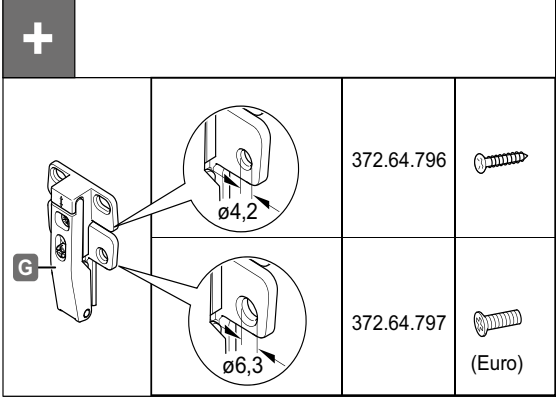
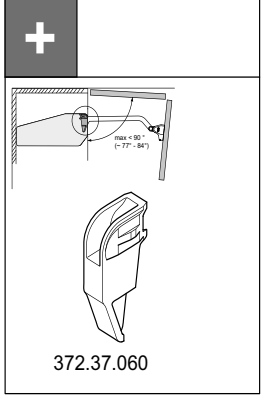
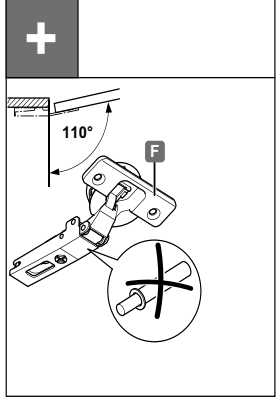
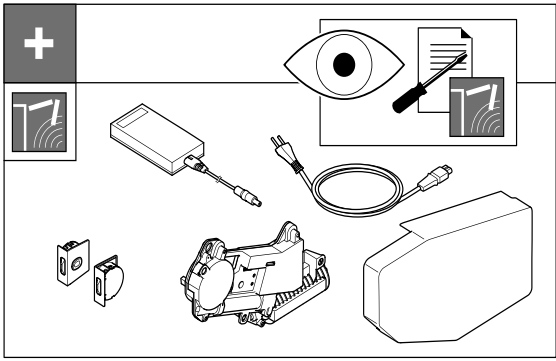
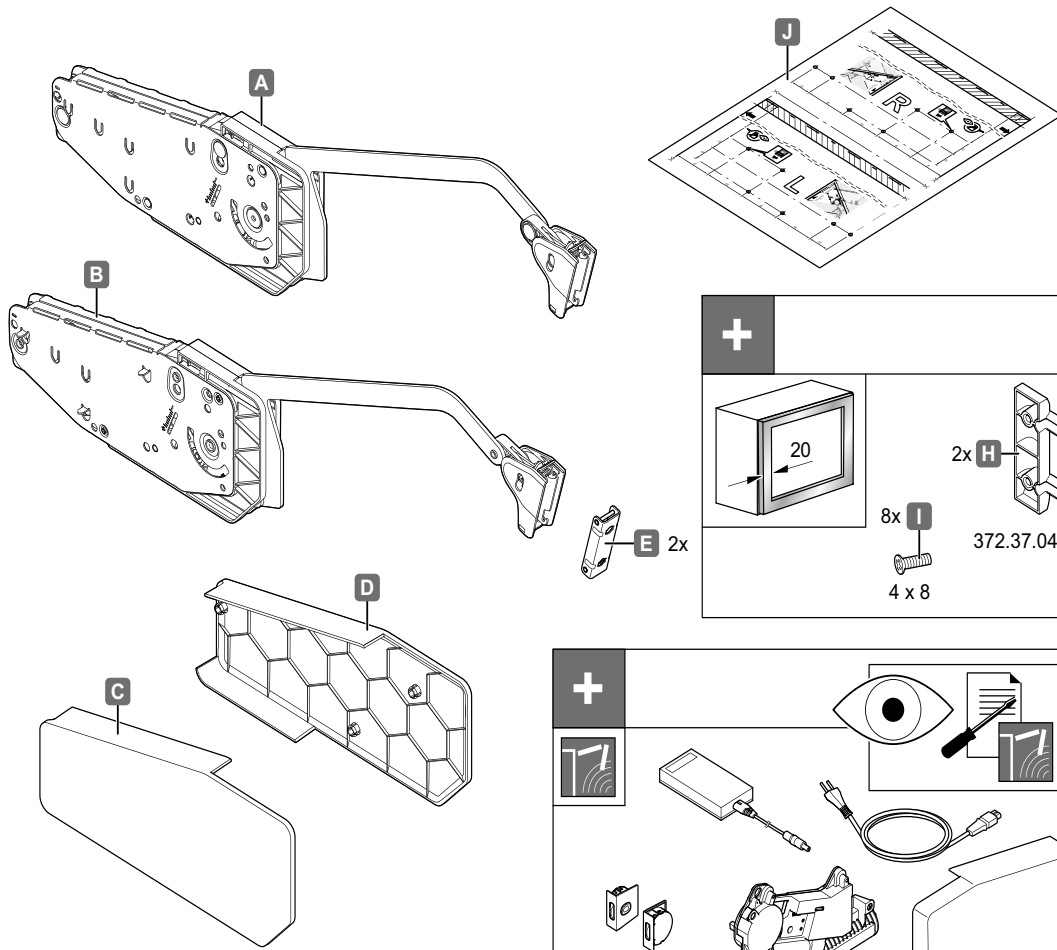


Door Lift Mechanisms

Easi - fitting instructions

Free fold short

372.38.XXX



732.23.035

12.0001.010.444.0000.00

HDE 09/2015



Door Lift Mechanisms

Easi - fitting instructions

i

„mm“

Y = 128

X = 133

$Y = (Q \times KH) - R - K = 128 \text{ internal}$

$X = KH - Y - S - (2 \times K) + A1 = 133$
 Bottom of door, 32 from edge

| | β [°] | Q | R | S | T | U | V | W | |
|--|----------|---------|-----|-----|-----|--------|---------|---------|---------|
| | 720 | ~108-95 | 1,2 | 736 | 439 | 136-46 | 161-233 | 250-219 | 439-500 |

732.23.035


 12.0001.010.444.0000.00

 HDE 09/2015


Door Lift Mechanisms

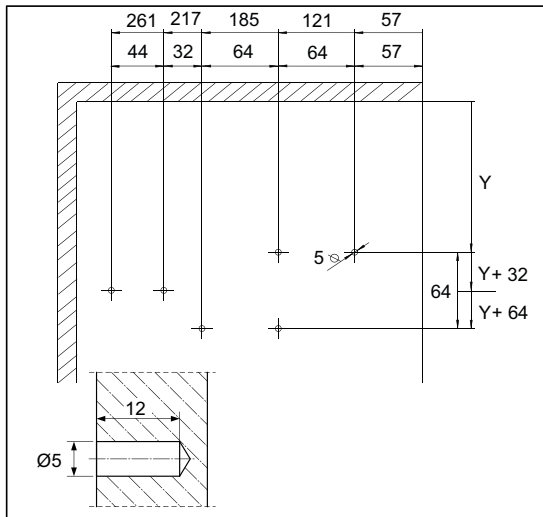
Easi - fitting instructions

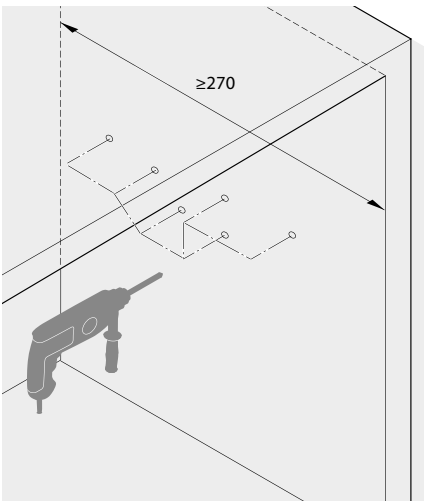
1




5 mm






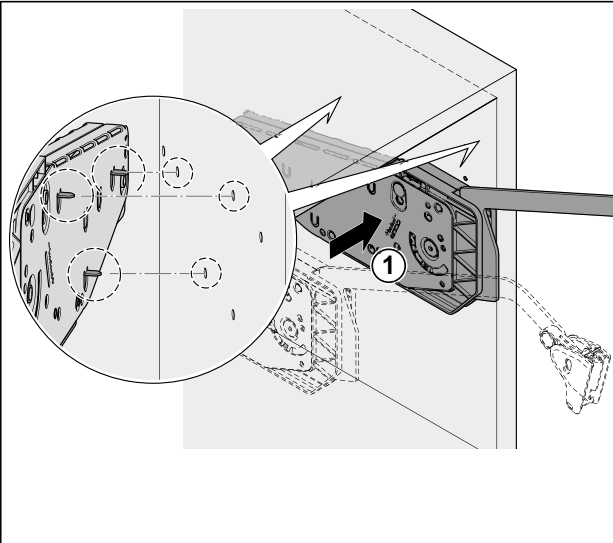




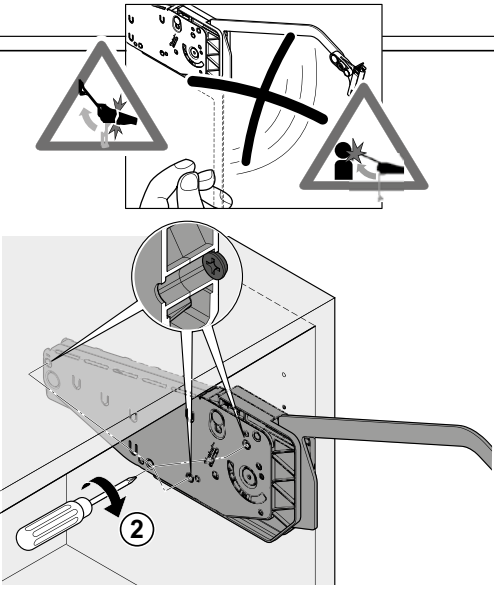
2



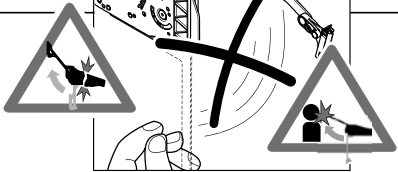
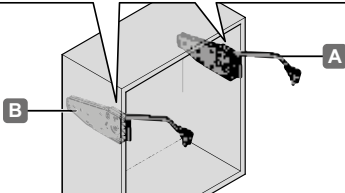
PZ 2



1



2

732.23.035

12.0001.010.4444.0000.00

HDE 09/2015

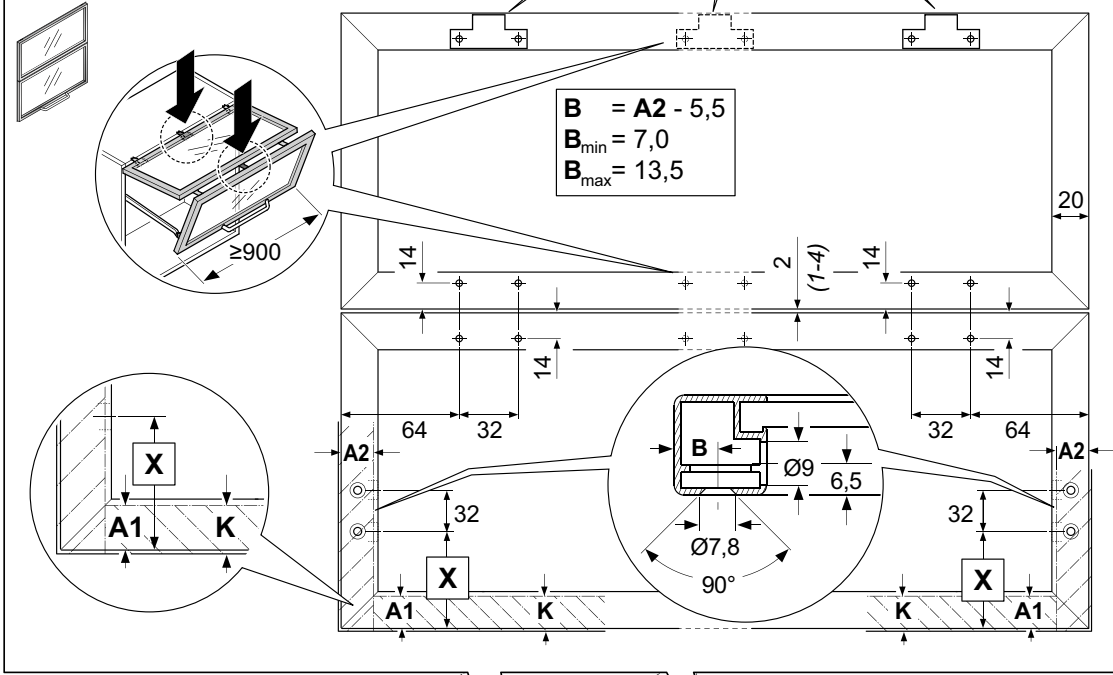
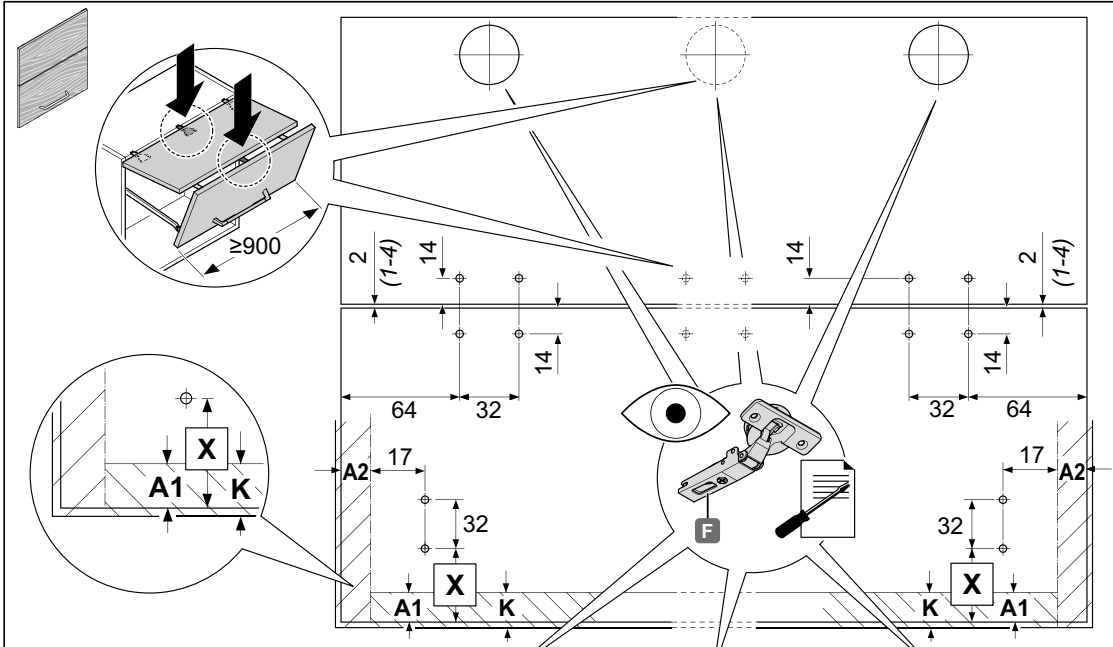


Door Lift Mechanisms

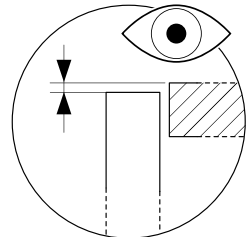
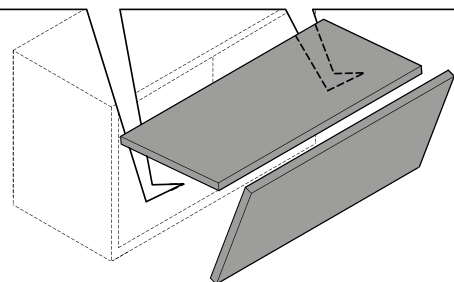
Easi - fitting instructions

3

mm



$$X = KH - Y - S - (2 \times K) + A1$$



732.23.035

12.0001.010.444.0000.00

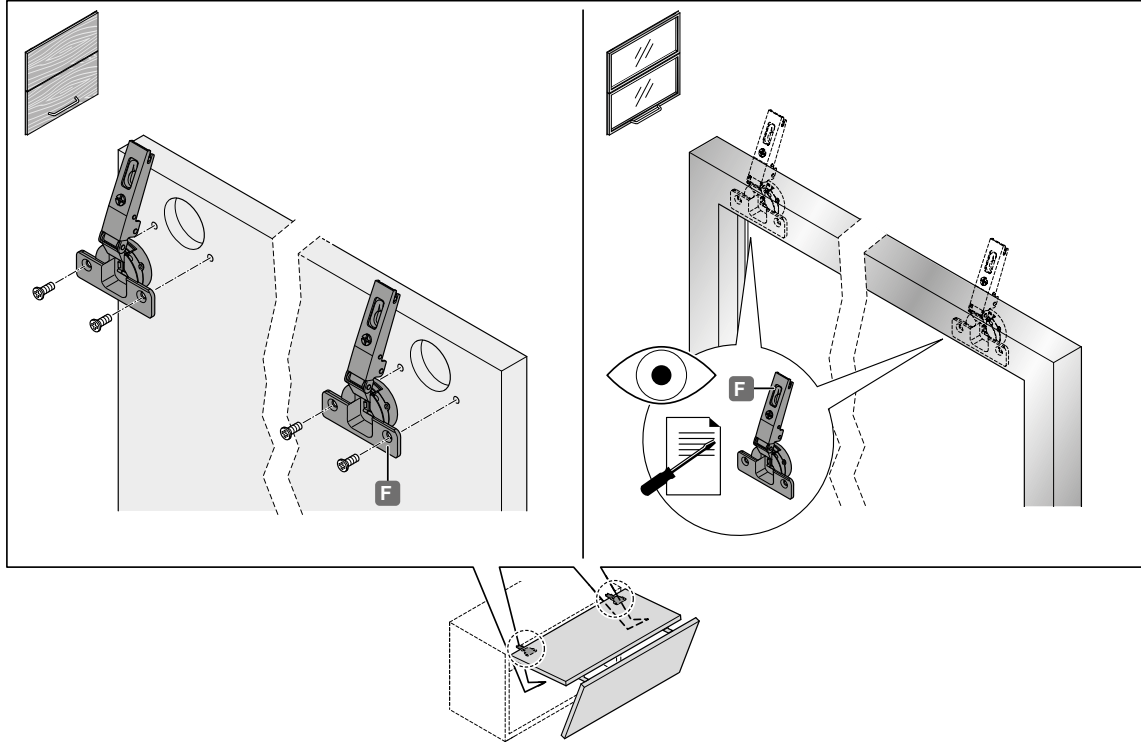
FDE 09/2015



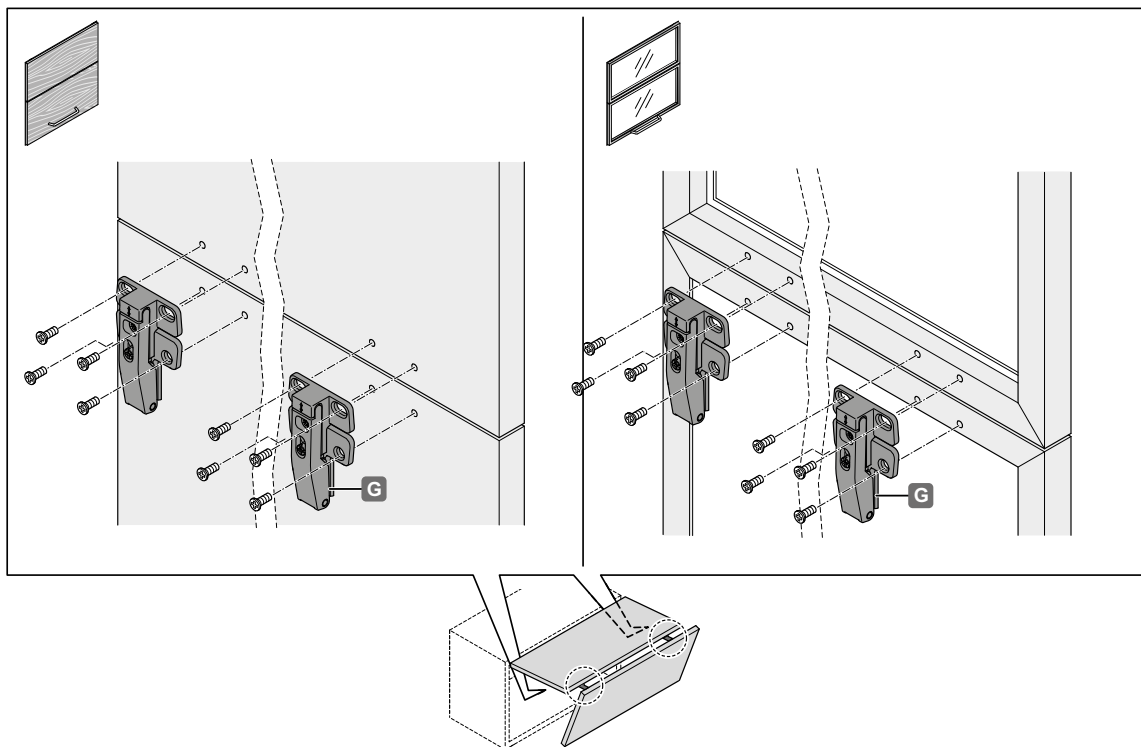
Door Lift Mechanisms

Easi - fitting instructions

4



5



732.23.035

12.0001.010.444.0000.00

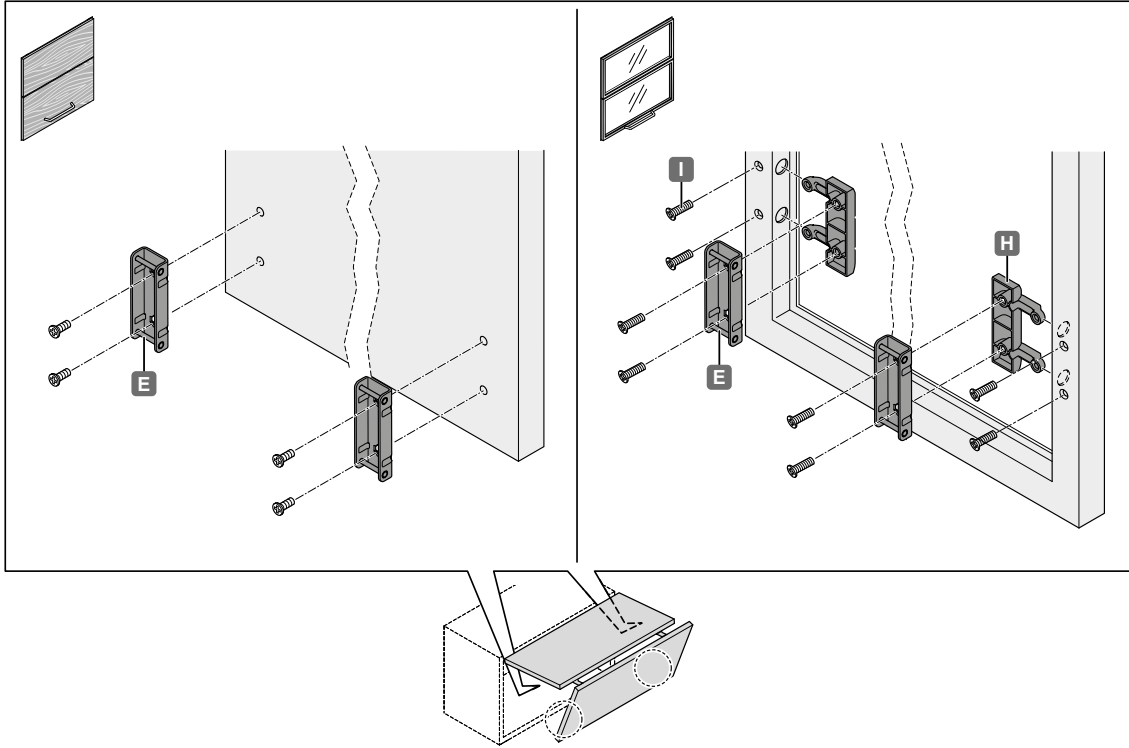
HDE 09/2015



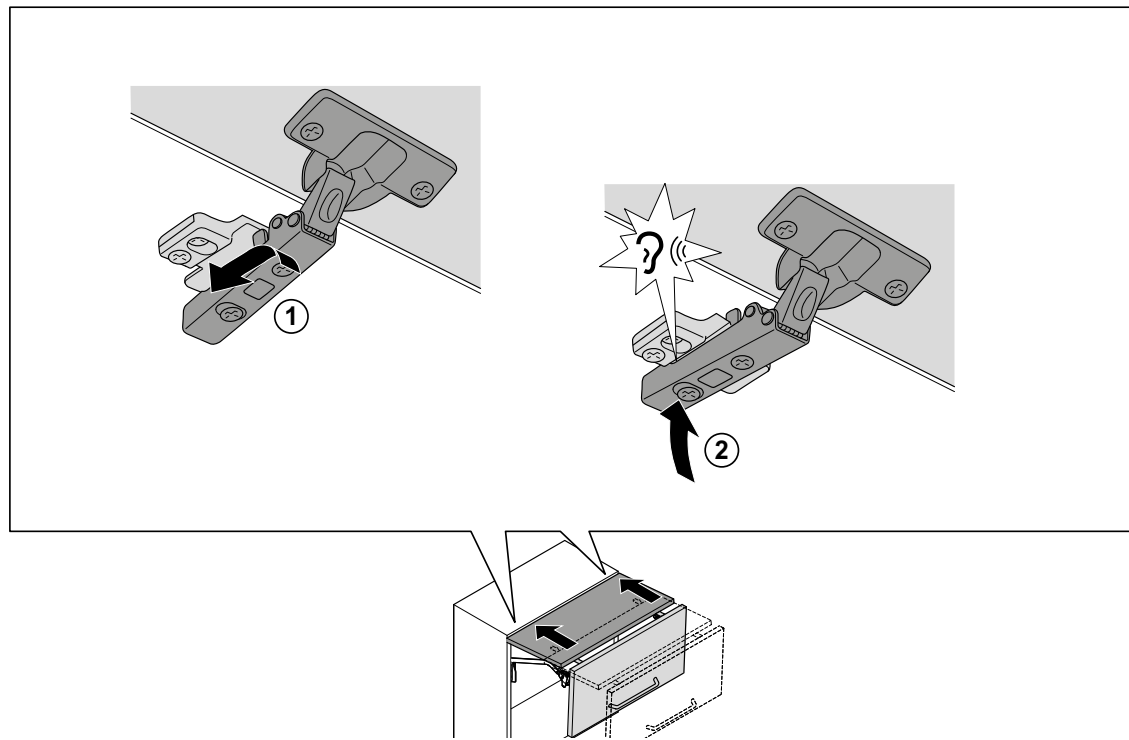
Door Lift Mechanisms

Easi - fitting instructions

6



7



732.23.035

12.0001.010.444.0000.00

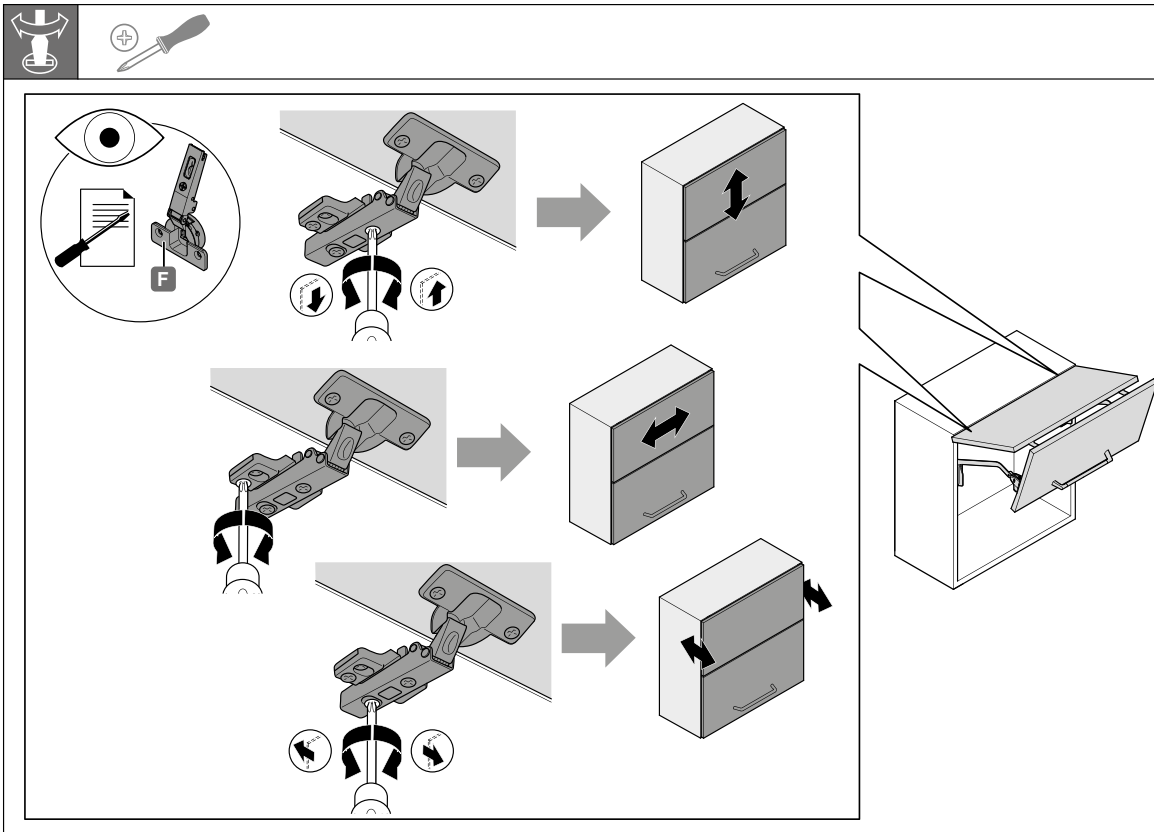
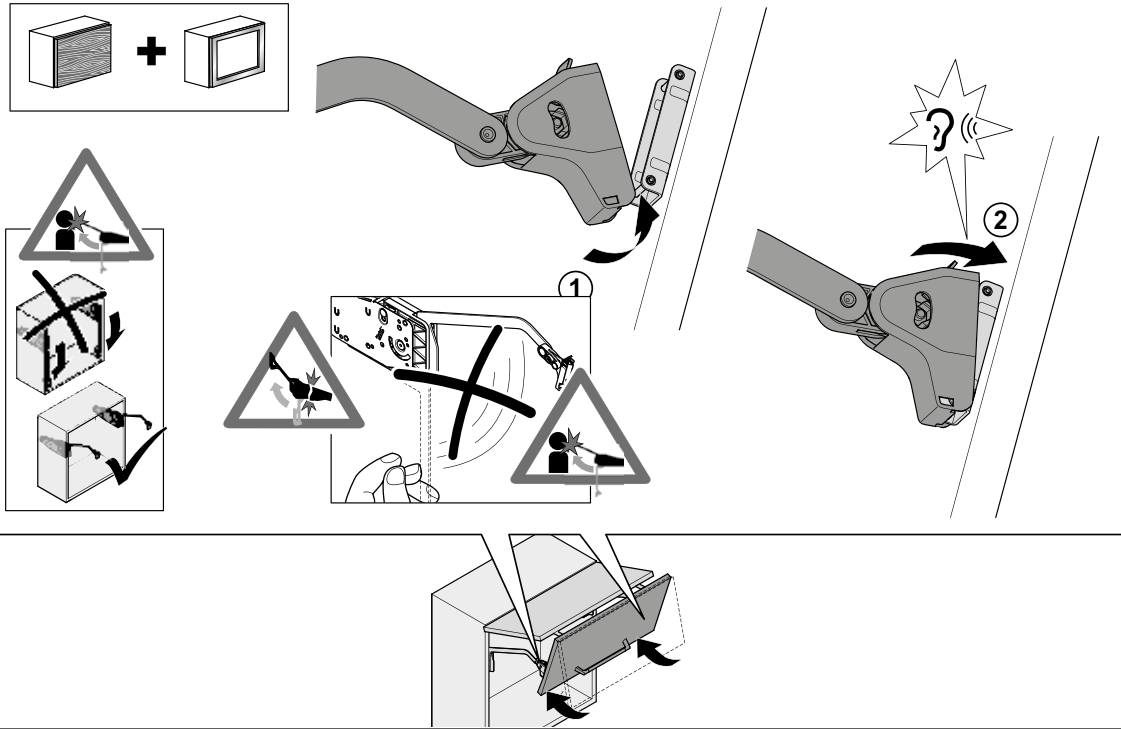
HDE 09/2015



Door Lift Mechanisms

Easi - fitting instructions

8



732.23.035

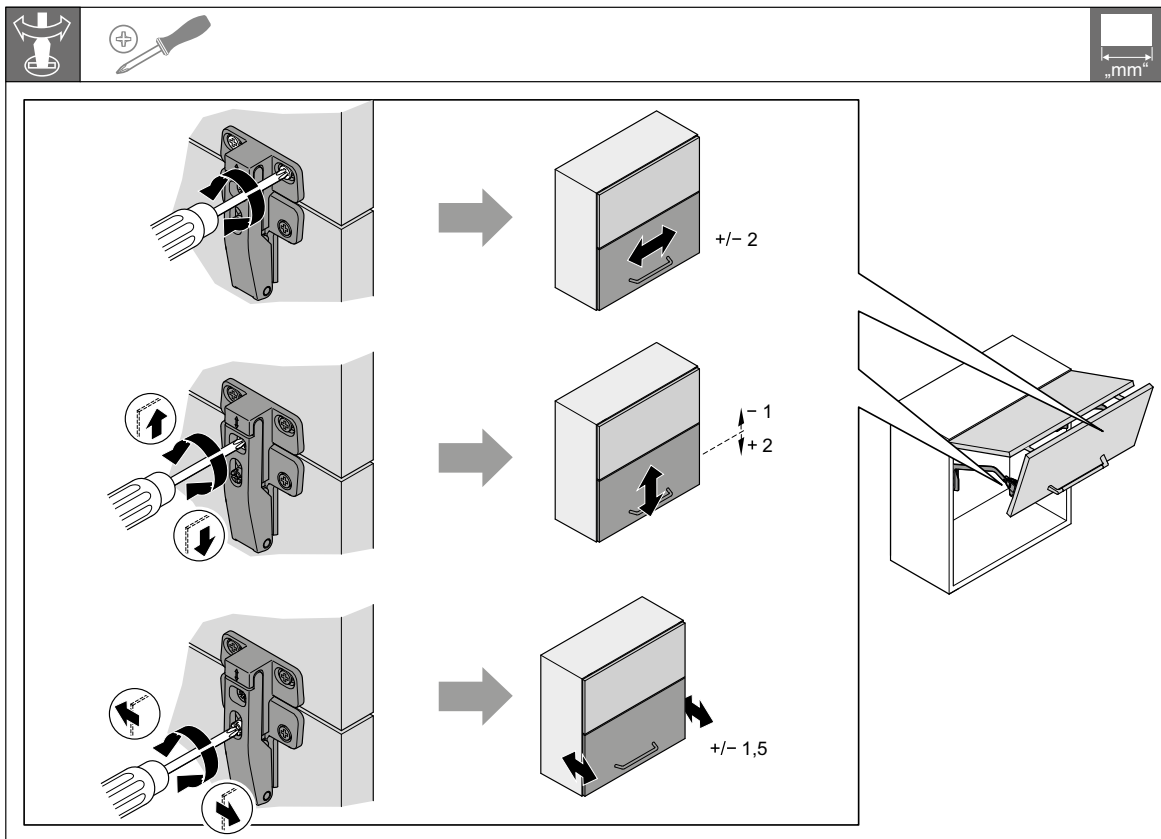
12.0001.010.444.0000.00

HDE 09/2015

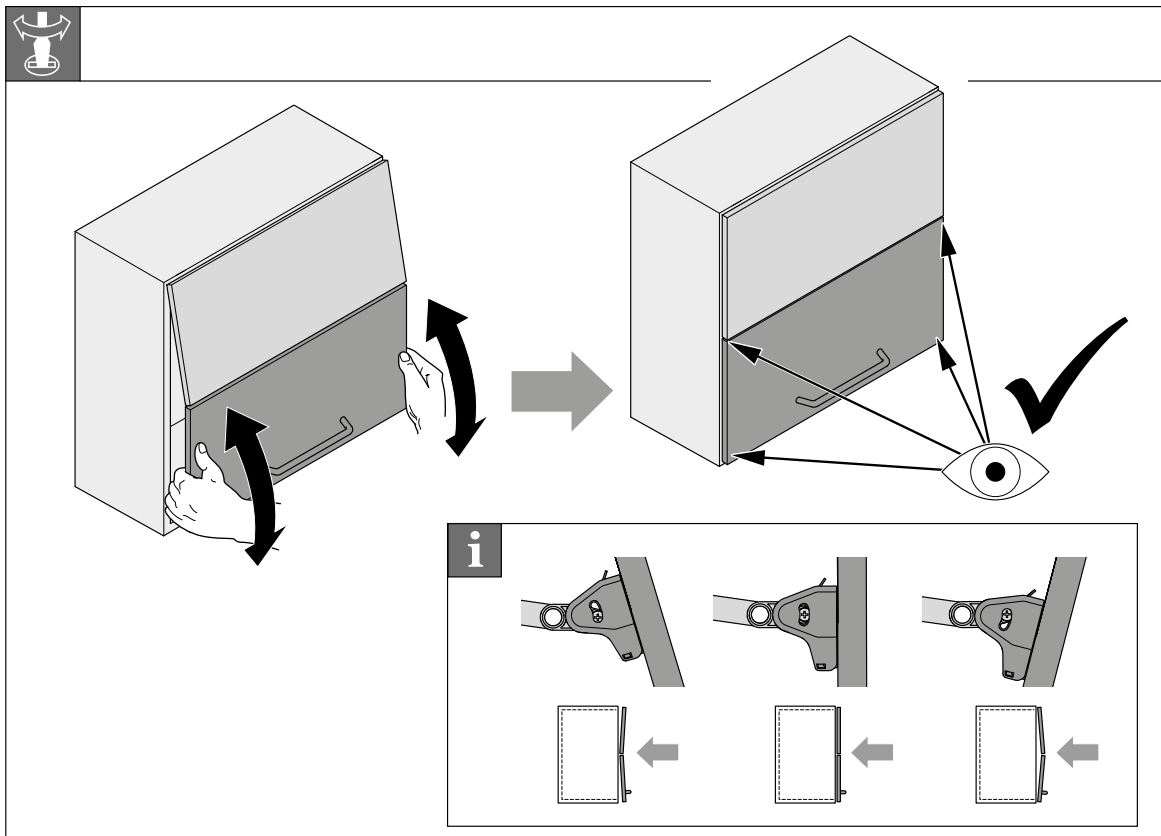


Door Lift Mechanisms

Easi - fitting instructions



732.23.035



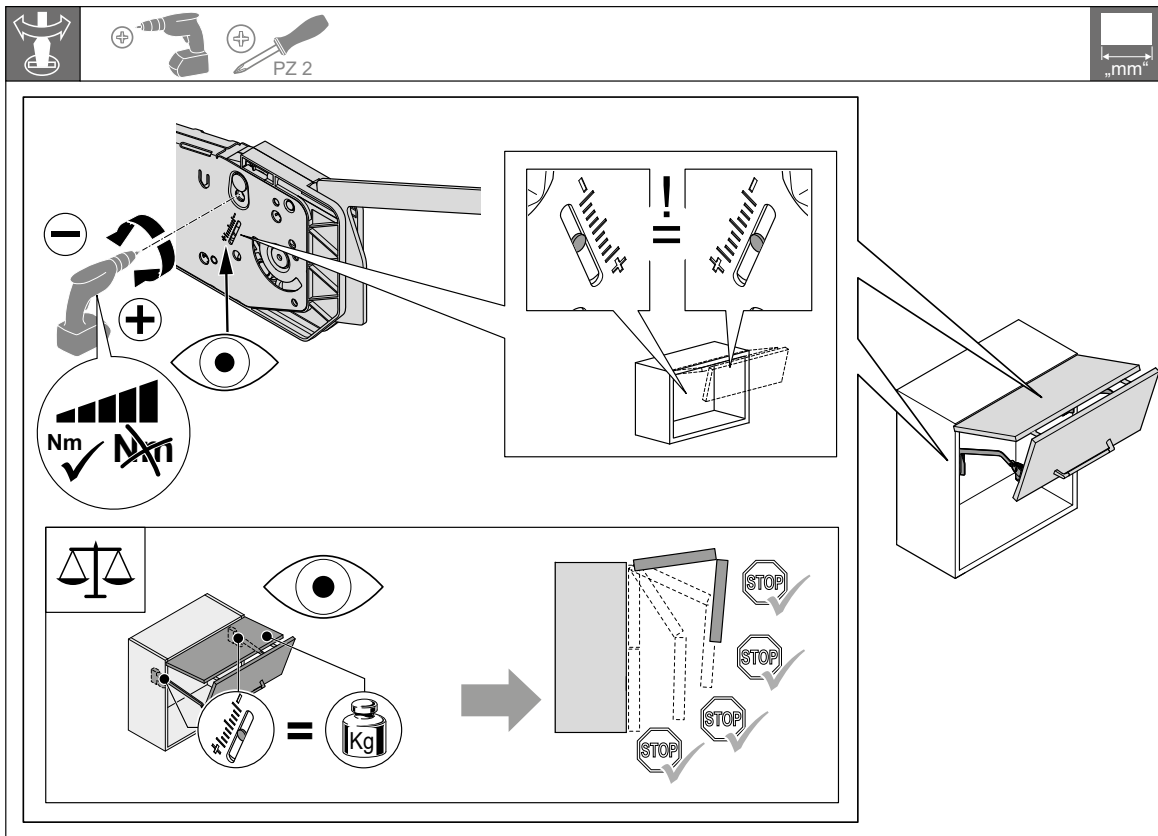
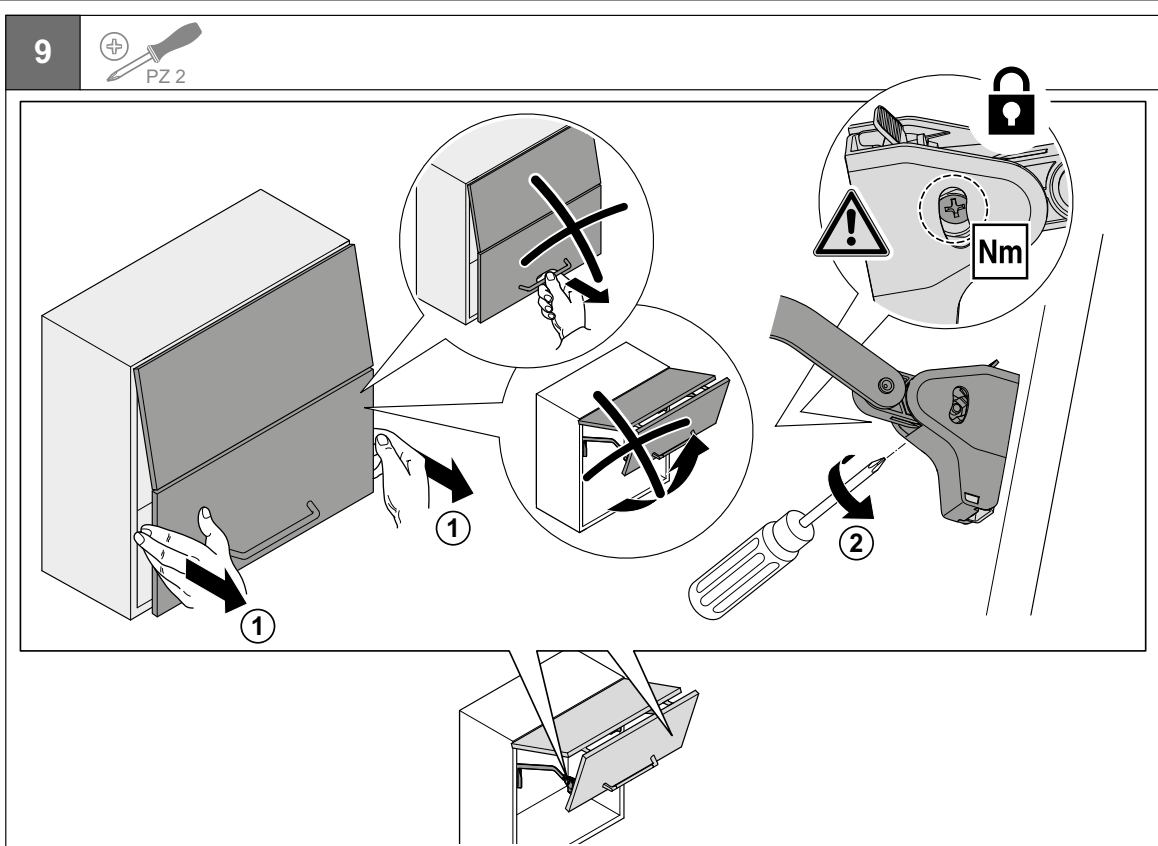
12.0001.010.444.0000.00

HDE 09/2015



Door Lift Mechanisms

Easi - fitting instructions



732.23.035

12.0001.010.444.0000.00

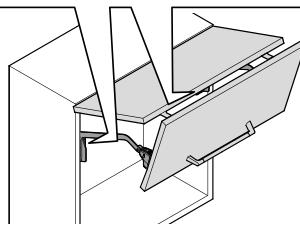
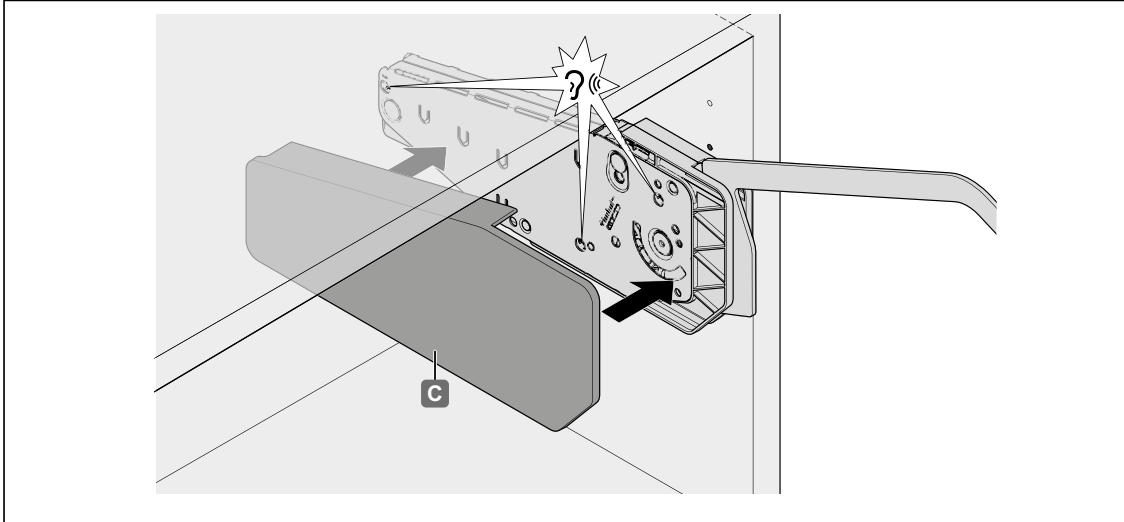
HDE 09/2015



Door Lift Mechanisms

Easi - fitting instructions

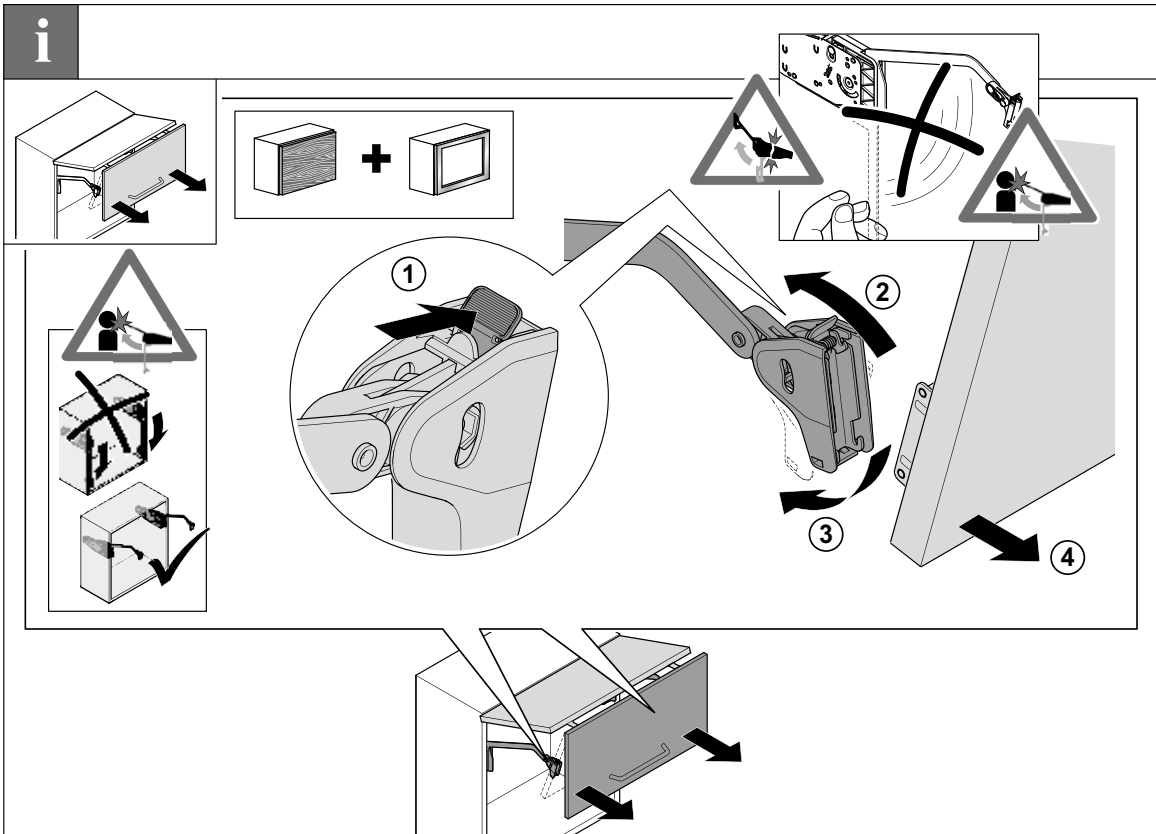
10



732.23.035

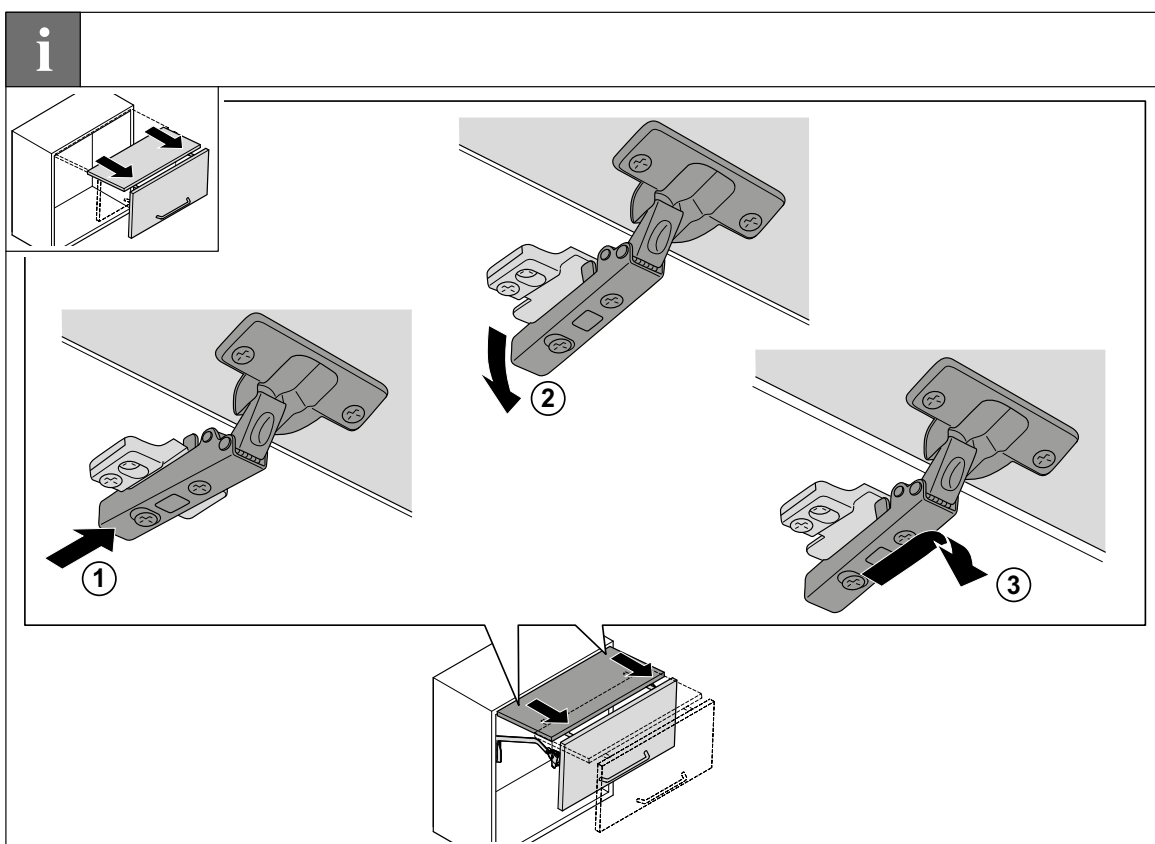
12.0001.010.444.0000.00

HDE 09/2015



Door Lift Mechanisms

Easi - fitting instructions



732.23.035

12.0001.010.444.0000.00

HDE 09/2015

